

**INSTALLATION INSTRUCTIONS
FOR
MODEL 454218 HIGHLIGHTER™ FLAT MOUNTING BRACKETS**

SAFETY MESSAGE TO INSTALLERS AND USERS



People's lives depend on your safe installation of our products. It is important to read, understand and follow all instructions shipped with this product. In addition, listed below are some other important safety instructions and precautions you should follow:

- **To properly install this kit: you must have a good understanding of automotive electrical procedures and systems, along with proficiency in the installation and use of safety warning equipment.**
- **When drilling into a vehicle structure, ensure that both sides are clear of anything that could be damaged.**
- **Refer to instruction sheet packed with light system for proper electrical connections.**
- **Remove all burrs from drilled holes.**
- **You should frequently inspect the light system and mounting to ensure that they are securely attached to the mounting surface.**
- **File these instructions in a safe place and refer to them when maintaining and/or reinstalling the product.**

Failure to follow all safety precautions and instructions may result in property damage, serious injury, or death to you or others.

I. GENERAL.

The Model 454218 mounting bracket enables a Highlighter Solaris LED to be mounted to flat surfaces where access to the mounting location from beneath is difficult.

II. UNPACKING.

After unpacking the kit, carefully check that the parts shown in the kit contents list are contained in the packing bag.

III. KIT CONTENTS LIST.

Qty.	Description	Part No.
2	Bracket	8560104

IV. INSTALLATION.

- A. Determine the mounting location for the light.
- B. Attach each of the brackets to the bottom of the Highlighter as shown in figure 1. Use the hardware supplied with the Highlighter
- C. Using the lightbar with brackets installed as a template, mark 4 locations for the mounting holes. The pattern will be 12.05" X 9".
- D. Select installer supplied hardware appropriate for the particular installation. The holes in the bracket are .280" diameter. Drill two holes sized for the selected hardware at the marked locations.
- E. Secure the lightbar to the mounting surface using the installer supplied mounting hardware.
- F. Continue installing the lightbar according to its included instruction sheet.

Copyright 2006 Federal Signal Corporation

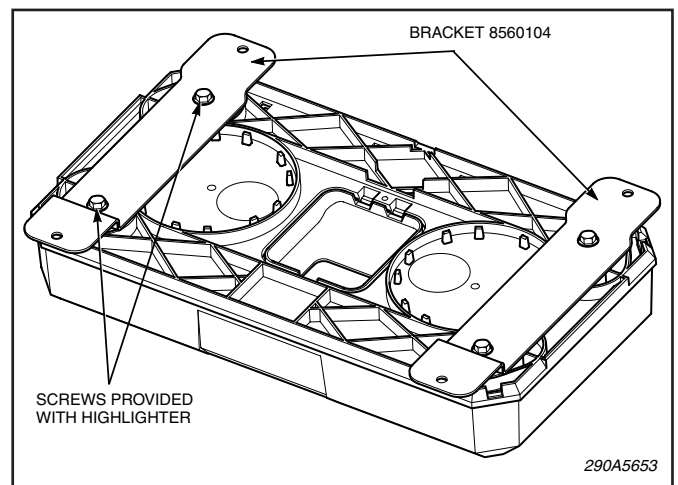


Figure 1.