

**INSTALLATION INSTRUCTIONS
FOR
MODEL 454217 RAISED HIGHLIGHTER™ MOUNTING BRACKET**

SAFETY MESSAGE TO INSTALLERS AND USERS



People's lives depend on your safe installation of our products. It is important to read, understand and follow all instructions shipped with this product. In addition, listed below are some other important safety instructions and precautions you should follow:

- To properly install this kit: you must have a good understanding of automotive electrical procedures and systems, along with proficiency in the installation and use of safety warning equipment.
- When drilling into a vehicle structure, ensure that both sides are clear of anything that could be damaged.
- Refer to instruction sheet packed with light system for proper electrical connections.
- Remove all burrs from drilled holes.
- You should frequently inspect the light system and mounting plate to ensure that they are securely attached to the mounting surface.
- File these instructions in a safe place and refer to them when maintaining and/or reinstalling the product.

Failure to follow all safety precautions and instructions may result in property damage, serious injury, or death to you or others.

I. GENERAL.

The Model 454217 mounting bracket enables a HighLighter to be mounted to narrow, square tubing, such as that found on ladder racks or cab protectors. It also provides an additional 2" of lift to clear features of the truck body that might obstruct the warning signal.

II. UNPACKING.

After unpacking the kit, carefully check that the parts shown in the kit contents list are contained in the packing bag.

III. KIT CONTENTS LIST.

Qty.	Description	Part No.
1	Bracket, lift	8560103

IV. INSTALLATION.

See figure 1 and proceed as follows:

- A. Determine the mounting location for the light.
- B. Using the bracket as a template, mark two locations for the mounting holes. They are 7" apart.
- C. Select installer supplied hardware appropriate for the particular installation. The holes in the bracket are .40" diameter. Drill two holes sized for the selected hardware at the marked locations.
- D. Secure the bracket to the mounting surface using the installer supplied mounting hardware.
- E. Using the mounting hardware provided with the Highlighter Mini Bar, secure the light to the bracket. There are two sets of holes, one for the halogen and strobe versions of the Highlighter and another for the Highlighter Solaris LED.
- F. Continue installing the lightbar according to its included instruction sheet.

Copyright 2006 Federal Signal Corporation

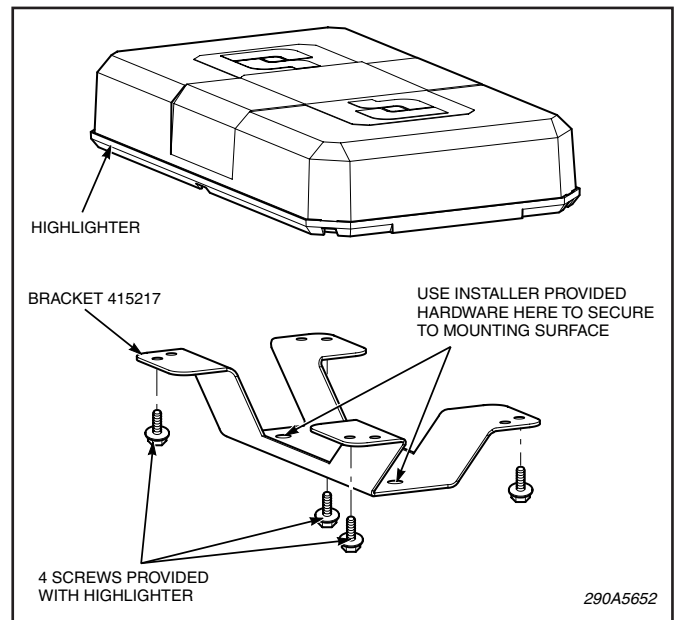


Figure 1.