

**INSTRUCTIONS FOR  
BACK LIGHTING REPLACEMENT  
IN SW200, SW300, SW400 12-VOLT SWITCH MODULES**

**SAFETY MESSAGE TO INSTALLERS**

**⚠ WARNING**

People's lives depend on your safe installation of our products. It is important to read, understand and follow all instructions shipped with the products. In addition, listed below are some other important safety instructions and precautions you should follow:

- To properly install the equipment described in this instruction sheet: you must have a good understanding of automotive electrical procedures and systems, along with proficiency in the installation and use of safety warning equipment.
- **DO NOT** install equipment or route wiring in the deployment path of an air bag.
- When drilling into a vehicle structure, be sure both sides of the surface are clear of anything that could be damaged.
- File these instructions in a safe place and refer to them when maintaining and/or reinstalling the product.

**Failure to follow all safety precautions and instructions may result in property damage, serious injury, or death to you or others.**

**A. GENERAL.**

This kit is intended to replace the backlighting of Federal Signal's 12V SW family switch modules. Included are the required pieces of hardware, drill templates and replacement light assembly.

**B. UNPACKING.**

After unpacking the kit, inspect it for damage that may have occurred in transit. If the pieces have been damaged, do not attempt to install or operate them. File a claim with the carrier, stating the extent of damage. Carefully check all envelopes, shipping la-

bels and tags before removing or destroying them. Ensure that the parts listed in the KIT CONTENTS LIST are included in the package.

**C. KIT CONTENTS LIST.**

Qty	Description	Part No.
1	Lamp, green	149A121
1	Butt connector, 16-14 ga.	224A213-02
1	Lamp holder	288815
2	Pop rivet	7099A103-15

**D. INSTALLATION.**

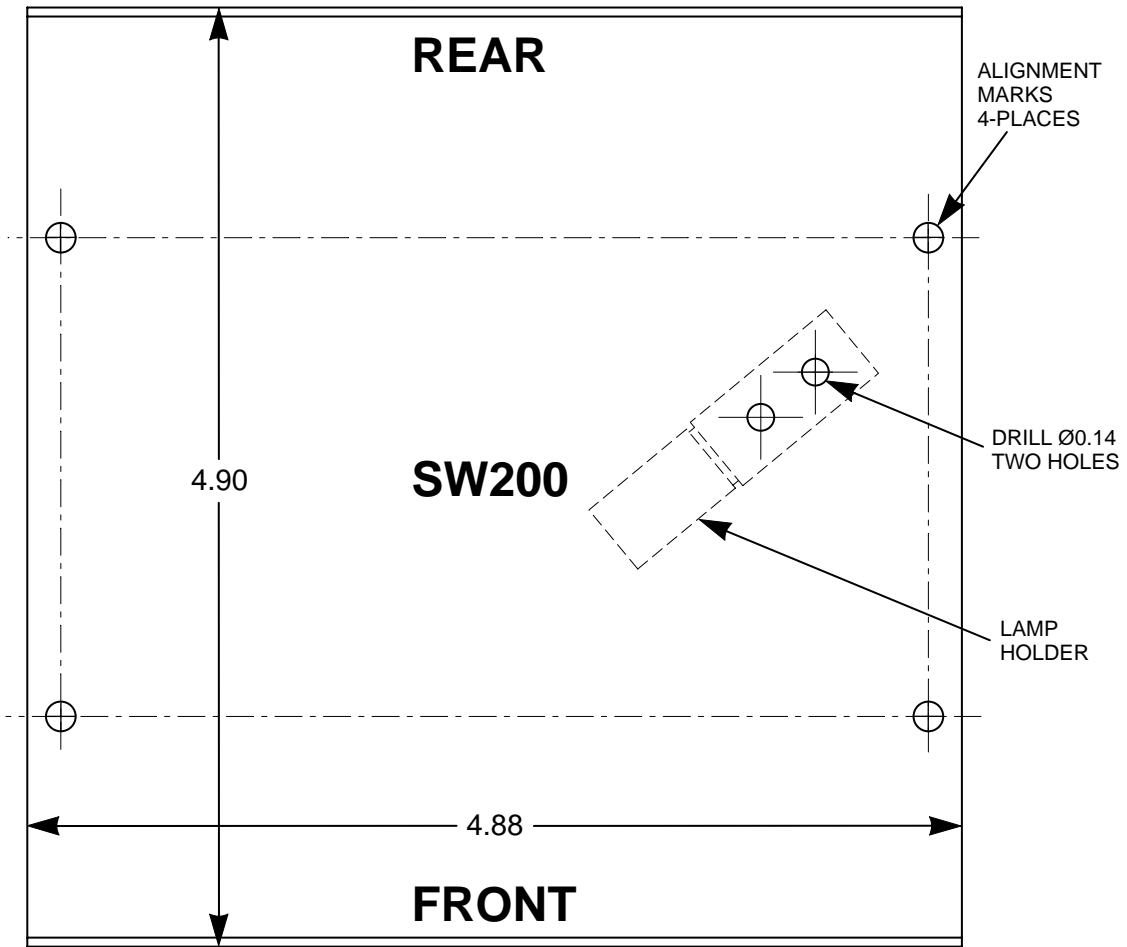
1. Disconnect power from switch module and wait five minutes before opening unit.
2. Remove cover of switch module. Refer to directions supplied with switch module.
3. Remove existing backlighting assembly.
4. Cut out appropriate drill template for switch module being retrofitted.
5. Lay template on top of unit. Orient the template using specified mounting holes and mark two drill center marks as noted.

**CAUTION**

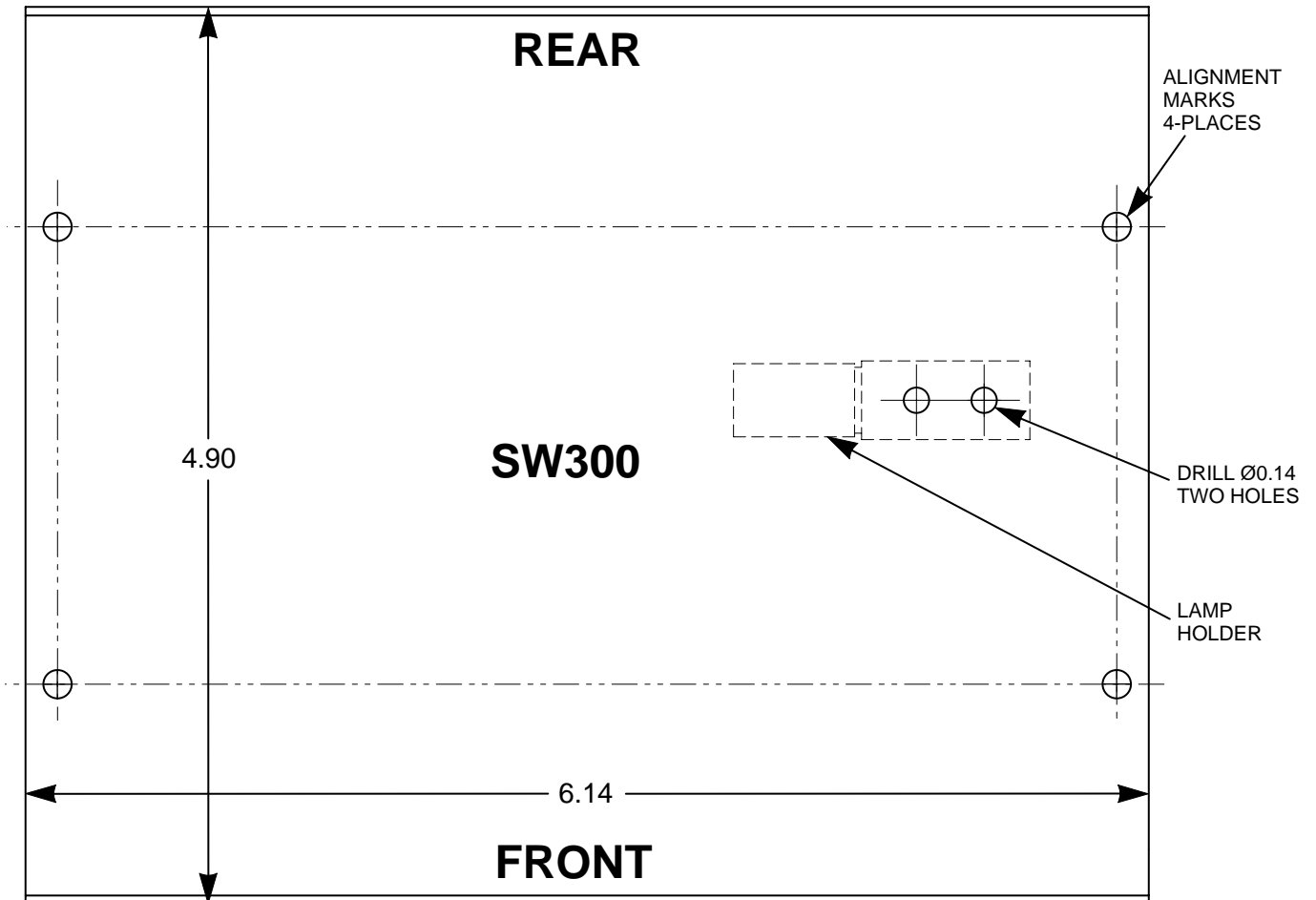
When drilling holes take appropriate precaution to ensure that items inside the unit will not be damaged.

6. Drill two 0.140 (approx 9/64) diameter holes at drill center marks.
7. Attach the lamp holder to the inside of the cover using the supplied revits.
8. Route red lead on lamp holder out the rear of the unit. Connect the black lead to the black ground wire used on the old back lighting assembly using supplied butt connector.
9. Reassemble the unit and test for proper operation. Refer to instructions packaged with the unit for proper operation.

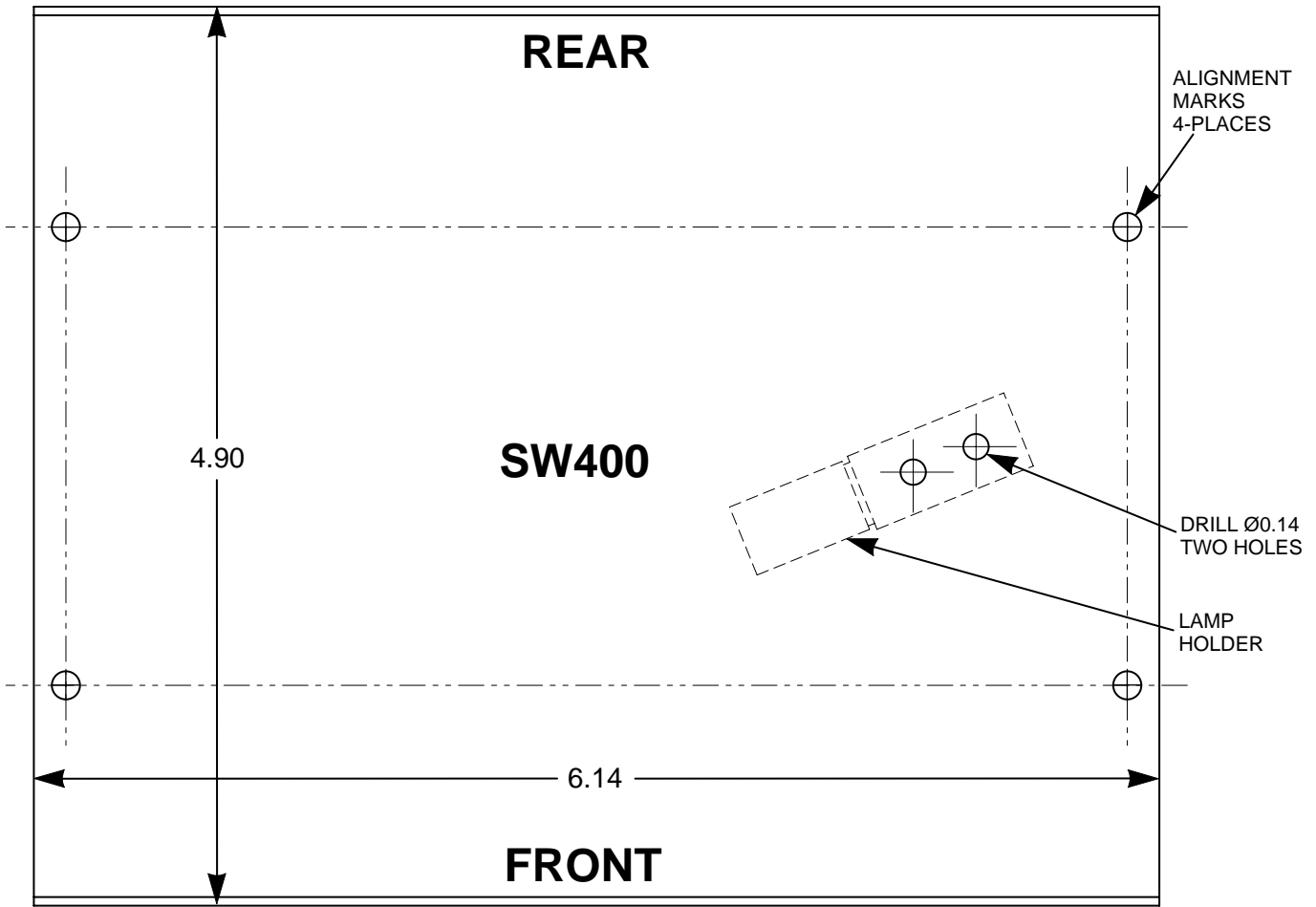




290A5297



290A5298



290A5299