



FEDERAL SIGNAL
Safety and Security Systems



Federal Signal E1 EX Explosion-Proof Digital Intercom Station

**ATEX and IECEx
Certified**



Handset Model E1-HND-EX shown

Installation and Maintenance Instructions

25500090
Rev. A2 1018
Printed in U.S.A.

Limited Warranty

This product is subject to and covered by a limited warranty, a copy of which can be found at www.fedsig.com/SSG-Warranty. A copy of this limited warranty can also be obtained by written request to Federal Signal Corporation, 2645 Federal Signal Drive, University Park, IL 60484, email to info@fedsig.com or call +1 708-534-3400.

This limited warranty is in lieu of all other warranties, express or implied, contractual or statutory, including, but not limited to the warranty of merchantability, warranty of fitness for a particular purpose and any warranty against failure of its essential purpose.



FEDERAL SIGNAL
Safety and Security Systems

2645 Federal Signal Drive
University Park, Illinois 60484-3167

www.fedsig.com

Customer Support

800-548-7229 • +1 708 534-3400

Technical Support

800-524-3021 • +1 708 534-3400

Contents

Safety Messages to Installers and Users	5
Overview of the Federal Signal E1 EX	6
Certifications	8
Special Conditions for Safe Use	8
Unpacking the Product	9
Mounting and Wiring the Federal Signal E1 EX	9
Safety Messages to Maintenance Personnel	11
Ordering Replacement Parts	11
Getting Repair Service or Technical Assistance	12
Returning the Product for Credit	12

Tables

Table 1 Product specifications	7
---	---

Figures

Figure 1 Dimensions.....	9
Figure 2 Wiring diagram	10

Safety Messages to Installers and Users

⚠ WARNING

It is important to follow all instructions shipped with this product. This device is to be installed by trained personnel who is thoroughly familiar with the country electric codes and will follow these guidelines as well as local codes.

The selection of mounting location for the device, its controls and the routing of the wiring is to be accomplished under the direction of the facilities engineer and the safety engineer. In addition, listed below are some other important safety instructions and precautions you should follow:

Read and understand all instructions before installing or operating this equipment.

- Disconnect intercom from the power supply before any installation or maintenance is performed.
- Power is only to be provided from the Central Control. This intercom is not for stand-alone use.
- After installation, test the unit to ensure that it is operating properly.
- After testing is complete, provide a copy of these instructions to all operating personnel.
- This equipment is suitable for use in ATEX Zone 1 applications.
- Establish a procedure to routinely check the intercom installation for integrity and proper operation.
- The product nameplate, which may contain cautionary or other information of importance to maintenance personnel, should not be obscured in any way.

Failure to follow all safety precautions and instructions may result in property damage, serious injury, or death.

Overview of the Federal Signal E1 EX

Federal Signal E1 EX Intercom Stations provide safe and efficient two-way voice communications ECHO Digital Intercom Systems. The E1 EX is ATEX and IECEx certified for use in areas requiring explosion-proof equipment. The E1 EX station provides instantaneous high-speed connections and clear, crisp digital voice quality. Each station offers single-button all call, priority emergency paging, group paging, speed dial, conference call, and relay output.

The E1 EX station keypad is designed to provide tactile and audible feedback via an external powered speaker for positive activation.

Any station can call any one or more stations in an ECHO Digital Intercom System. With the headset or gooseneck microphone options, each is capable of hands-free voice communication. Because the ECHO Digital Central Exchange provides 30 channels of simultaneous communication, calls are processed and connected immediately without dial tone or delay.

Each E1 EX station comprises a stainless steel enclosure containing a printed circuit board assembly providing the communications and safety functions. A relay output module is provided as a standard feature. The relay operates when the intercom is in Ring Mode. A single normally-open contact is provided with, which is rated at 3 A at 240 Vac.


Each station may be programmed for four levels of privacy for receiving calls: non-private, semi-private, full privacy, and do-not-disturb. The volume for voice and signal levels is easily adjusted on the keypad.

The E1 EX Intercom stations must be powered from an ECHO Central Control. The data/power is supplied from the Central Control line cards. For full operational details of the ECHO system, refer to the instructions provided with the Central Control.

Table 1 Product specifications

Operating voltage:	24 Vdc nominal (line driven from ECHO control)
Current idle:	25 mA
Current connected:	100 mA max.
Handset microphone type:	Dynamic
Handset material:	Moulded polyurethane anti-static
Handset cord:	Polyurethane
Stubby microphone type:	Dynamic
Stubby microphone sensitivity:	-54 dBA
Stubby microphone enclosure:	Stainless steel
Audio output:	2.7 Vrms, 1 k Ω load
Volume control via keypad:	30 dBA in 10 steps
Line attenuation:	24 dBA at KBps Max
Loop resistance	170 Ω max.
Distance:	1.2 miles 2.0 kms max.
Cable:	One twisted pair, non-shielded
Cable entries:	3 x M20
Operating temperature range:	-40°C to +65°C
Termination:	DIN rail mount tensioned clamp terminals
Relay switching capacity:	3 A at 240 Vac
Net weight:	11.4 kg
Shipping weight:	13.6 kg
Shipping dimensions:	524 mm x 359 mm x 346 mm

Certifications

Models:	E1-SM-EX, E1-GM1-EX, E1-GM2-EX, E1-GM3-EX, E1-HND-EX, E1-JS-EX
Certificate nos.:	ATEX Cert No.: Demko 13 ATEX 1213079X IECEX Cert No.: IECEX UL 13.0028X
ATEX coding:	 II 2 G
Protection:	Ex d ib IIB T4 Gb (-40°C ≤ Ta ≤ +65°C) Ex d [ib] IIB T4 Gb (for Model E1-JS-EX)
Standards:	EN IEC 60079-0: 2018, EN 60079-1: 2014, EN 60079-11:2012 IEC 60079-0: 7 th Ed., IEC 60079-1: 7 th Ed., IEC 60079-11: 6 th Ed.
I.S. ratings	Um = 250 V (Additionally, for Model E1-JS-EX, refer to control drawing 850000218A.)

Special Conditions for Safe Use

- This device uses M20 x 1.5 cable entries.
- All cable entry devices and blanking elements shall be certified in type of explosion protection flameproof enclosure “d” suitable for the conditions of use and correctly installed.
- Unused apertures shall be closed with suitable blanking elements.
- For ambient temperatures below -10°C and above +60°C, use field wiring suitable for both minimum and maximum ambient temperature.
- All conduit runs must have a properly certified sealing fitting connected within 2 inches (51 mm) of the enclosure.
- **Warning:** Do not open when an explosive atmosphere may be present.
- **Warning:** Do not open when energized.
- Flamepath joint differs from Table 2 of EN 60079-1. The Adalet XCEX S6393 060804 enclosure has a joint width of 37 mm, maximum allowable gap of 0.038 mm. The distance “I” of 22.6 mm is measured from the edge of the O-ring

groove to the edge of the cover bolt per Figures 3 and 5 of EN 60079-1.

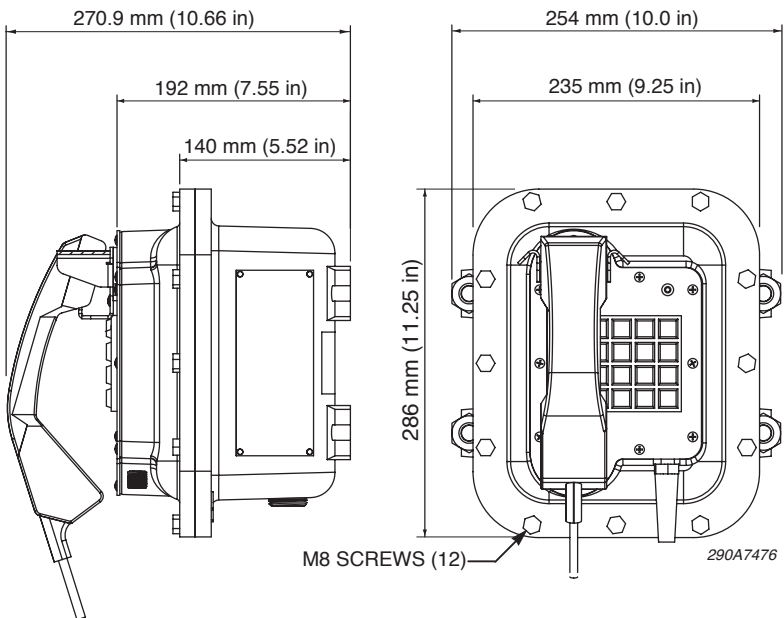
Unpacking the Product

After unpacking the product, examine it for damage that may have occurred in transit. If it has been damaged, do not attempt to install or operate it. File a claim immediately with the carrier, stating the extent of the damage. Carefully check all envelopes, shipping labels, and tags before removing or discarding them. Disposal of all shipping materials must be carried out in accordance with national and local codes and standards. If any parts are missing, please call Federal Signal Customer Support at: 800-548-7229 or 708-534-3400.

Mounting and Wiring the Federal Signal E1 EX

Federal Signal E1 EX intercoms are designed for mounting on a flat horizontal or vertical surface. Four installer-supplied M10 bolts are required. For mounting dimensions, see Figure 1.

Figure 1 Dimensions

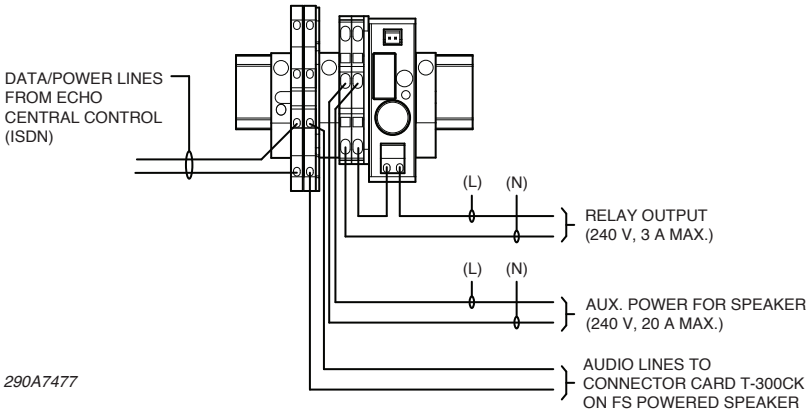


Installation and Maintenance Instructions

To install the E1 EX intercom:

- 1. Access to internal wiring:** See Figure 1 on page 9. Remove the twelve M8 stainless-steel screws securing the cover to the enclosure and carefully open the hinged cover.
- 2. Conduit entrances:** See Figure 2. The E1 EX has three conduit/cable entrances for field wiring. Entries can be used for connection of data/power from the Central Control, external loudspeaker connections, or relay output connection.

Figure 2 Wiring diagram



NOTE: The internal grounding terminal shall be used as the grounding equipment means. The external terminal is only a supplemental bonding connection where local authorities permit or require such a connection.

- 3. Terminals:** For field wiring, the E1 EX has a series of DIN rail terminal blocks with these connections (see Figure 2):
 - ✓ Relay output: 18-12 AWG (0.75 – 4 mm²), tightening torque 0.4 N·m (3.4 in-lb), 240 Vac, 3.0 A max.
 - ✓ Audio/ISDN: 26-12 AWG (0.25 – 4 mm²), Cu conductors only

4. Upon completion of the field wiring, secure the cover to the enclosure with the M8 screws to 23 N•m (17 ft-lb) to ensure weather- and dust-tightness and hazardous location ratings.

Safety Messages to Maintenance Personnel

⚠ WARNING

Listed below are some important safety instructions and precautions you should follow:

- Read and understand all instructions before maintaining or operating this system.
- Any maintenance to the unit must be performed by properly trained personnel.
- Any maintenance to the intercom must be done with power turned off.
- Never alter the unit in any manner. Safety in hazardous locations may be endangered if additional openings or other alterations are made in units specifically designed for use in these locations.
- The nameplate, which may contain cautionary or other information of importance to maintenance personnel, should NOT be obscured in any way. Ensure that the name-plate remains readable when the housing's exterior is painted.
- After performing any maintenance, test the intercom system to ensure that it operates properly.

Failure to follow all safety precautions and instructions may result in property damage, serious injury, or death.

Ordering Replacement Parts

Due to certification, certain component parts are not available for field replacement. Intercoms with this type of damage must be either replaced entirely or returned to Federal Signal for service. For spare parts availability and part numbers, please call Federal Signal Customer Support at 800-548-7229 or 708-534-3400.

Getting Technical Support

For technical support, please contact:
Federal Signal Corporation
Phone: 1-800-524-3021 or 1-708-534-3400
Email: TechSupport@fedsig.com
www.fedsig.com

Getting Repair Service

The Federal Signal factory provides technical assistance with any problems that cannot be handled locally.

Any units returned to Federal Signal for service, inspection, or repair must be accompanied by a Return Material Authorization (RMA) number. Obtain a RMA number from a local Distributor or Manufacturer's Representative or contact our Customer Support team at 800-548-7229 or 708-534-3400 or email at: iordersup@fedsig.com. Provide a brief explanation of the service requested, or the nature of the malfunction.

Address all communications and shipments to the following:

Federal Signal Corporation
Service Department
2645 Federal Signal Dr.
University Park, IL 60484-3167

Defective products that are returned within the warranty period will be repaired or replaced at Federal Signal's sole discretion. Defective products do not include those products with lamp failure. Circumstances other than those listed above will be addressed on a case-by-case basis.