



FEDERAL SIGNAL
Safety and Security Systems

Wedge Mounting Kits

for MicroPulse™ Lightheads on an Angled Vehicle Surface

Installation Instructions

Contents

Safety Messages for Installers of Warning Lights	5
Product Overview	6
Unpacking the Kit	6
Preparing the Lighthead	7
Mounting the Lighthead.....	9
Getting Technical Support and Service.....	10

Tables

Table 1 Wedge Mounting kits.....	6
---	----------

Figure

Figure 1 Mating pins on the wedges.....	8
Figure 2 MicroPulse secured to mounting surface	8
Figure 3 MicroPulse lighthead with four wedges	10

Safety Messages for Installers of Warning Lights

⚠ WARNING

People's lives depend on your safe installation of our products. It is important to read, understand and follow all instructions shipped with the products. In addition, listed below are some other important safety instructions and precautions you should follow:

- To properly install the light, you must have a good understanding of automotive electrical procedures and systems, along with proficiency in the installation and use of safety warning equipment.
- Do not install equipment or route wiring in the deployment path of an airbag.
- If a vehicle seat is temporarily removed, verify with the vehicle manufacturer if the seat needs to be recalibrated for proper airbag deployment.
- When drilling into a vehicle structure, be sure that both sides of the surface are clear of anything that could be damaged.
- Locate the light control so the VEHICLE and CONTROL can be operated safely under all driving conditions.
- Do not attempt to activate or deactivate the light control while driving in a hazardous situation.
- This product mounts high-intensity LEDs. Do not stare directly into the lights at a close range or permanent damage to your eyesight may occur.
- You should frequently inspect the light to ensure that it is operating properly and that it is securely attached to the vehicle.
- Refer to the instructions packed with related products for additional precautions and information.
- File these instructions in a safe place and refer to them when maintaining and/or reinstalling the product.

Failure to follow all safety precautions and instructions may result in property damage, serious injury, or death.

Product Overview

These instructions describe how to use a wedge kit to mount MicroPulse LED lightheads to an angled vehicle surface. The wedge kits, specifically designed for each lighthead configuration, are shown in Table 1. For electrical installation instructions, refer to the instructions included with the lighthead.

Unpacking the Kit

After unpacking the product, inspect it for damage that may have occurred in transit. If it has been damaged or is missing a part, do not attempt to install or operate it. File a claim immediately with the carrier, stating the extent of the damage. Carefully check all envelopes, shipping labels and tags before removing or destroying them. Ensure that all parts in Table 1 have been included. If you are missing any parts, contact Customer Support at 1-800-264-3578, 7 A.M. to 5 P.M., Monday through Friday (CT).

Table 1 Wedge Mounting kits

MPSM3-SPACRKT		
Qty.	Description	Part Number
4	Wedges, 5 Degrees	861300144
4	Screw, Self-Threading, #6	7011205-24

MPSM6-SPACRKT		
Qty.	Description	Part Number
4	Wedges, 5 Degrees	861300145
4	Screw, Self-Threading, #6	7011205-24

MPSM12-SPACRKT		
Qty.	Description	Part Number
4	Wedges, 5 Degrees	861300366
4	Screw, Self-Threading, #6	7011205-24

MPSMW9-SPACRKT		
Qty.	Description	Part Number
4	Wedges, 5 Degrees	861300882
4	Screw, Self-Threading, #6	7011205-24

MPSM3U-SPACRKT		
Qty.	Description	Part Number
4	Wedges, 5 Degrees	861301115
4	Screw, Self-Threading, #6	7011205-24

MPSM6U-SPACRKT		
Qty.	Description	Part Number
4	Wedges, 5 Degrees	861300881
4	Screw, Self-Threading, #6	7011205-24

MPSM12U-SPACRKT		
Qty.	Description	Part Number
4	Wedges, 5 Degrees	861301114
4	Screw, Self-Threading, #6	7011205-24

MPSM650-SPACRKT		
Qty.	Description	Part Number
4	Wedges, 5 Degrees	861301782
4	Screw, Self-Threading, #6	7011205-24

Preparing the Lighthead

IMPORTANT: Plan all cable routing before the installation..

Tools required: Hammer, center punch, drill, 7/64" drill bit, 1/8" drill bit, 1/2" drill bit, and Phillips screwdriver

⚠ WARNING

AIRBAG DEPLOYMENT—Do not install equipment or route wiring in the deployment path of an airbag. Failure to observe this warning will reduce the effectiveness of the airbag or potentially dislodge the equipment, causing serious injury or death.

NOTE: Four wedges, which angle the lighthead at 20 degrees, is the recommended limit.

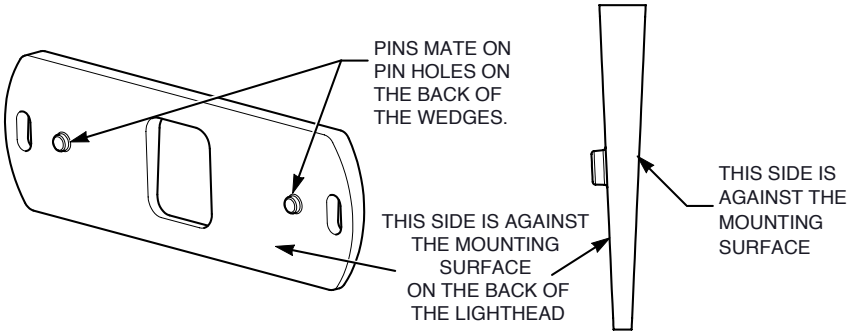
1. See Figure 1 on page 8. Examine the wedge. Note that one side has two pins. The side with the pins fits against the back of the lighthead. The pin-hole side fits flat against the mounting surface.

Installation Instructions

To secure multiple wedges together, the pins of one wedge mate with the pin holes of another.

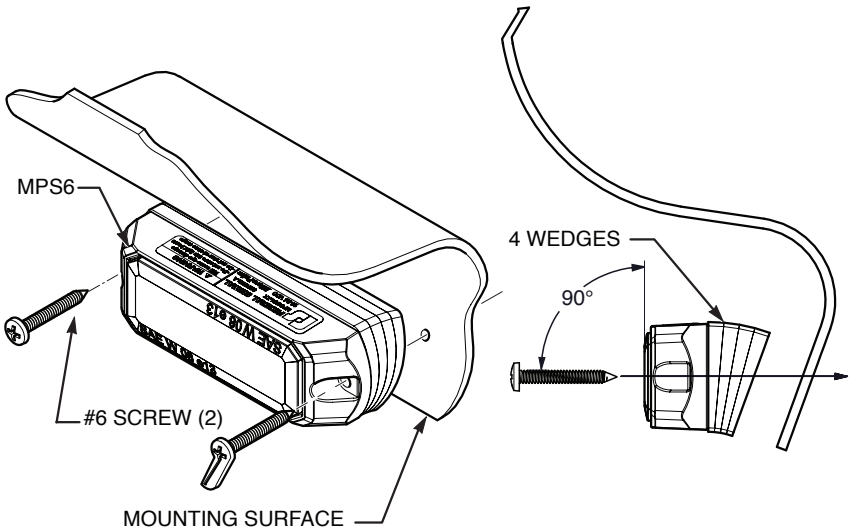
2. Select the mounting location.

Figure 1 Mating pins on the wedges



3. Hold the lighthead with the required number of wedges on the mounting location.
4. See Figure 2. Using the wedges and lighthead as a template, mark the screw locations so that the screws are perpendicular, or 90 degrees, to the front of the lighthead.

Figure 2 MicroPulse secured to mounting surface



5. Remove the wedges.

Mounting the Lighthead

NOTICE

DRILLING PRECAUTION—When drilling holes, check the area you are drilling into to be sure you do not damage vehicle components. All drilled holes should be deburred and all sharp edges should be smoothed. All wire routings going through drilled holes should be protected by a grommet or convolute/split loom tubing.

To mount the lighthead with one or more wedges:

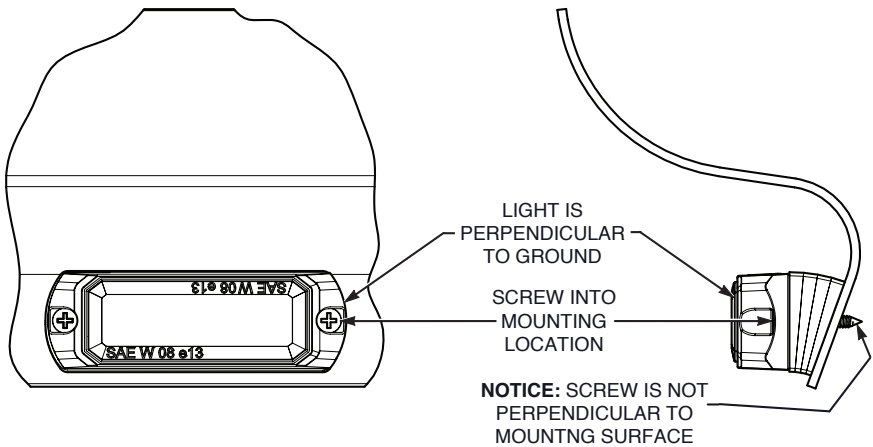
1. Depending on the thickness and the type of material of the mounting surface, select a 7/64" (0.1094") bit or a 1/8" (0.125") bit.
2. With the drill perpendicular to where the front of the lighthead would be, drill holes for the mounting kit screws.
3. Drill a 1/2" (0.500") hole through which the wires will pass.
4. Prepare the wire-routing hole by removing all burrs and sharp edges.
5. Feed the wires through the wedges and the wire-routing hole.
6. Connect the wire leads according to the instructions in the MicroPulse installation manual. Ensure that the connections are protected from the environment.

NOTICE

DO NOT OVERTIGHTEN SCREWS—To avoid damage to the lighthead, do not overtighten the screws.

7. See Figure 3 on page 10. Attach the lighthead and wedges to the mounting surface with the provided #6 self-threading screws.

Figure 3 MicroPulse lighthouse with four wedges



Getting Technical Support and Service

Federal Signal Corporation will service your equipment or provide technical assistance with any problems that cannot be handled locally. Any product returned to Federal Signal for service, inspection, or repair must be accompanied by a Return Material Authorization number. The RMA number can be obtained from your local distributor or Federal Signal. Please provide a brief explanation of the service requested or the nature of the malfunction. For replacement parts, contact your local dealer/distributor, or contact the Federal Signal Service Department 7 a.m. to 5 p.m., Monday through Friday, Central Time) at:

Service Department
Federal Signal Corporation
2645 Federal Signal Drive
University Park, IL 60484-3167
Phone: (800) 433-9132
Fax: (800) 343-9706
<http://www.fedsig.com/support/service>



2645 Federal Signal Drive, University Park, IL 60484-3167
Phone: 708-534-3400 • 800-264-3578 • Fax: 800-682-8022
www.fedsig.com