

D

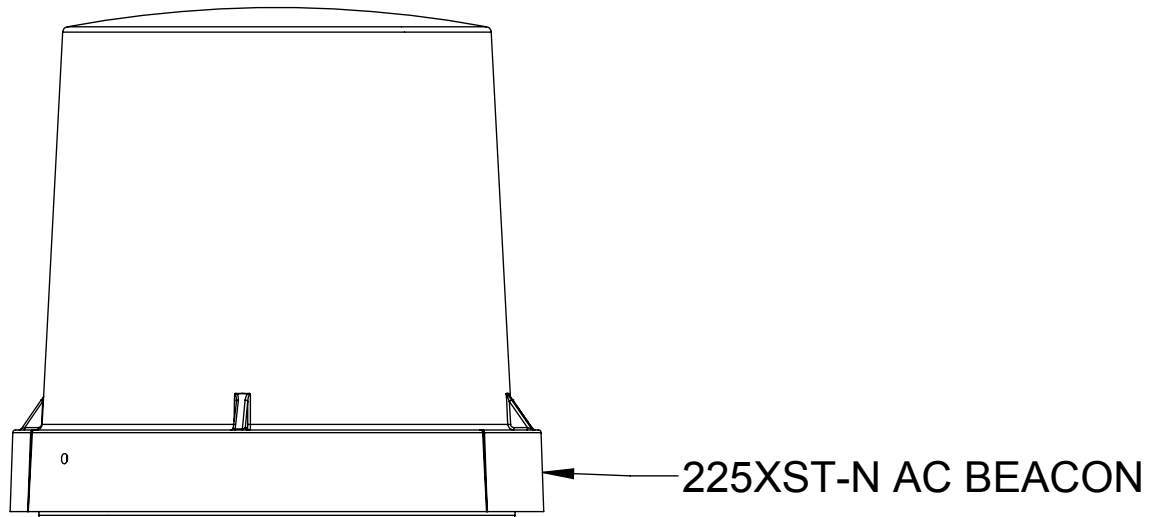
C

B

A

2

2



225XST-N AC BEACON

1/2" CONDUIT (NOT SUPPLIED)

WIRING (BLACK TO LINE (L OR L1), WHITE TO NEUTRAL (N OR L2), AND GREEN/YELLOW TO EARTH GROUND). WIRE NUTS NOT SUPPLIED.

JUNCTION BOX (NOT SUPPLIED)

1

1

All materials, components, and processes used in the manufacturing of this item shall be RoHS compliant to the most current EU Directive.


SHEET: 1 OF 4  
UNITS: INCHES

D

C

B

A

 <b>FEDERAL SIGNAL</b> 2645 FEDERAL SIGNAL DRIVE UNIVERSITY PARK, IL 60484	<b>SAFETY &amp; SECURITY GROUP</b>	Tolerances Unless Otherwise Specified		NAME
		IN[mm]	-----±0.5°	REF, WIRING DIAGRAM, 225XST-N, AC
MATERIAL DESCRIBED AND INFORMATION CONVEYED IS PROPRIETARY TO FEDERAL SIGNAL CORPORATION, IS OR MAY BE THE SUBJECT OF PATENT APPLICATIONS, AND MAY NOT BE COPIED, DIVULGED TO OTHERS, OR USED FOR MANUFACTURING WITHOUT CONSENT.				FINISH
				N/A
				REMOVE BURRS, SHARP CORNERS AND EDGES
				MATERIAL
				N/A
				SCALE AT B SIZE: 1:2
				THIRD ANGLE PROJECTION
				UNIT OF MEASURE PC
A0	REF DOCUMENT	5/27/2020	AEO	DRAWN BY: AEO
REV.	CHANGE	DATE	BY	DATE: 5/27/2020
				CHKD. BY: PW
				DATE: 5/27/2020
				DRAWING NUMBER 850001085A

D

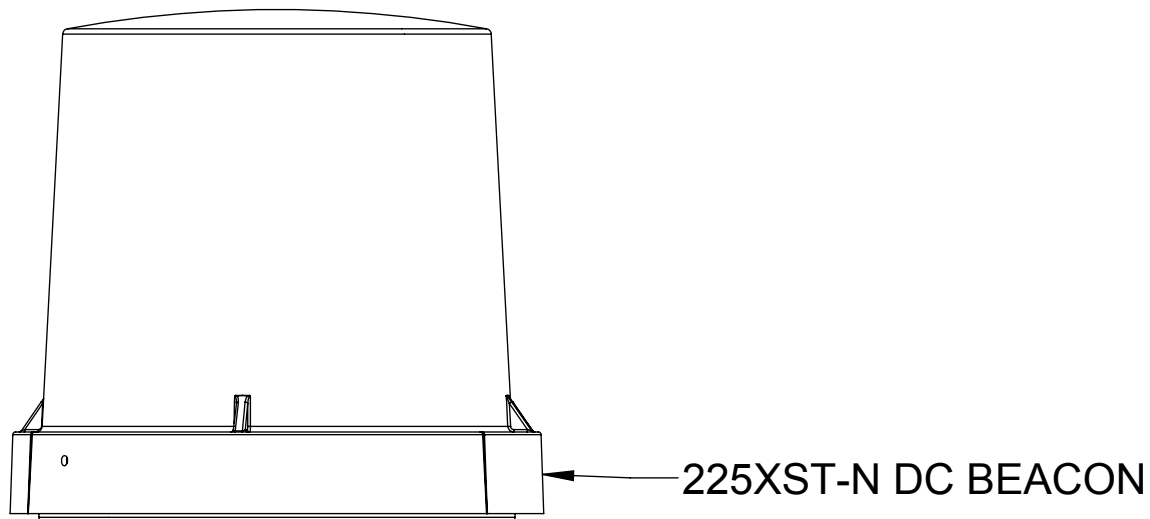
C

B

A

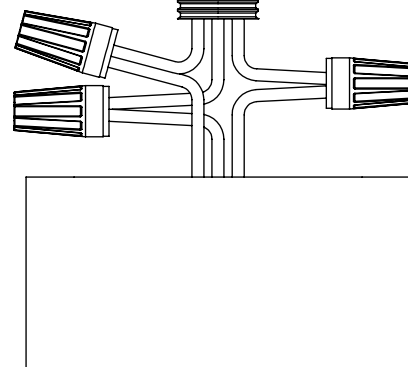
2

2



1/2" CONDUIT (NOT SUPPLIED)

WIRING (BLACK TO POSITIVE, RED TO NEGATIVE, AND GREEN/YELLOW TO EARTH GROUND). WIRE NUTS NOT SUPPLIED.




1

1

All materials, components, and processes used in the manufacturing of this item shall be RoHS compliant to the most current EU Directive.

SHEET: 2 OF 4  
UNITS: INCHES

 <b>FEDERAL SIGNAL</b> 2645 FEDERAL SIGNAL DRIVE UNIVERSITY PARK, IL 60484	<b>SAFETY &amp; SECURITY GROUP</b>	Tolerances Unless Otherwise Specified		NAME
		IN[mm]	-----±0.5°	REF, WIRING DIAGRAM, 225XST-N, DC
		Angles	-----±0.015[±0.4]	FINISH
		x.xx[x.x]	-----±0.005[±0.12]	N/A
		x.xxx[x.xx]		SCALE AT B SIZE: <b>1:2</b>
				THIRD ANGLE PROJECTION
				REMOVE BURRS, SHARP CORNERS AND EDGES
				MATERIAL
				N/A
				UNIT OF MEASURE
				PC
				DRAWN BY: <b>AEO</b> CHKD. BY: <b>PW</b> DRAWING NUMBER
				DATE: <b>5/27/2020</b> DATE: <b>5/27/2020</b> <b>850001085A</b>
REV.	CHANGE	DATE	BY	

D

C

B

A