



► Model IS-DS100

100W Amplified Directional Speaker

The IS-DS100 Directional Speaker is an indoor or outdoor, non-metallic, 100W amplified speaker that can be used in any industrial communication application requiring audio amplification. The IS-DS100 has an internal 100-watt amplifier capable of amplifying audio-level signals from either 10 or 25 Vrms systems, such as the Federal Signal 300VSC SelectTone® Command Unit, to broadcast 100-watt high quality, high-powered tones, pre-recorded voice messages, and live PA. Model 300VSC is a central control device that can generate up to four different tone signals on a line that is connected to remote speaker/amplifiers in a SelectTone® System. Connect the 300VSC with multiple IS-DS100s to use the features of the controlling unit (300VSC).

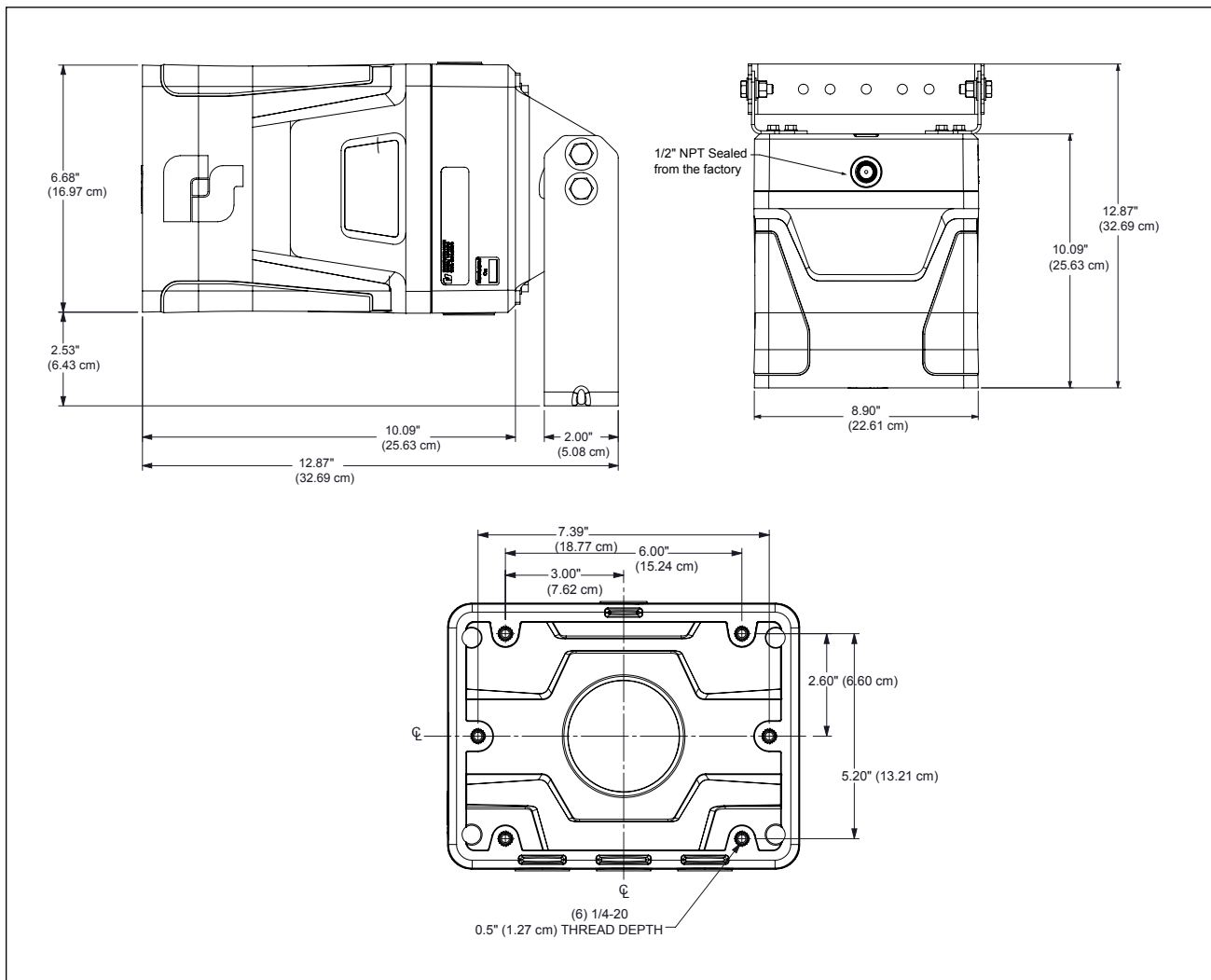
The IS-DS100 features a multi-voltage design that accepts 24VDC, 120VAC or 240VAC and has a wide range of mounting options. It has a 1/2-inch NPT opening on the top of the speaker and the bottom of the speaker has three 3/4-inch NPT openings to allow access to power in/out and audio in/out. It also comes with an adjustable stainless steel wall mount bracket that allows the angle of the speaker to be adjusted. Optional pole mount brackets are available for small and large diameter poles.

FEATURES

- High-powered indoor/outdoor amplified speaker
- Multi-voltage design accepts 24VDC, 120VAC, or 240VAC
- Non-metallic enclosure
- Can be combined with 300VSC SelectTone Command Unit to broadcast 100-watt high quality, high-powered tones, pre-recorded voice messages, and live PA
- Speaker rated at 120 dBa for tones @ 10' (130 dBa @ 1M)
- Includes an adjustable, stainless steel, wall mount bracket
- Optional pole mount brackets sold separately
- Type 4X, IP66 enclosure
- UL Marine Rated
- UL and cUL Listed

MODEL	VOLTAGE	AUDIO INPUT VOLTAGE	OPERATING CURRENT	STANDBY CURRENT	DECIBELS	
					10'	1M
IS-DS100	24VDC	10 or 25V Vrms	5.15A	100mA	120	130
	120VAC 50/60Hz	10 or 25V Vrms	1.50A	26mA	120	130
	240VAC 50/60Hz	10 or 25V Vrms	820mA	21mA	120	130

100W Amplified Directional Speaker (IS-DS100)



SPECIFICATIONS

Operating Temperature	-40°C to 60°C	-40°F to 140°F
Rated Power:	100W	
Net Weight:	19.0 lb	8.6 kg
Shipping Weight:	19.2 lb	8.7 kg
Height:	6.68"	16.97 cm
Width:	8.90"	22.61 cm
Depth:	10.09"	25.63 cm

HOW TO ORDER

Specify Model:

IS-DS100 – 100W Amplified Directional Speaker

OPTIONAL ACCESSORIES

Description	Part Number
Small (2-3/4 to 4-1/2 inch diameter) Pole Mount Bracket	IS-I-IP100-PM
Large (6 inch diameter or larger) Pole Mount Bracket	IS-I-IP100-PMW