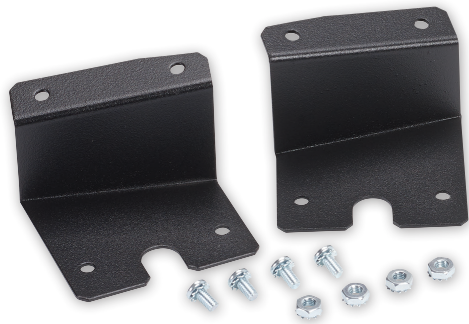




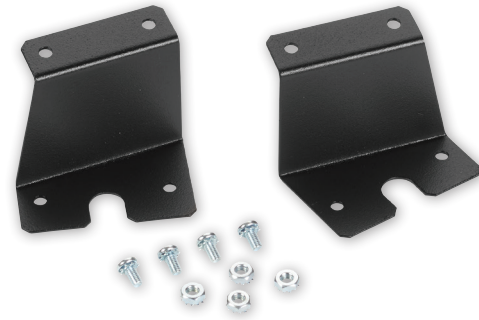
MU799 | 9-17-19

New B-Pillar Brackets are now Available

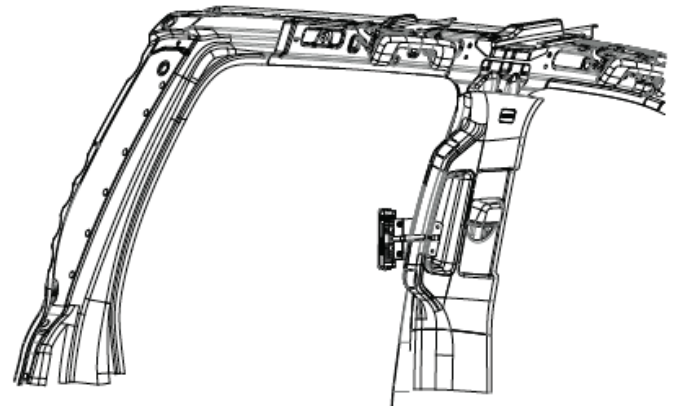
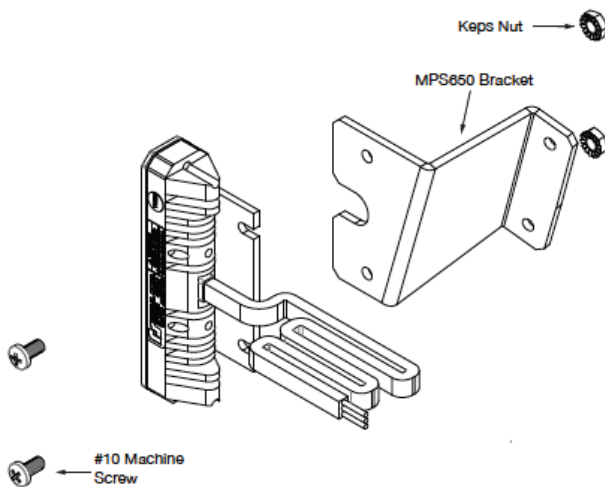
New B-Pillar Brackets are now available to order. Each bracket kit comes with a pair of brackets to mount MicroPulse® MPS650 or MPS652 lights to the B-Pillars of the Dodge Charger, Chevrolet Tahoe, and Ford Police Interceptor Utility.



Z861302757A



Z861302781A



HOW TO ORDER

Model #	Description	2019 List Price (US\$)
Z861302757A	Pair of B-pillar brackets, each bracket mounts (1) MPS650 or MPS652 light on the pillar, Dodge Charger, 2011-2019, Ford Police Interceptor Utility, 2011-2019	40.00
Z861302781A	Pair of B-pillar brackets, each bracket mounts (1) MPS650 or MPS652 light on the pillar, Chevrolet Tahoe, 2015-2019, Ford Police Interceptor Utility, 2020	40.00

TIMING

Orders for the B-Pillar brackets can be accepted and processed today.

For more information, contact your local Federal Signal sales representative or visit our website at www.fedsig.com

2645 Federal Signal Drive, University Park, IL 60484 • www.fedsig.com
 Police/Fire Phone: (800) 264-3578 • International Police/Fire Phone: (708) 534-3161 • Amber Market Phone: (800) 824-0254