



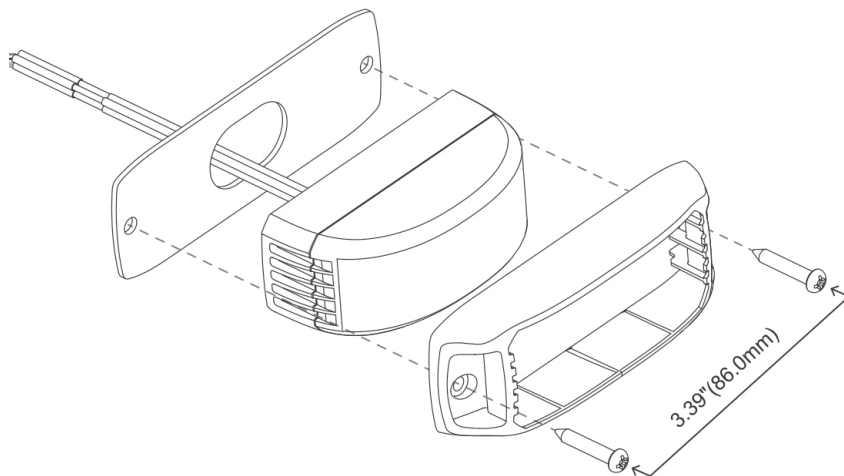
Federal Signal announces the release of new 6-LED models of our MicroPulse Wide Angle LED warning lights.



MPSW6-B

FEATURES

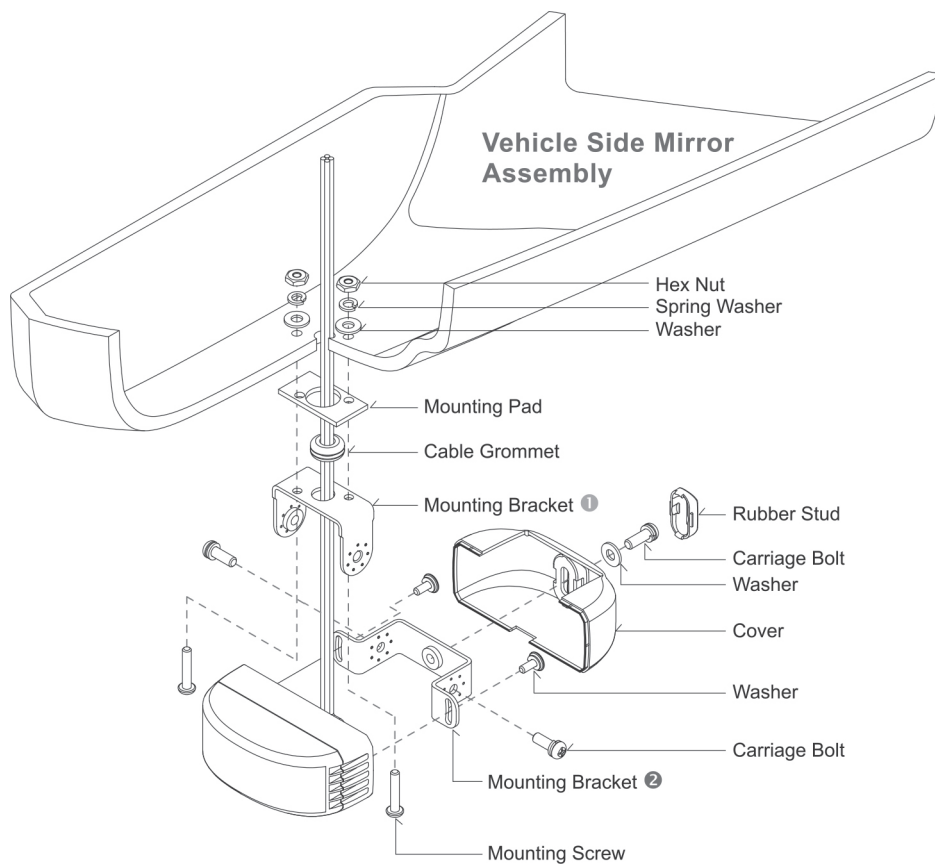
- Each model comes with black surface mount bezel and black side mirror mount plus hardware for surface mounting and under side mirror mounting
- Single-color models contain 6 LEDs
- Split-color models contain 3 LEDs of each color (6 total)
- All models are 12VDC
- Operating Temperature is -40°C to +80°C
- All models are IP67 rated
- Wiring:
 - Red = +12 VDC
 - Black = Chassis Ground
 - Yellow = Sync and pattern select
 - White = Low power
- Three-year warranty
- 27 flash patterns including Steady and Random
- Shipping weight = 0.42 lbs
- Current Draw = 0.8 Amps at 12 VDC
- CISPR 25 compliance
 - Radiated emissions = Class 5
 - Conducted emissions = Class 3





SPECIFICATIONS

	Length	Width	Depth
Surface mount	3.8 in	1.4 in	1.5 in
Under side mirror mount	2.9 in	1.3 in	2.6 in





OPTICAL COMPLIANCE

Model#	SAE J845	SAE J595	CA Title 13
MPSW6-R	Class 1	Class 1	Class B
MPSW6-B	Class 1	Class 1	Class B
MPSW6-A	Class 1	Class 1	Class B
MPSW6-W	Class 1	Class 1	n/a

Note: Not all flash patterns have the same optical compliance within a warning light. The Class indicated in the table above represents the highest level available for any pattern in that particular model.

HOW TO ORDER

Model #	Description	2017 List Price US\$
MPSW6-A	MicroPulse Wide Angle, 6-LED surface mount warning light, with mirror mount – AMBER	\$ 189.00
MPSW6-B	MicroPulse Wide Angle, 6-LED surface mount warning light, with mirror mount – BLUE	\$ 189.00
MPSW6-R	MicroPulse Wide Angle, 6-LED surface mount warning light, with mirror mount – RED	\$ 189.00
MPSW6-W	MicroPulse Wide Angle, 6-LED surface mount warning light, with mirror mount – WHITE	\$ 189.00
MPSW6-RB	Split-color MicroPulse Wide Angle 6-LED surface mount warning light, with mirror mount – RED/BLUE (3-LEDs of each color)	\$ 189.00
MPSW6-RW	Split-color MicroPulse Wide Angle 6-LED surface mount warning light, with mirror mount – RED/WHITE (3-LEDs of each color)	\$ 189.00
MPSW6-BW	Split-color MicroPulse Wide Angle 6-LED surface mount warning light, with mirror mount – BLUE/WHITE (3-LEDs of each color)	\$ 189.00
MPSW6-AW	Split-color MicroPulse Wide Angle 6-LED surface mount warning light, with mirror mount – AMBER/WHITE (3-LEDs of each color)	\$ 189.00

TIMING

Orders for these new models can be accepted and processed now.