

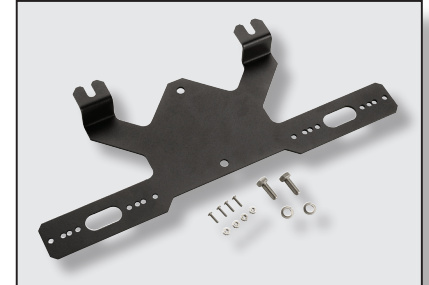


MU668 | 1/17/2017

## New ES100C Bracket Kit for 2017 Chevrolet Tahoe PPV

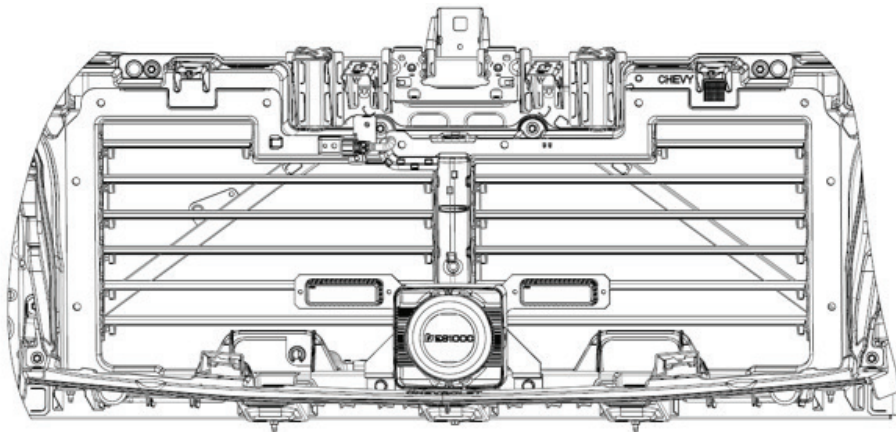
Federal Signal announces the new ESBL-TAH17ND combination bracket kit that can be used to mount the ES100 and two lights in the grille of the 2017 Chevrolet Tahoe Police Pursuit Vehicle.

The ESBL-TAH17ND is compatible with the active grille shutters of the 2017 Chevrolet Tahoe PPV and uses the manufacturer pre-drilled holes for installation.



### FEATURES

- Uses the manufacturer pre-drilled holes
- Mounts the ES100C and/or (2) IMPAXX 600B and 300, MicroPulse 600 and 1200, MicroPulse Ultra 600 and 1200, and MicroPulse Wide Angle
- Compatible with active grille shutters, as depicted below:



### HOW TO ORDER

Model	Description	2017 List Price (US\$)
ESBL-TAH17ND	Kit, combination bracket for mounting a ES100C and (2) IPX600B/IPX300/MPS600/MPS600U/MPS1200U/MPSW9 lights in the grille of the Chevrolet Tahoe PPV, 2017	\$40.00

\*Note: At this time, the ESBL-TAH17ND is the only bracket change for the 2017 Chevrolet Tahoe PPV

For more information, contact your local Federal Signal sales representative, visit [www.fedsig.com](http://www.fedsig.com) or contact us at 800-264-3578.