



Federal Signal Releases New Mounting Boxes

Available in 1-up, 2-up and 3-up versions, the Federal Signal mounting boxes fit a variety of vehicles and applications. The mounting boxes are made of stainless steel and weld on to the vehicle body. A steel internal mounting frame is included to fit the 4x3 QuadraFlare® DOT models, sold separately, that stack together into the mounting box leaving minimal space for moisture or dirt creating a clean look.



Pre-punched mounting holes on the side of the mounting box allows for easy installation of the MicroPulse™ Ultra 3 lighthead, sold separately, in the horizontal orientation that meets Class 1 standards, providing users with dependable visual warning to the rear and side of the vehicle.

FEATURES

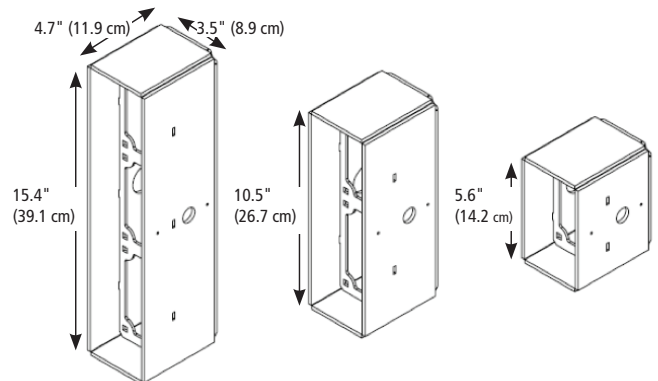
- 1-up, 2-up and 3-up versions
- Constructed with 3/16" stainless steel
- Welds to vehicle body
- Sold in pairs
- Includes internal steel mounting frame for use with 4x3 QuadraFlare® DOT models
- Pre-punched mounting holes on side for use with MicroPulse™ Ultra 3 (horizontal orientation)
- Open corners to allow for drainage
- Three-year product warranty



Lights sold separately

HOW TO ORDER

Model #	Description	2016 List Price US\$
304301SSG	1-up pair for QL43D models	\$625.00
304302SSG	2-up pair for QL43D models	\$725.00
304303SSG	3-up pair for QL43D models	\$825.00



For more information, please contact your local Federal Signal sales representative, visit our website at www.fedsig.com or contact Amber Customer Support at 800-824-0254.