

January 16, 2020

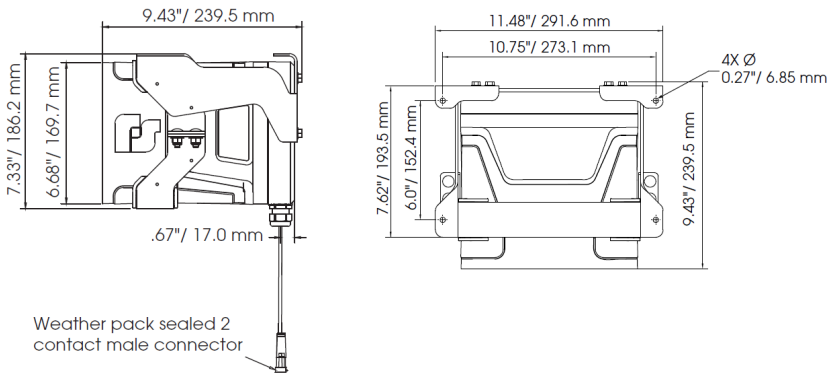
Introducing eHorn-HV from Federal Signal: An Innovative High-Vibration Resistant Electronic Horn

New Product Release! The NEW [eHorn-HV](#) is an electronic horn capable of producing two high decibel horn tone outputs from the same unit through internal amplification and tone circuitry. Model eHorn-HV utilizes proprietary technology to replicate the rich, full tones of Federal Signal’s Model 52, 55 and 56 electromechanical horns. The eHorn-HV is factory-set to the Model 52 tone and is easily field-configured to select the Model 55 and Model 56 horn tones.

Model eHorn-HV’s non-metallic, polycarbonate housing is corrosion resistant and weatherproof for improved durability in harsh industrial environments. With Type 4X and IP66 enclosure ratings, eHorn-HV is ideal for a wide variety of environmental conditions, including outdoor use.

The eHorn-HV’s potted internal electronics and external heavy-duty mounting bracket allow the unit to withstand high-vibration settings. The high-vibration resistance makes this model ideal for warning needs of any off-road vehicle. Model eHorn-HV can be mounted on any relatively flat surface with the supplied stainless-steel mounting bracket.

Model eHorn-HV is available in 24VDC and has no duty cycle. The electronic horn is designed with three SPLs (Sound Pressure Level) ranging from 96 to 117 dBA at 10’ (106 to 127 at 1m) depending on the tone selected.



52 Horn Tone (315.6 Hz Steady)				
LEVEL	TAPS		SPL (dBA @10 ft)	DC Current (A) 24VDC
	WIRE 1	WIRE 2		
High	P1	P4	116	3.0
Med	P1	P3	109	1.0
Low	P2	P3	100	0.4

55/56 Horn Tone (330.0 Hz Steady)				
LEVEL	TAPS		SPL (dBA @10 ft)	DC Current (A) 24VDC
	WIRE 1	WIRE 2		
High	P1	P5	117	3.3
Med	P1	P3	106	0.5
Low	P2	P3	96	0.24

eHorn-HV Ordering Information

Model	Description	UPC
EHORN-HV-024	Horn, Electronic, Vibration Resistant, 24VDC	782979235118

For additional product information, sound files, instruction manual, or product video visit the [eHorn-HV](#) webpage. Feel free to contact your Regional Sales Manager, Inside Sales, or Customer Support with any questions.