



# SelectTone® Extension Module

## Model EM3

### DESIGNED FOR ADDING ADDITIONAL SIGNAL TONES

- Reliable solid-state circuitry
- Indoor/outdoor use
- No separate power supply required
- Produces three tones with the same speaker/amplifier
- Type 3R enclosure
- UL and cUL Listed

The Federal Signal Model EM3 SelectTone® Extension Module is designed to add multi-tone capability to an individual SelectTone unit and can be used with Models 50GC, 300, 300GC, and 302GC.

The die-cast aluminum alloy housing has the same dimensions as the main amplifier housing of the above mentioned models and is sealed with gray enamel paint. The EM3's internal components are protected from the elements by dust- and moisture-proof seals.

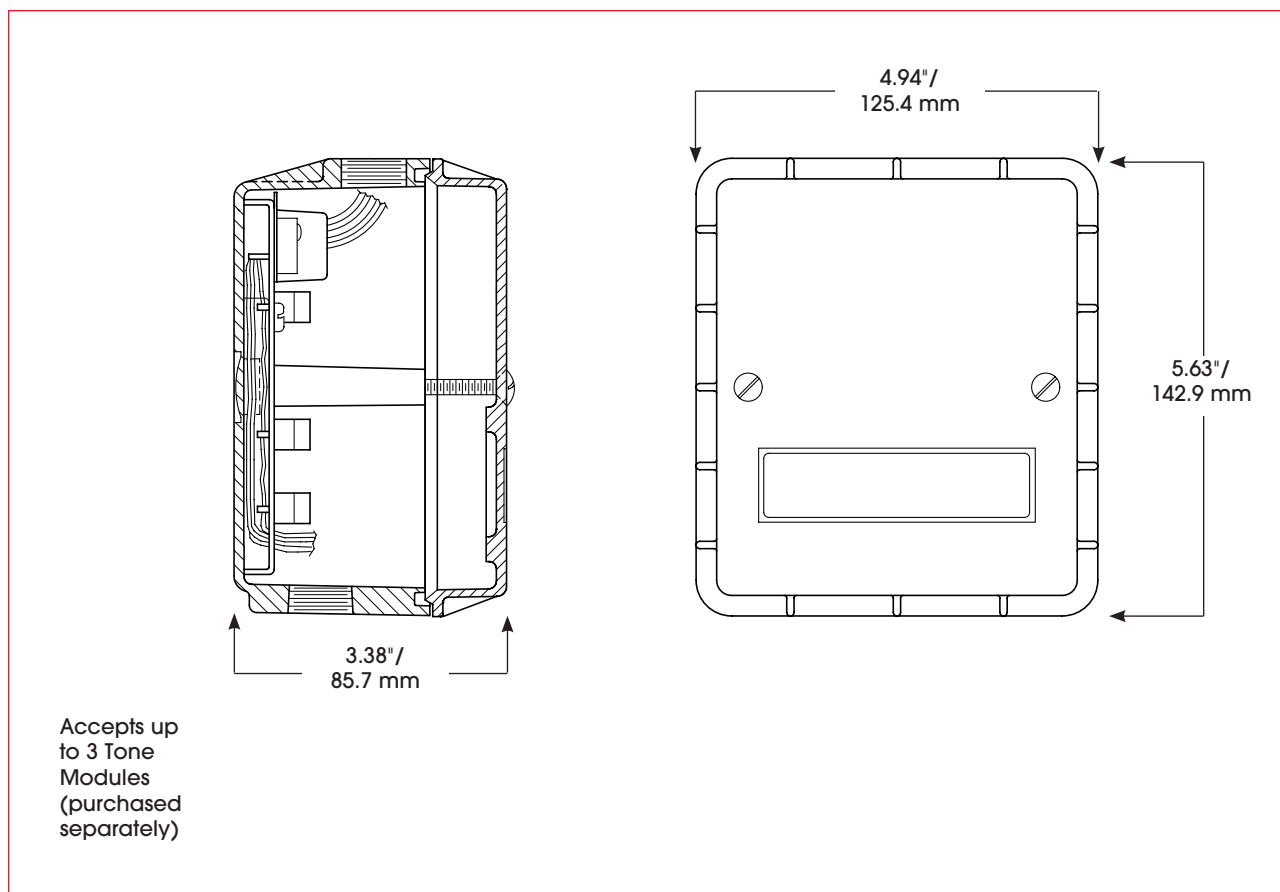
The EM3 Extension Module requires no power supply of its own. Its internal components are a wiring terminal strip, edge connector slots for three Model UTM tone modules and an interface to connect to a SelectTone 300, 300GC, or 302GC signaling device. The EM3 is not compatible with the TM33 Tone Module.

With the EM3, three functions can be simultaneously monitored rather than one. Tone activation and selection is accomplished by user-supplied, normally-open dry contacts.

Where voice communication is not necessary and the application requirements dictate up to three tone signals, the EM3 Extension Module allows a single SelectTone audible signal to fill those needs.

Adding Federal Signal's Model EM3 to a SelectTone speaker/ amplifier allows a single unit to produce up to three distinct tones.



**SELECTONE® EXTENSION MODULE (EM3)****SPECIFICATIONS**

Operating Temperature:	-31°F to 161°F	-35°C to 72°C
Net Weight:	1.0 lbs.	0.45 kg
Shipping Weight:	2.2 lbs.	1.0 kg
Height:	5.63"	142.9 mm
Width:	4.94"	125.4 mm
Depth:	3.38"	85.7 mm

**HOW TO ORDER**

- Specify model number
- Specify number of Universal Tone Modules (UTM), up to three