



HAZARDOUS LOCATION INTERCOM STATION

- Corrosion and vandal resistant design
- Private full duplex handset communication
- Headset, gooseneck microphone and handset options
- Single touch speed dialing
- Group call, all-call, priority call, auto conference
- Simple one pair wiring
- Output to powered loudspeaker
- IP66

Zone 1 Digital Intercom Stations

Model ECHO EZ1

Federal Signal Model EZ1 ECHO Intercom Stations provide safe and efficient two-way voice communications in large and small ECHO Digital Intercom Systems. The EZ1 ECHO Station is designed and approved for use in Zone 1 Hazardous Areas, Ex II 2 G EEx meib IIC T6.

The EZ1 ECHO ATEX station provides instantaneous high-speed connections and clear, crisp digital voice quality. Each station offers single-button all call, priority emergency paging, group paging, speed dial, conference call, and relay output.

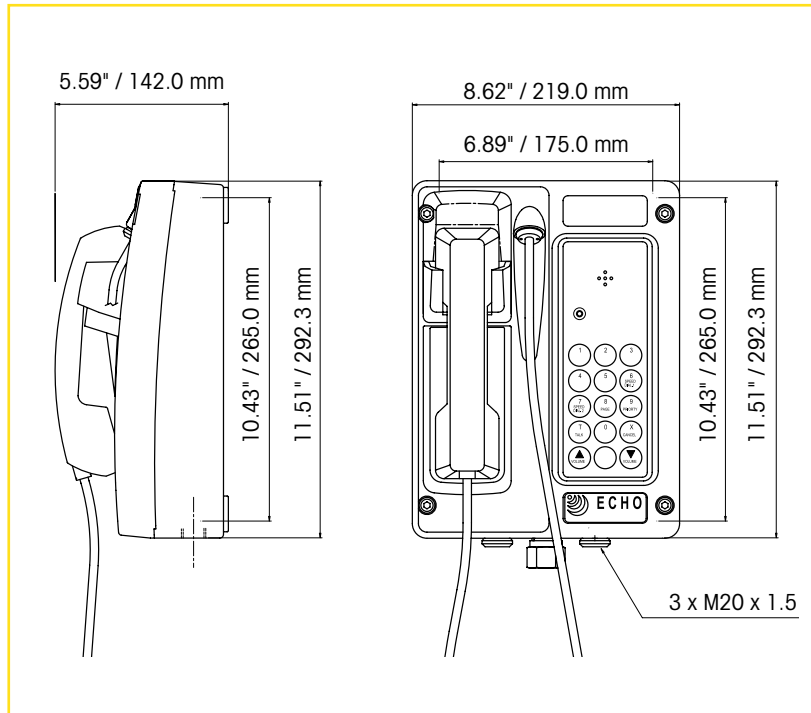
Any station can call any other station(s) in an ECHO Digital Intercom System. With the headset or gooseneck microphone options, each is capable of hands-free voice communication. Because the ECHO Digital Central Exchange provides 30 channels of simultaneous communication, calls are processed and connected immediately without dial tone or delay.

The EZ1 Station keypad is designed to provide tactile and audible feedback (via external powered loudspeaker) for a positive activation. Each station may be programmed for four levels of privacy for receiving calls; non-private, semi-private, full privacy and do-not-disturb. Volume for voice and signal levels are easily adjusted on the keypad.

Each EZ1 Station is constructed of heavy duty glass reinforced polyester (GRP), equipped with a weatherproof keypad, and are rated for use in IP66 dust- and water-tight applications.



ZONE 1 DIGITAL INTERCOM STATIONS (EZ1)



HOW TO ORDER

- Specify model:
 - Handset, 1.8m curly cord (EZ1-HND-C)
 - Handset, 1.0m stainless steel cord (EZ1-HND-S)
 - Jack station (EZ1-JS)
 - Stubby microphone, 65mm (EZ1-SM)
 - Gooseneck microphone, 260mm (EZ1-GM1)
 - Gooseneck microphone, 440mm (EZ1-GM2)
 - Gooseneck microphone, 590mm (EZ1-GM3)
- Optional Accessories:
 - Headset (K137149A-01)
 - Potted relay assembly, EZ1 (K8601241A)
 - 10m Headset extension cord (K1751234A)
 - Handset with 10m curly cord (detachable) (K8601272A-01)

SPECIFICATIONS

| | | | | |
|--------------------------------|--|------------------------------|--|-----------|
| Operating Voltage: | 24VDC nominal (line driven from ECHO control) | Distance: | 1.2 miles | 2.0km Max |
| Current Idle: | 25 mA | Cable: | One twisted pair, non-shielded | |
| Current Connected: | 100 mA | Cable Entries (bottom): | 3 x M20 | |
| Handset Microphone Type: | Dynamic | Operating Temperature Range: | -35C to +50C (T6) | |
| Handset Material: | Moulded Polyurethane | Termination: | EEx e screw terminal block | |
| Handset Cord: | Stainless Steel | Relay Switching Capacity: | 3A at 240VAC | |
| Stubby Microphone Type: | Dynamic | Net Weight: | 9.5 lbs | 4.3kg |
| Stubby Microphone Sensitivity: | -54dBA | Shipping Weight: | 11.1 lbs | 5.1kg |
| Stubby Microphone Enclosure: | Stainless Steel | Shipping Dimensions: | 16.25" x 9.5" x 9.25" 413mm x 241mm x 235mm | |
| Audio Output: | 2.7 Vrms / 1.0k Ohm load | Certificate Number: | BAS01ATEX2306X | |
| Volume Control via Keypad: | 30dBA in ten steps | Classification Marking: | II 2 G EEx meib IIC T6 | |
| Line Attenuation: | 24dBA@160kb/s Max | Ingress Protection: | IP66 (IP65 on handset) | |
| Loop Resistance: | 170 Ohm Max | | | |



EZ1-GM1



EZ1-SM