



► Model 304GCX and 314GCX

SelecTone® Hazardous Location Amplified Speakers

Federal Signal Models 304GCX and 314GCX Hazardous Location Amplified Speakers are designed to produce crisp, clear tones in supervised alarm notification systems. Both speakers amplifiers are compatible with fire alarm, voice evacuation, suppression supervised control panels and power boosters.

These amplified speakers can broadcast tones generated by a Tone Card installed into the speaker (the plug-in 32-tone UTM*) or by a central tone source in a voice evacuation or paging system. When live public address or voice messages are required, plug-in Connector Cards (AM25CK or AM70CK) interface with the audio output of the EVAC panel.

The speaker cone and projector are constructed of rugged spun aluminum. The solid-state amplifier circuit is protected in a die-cast aluminum housing. Dust and moisture-proof gaskets provide protection from the elements. All external surfaces are sealed with gray powder coat paint. The 304GCX and 314GCX are easily installed with external mounting tabs.

The rugged construction and high output of the Model 304GCX and 314GCX make it ideal for use in harsh environments with high ambient noise levels.

*ULC Canadian Fire Listed Models (-CN models) can only be used with a UTM tone card

FEATURES

- Available in 24VDC
- Four wire supervisable power circuit
- Capable of producing tones or voice messages
- Built in gain control
- Digital signal amplification
- Fused input and output
- Cast aluminum housing, spun aluminum projector
- External mounting tabs
- Indoor or Outdoor use
- Type 4X, IP66, IP69K enclosure
- UL Listed for Class I, Division 2, Groups A, B, C & D; Class II, Division 2, Groups F & G; Class III
- CSFM Approved
- UL Fire Listed and ULC Canadian Fire Listed models

MODEL	VOLTAGE	OPERATING CURRENT	STANDBY CURRENT	DECIBELS PER 10'	DECIBELS PER 1M	DECIBELS ON AXIS 10'	DECIBELS ON AXIS 1M
304GCX-024*	24VDC	0.7 amps	0.15 amps	95	105	108	118
314GCX-024*	24VDC	1.3 amps	0.15 amps	100	110	112	122

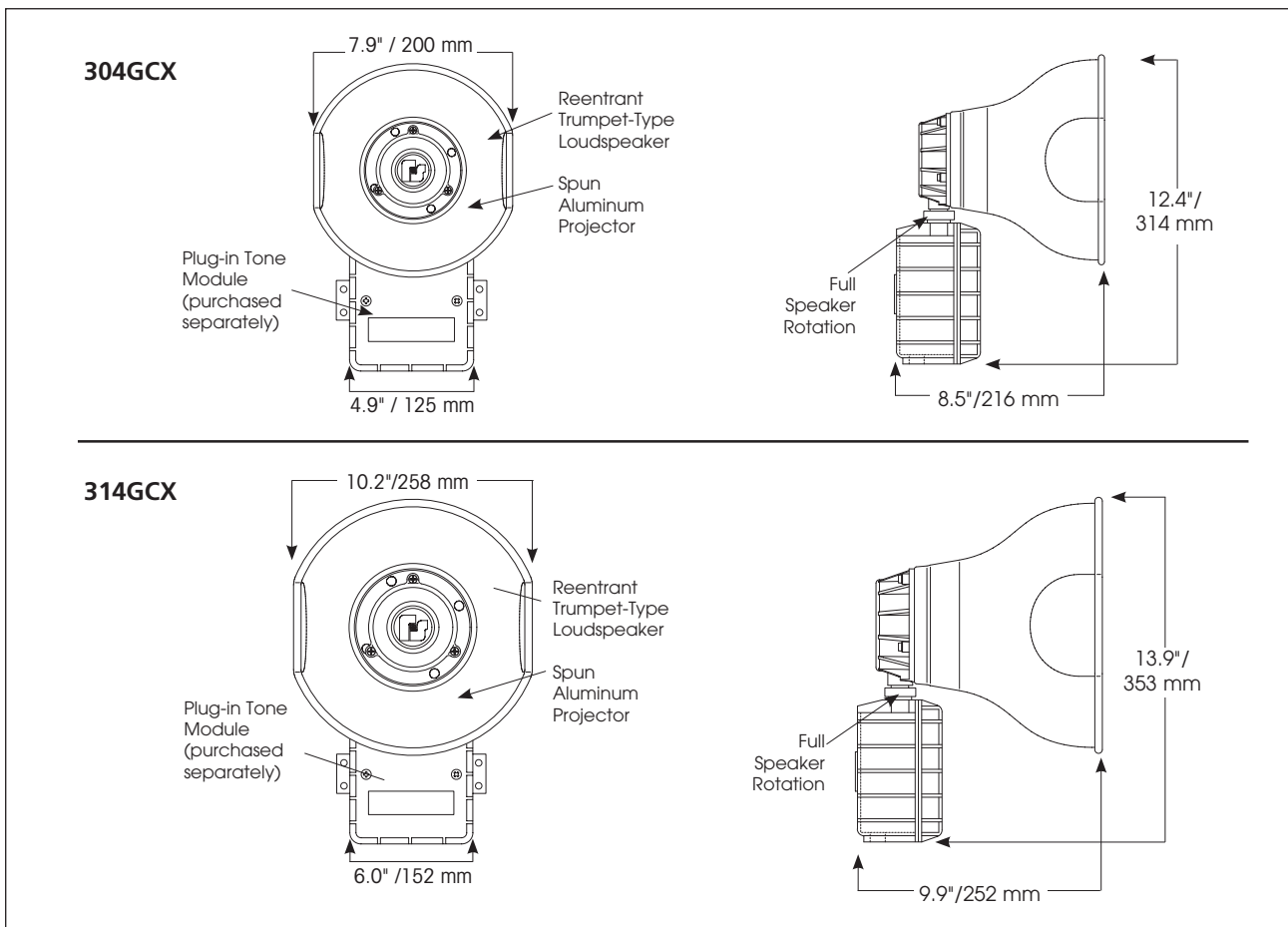
* Indicates Fire Listing; leave blank for UL Fire Listed models or include (-CN) for ULC Canadian Fire Listed models

HAZARDOUS LOCATION RATING: 304GCX/314GCX

T-CODE AT MAXIMUM AMBIENT TEMPERATURE, °C

Hazardous Location	304GCX		314GCX	
	40°C	66°C	40°C	66°C
Class I, Division 2, Groups A, B, C, D	T2D	T2C	T3A	T3
Class II, Division 2, Groups F, G	T6	T6	T6	T6
Class III	T6	T6	T6	T6

Hazardous Location SelecTone® Amplified Speaker (304GCX/314GCX)



SPECIFICATIONS

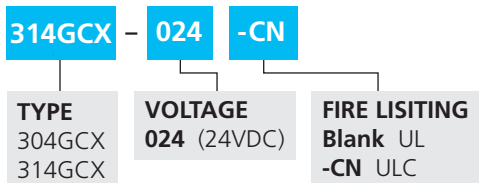
304GC

Operating Temperature:	-40°F to 150°F	-40°C to 66°C
Net Weight:	4.5 lbs	2.0 kg
Shipping Weight:	5.7 lbs	2.6 kg
Height:	12.4"	314.0 mm
Width:	7.9"	200.0 mm
Depth:	8.5"	216.0 mm

314GC

Operating Temperature:	-40°F to 150°F	-40°C to 66°C
Net Weight:	6.1 lbs	2.8 kg
Shipping Weight:	7.5 lbs	3.4 kg
Height:	13.9"	353.0 mm
Width:	10.2"	258.0 mm
Depth:	9.9"	252.0 mm

HOW TO ORDER



REQUIRED ACCESSORIES

Description	Part Number
Universal Tone Module	UTM
Specify Connector Kit for use in systems:	
70 Vrms Connector Kit	AM70CK
25 Vrms Connector Kit	AM25CK

REPLACEMENT PARTS

Description	Part Number
4 Position connector	K140340B
Voice Coil	K8593035A
Speaker Assembly	K8593082A