



(Shown with pendant mount. See how to order for mounting options)



► Model 121X

# Explosion-Proof Incandescent Rotating Light

Model 121X rotating light flashes 90 times per minute and produces a 360° visual signal. Model 121X covers an entire range of possible mounting configurations – including dome up.

This corrosion-resistant unit's copper-free aluminum housing is finished with a powder coat.

The 121X uses a synchronous motor to drive a parabolic reflector around an incandescent lamp. This results in a 360° rotating beam which is concentrated in a horizontal plane.

The 121X features a spring clip-mounted lamp for quick access when inspecting or relamping. The 121X can be paired with a pendant, ceiling or wall mount. Installation is simple—with the mounting box in place, the fixture is threaded onto the mounting box, making the electrical connection.

Federal Signal's rugged 121X Warning Light is designed for explosion-proof applications and/or corrosive environments. It is ideal for use in indoor and outdoor areas such as oil rigs, mines, refineries, and chemical plants.

## FEATURES

- Five lens colors: Amber, Blue, Clear, Green and Red
- Available in 24VDC
- 3/4" NPT pendant, ceiling and wall mount options available
- Approved for mounting in any manner-including dome up
- Optional dome guard
- Type 4X, IP66, IP69K enclosure
- Marine Rated
- UL and cUL Listed for Class I, Division 1 and 2, Groups C and D; Class II, Division 1, Groups E, F and G; and Class III

MODEL	VOLTAGE	OPERATING CURRENT	FLASH RATE/ MINUTE	LIGHT OUTPUT
<b>121X-024 * -MOD<sup>1</sup></b>	24VDC	1.05 amps	90	2,350 cd

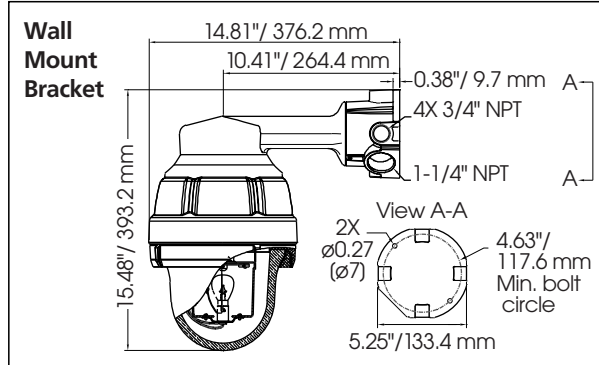
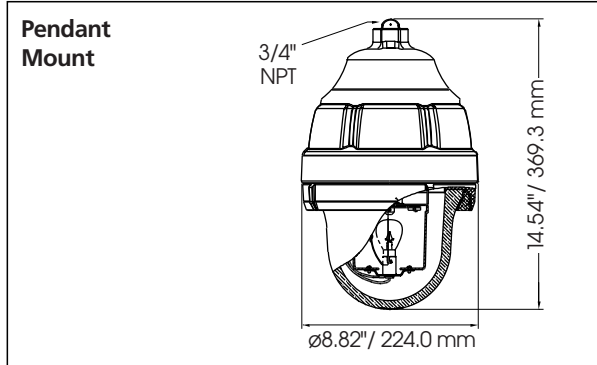
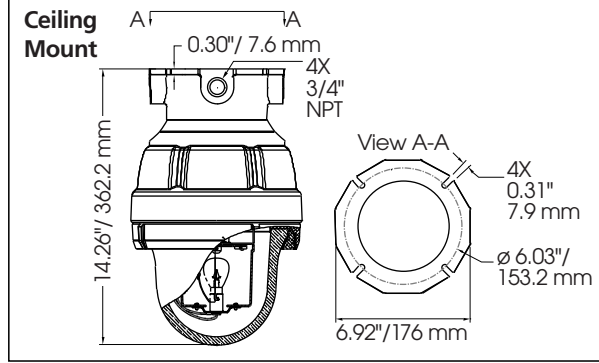
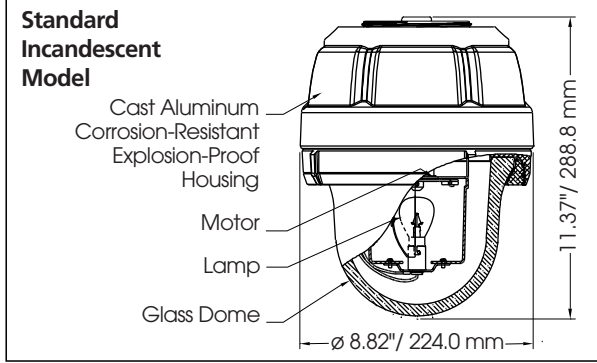
\* Indicates color: (A) Amber, (B) Blue, (C) Clear, (G) Green or (R) Red

<sup>1</sup> See "how to order" for mounting options

### HAZARDOUS LOCATION RATING: 121X

T-CODE AT MAXIMUM AMBIENT TEMPERATURE, °C	
<b>Hazardous Location</b>	<b>40°C</b>
Class I, Division 1, Groups C & D	T6
Class II, Division 1, Groups E, F & G	T5
Class III	T5

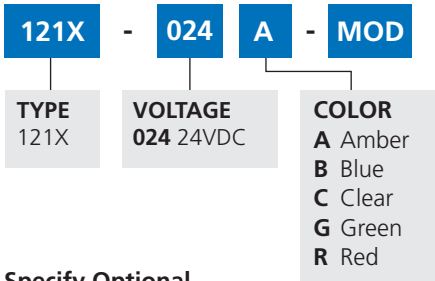
# Explosion-Proof Incandescent Rotating Light (121X)



## SPECIFICATIONS

Lamp Life:	800 Hours	
Light Source:	Incandescent	
Operating Temperature Range:	-67°F to 150°F	-55°C to 65°C
Net Product Weight		
Signal without Mounting:	13.9 lbs	6.3 kg
Ceiling Mount:	4.5 lbs	2.0 kg
Pendant Mount:	2.0 lbs	0.9 kg
Wall Mount:	5.9 lbs	2.7 kg

## HOW TO ORDER



### Specify Optional Mounting:\*

Description	Part Number
Ceiling Mount	CMXC-SB
Pendant Mount	PMXC-SB
Wall Mount	WMXC-SB

\* Mounting kit must be ordered with unit, sold separately

## REPLACEMENT PARTS

Description	Part Number
Exterior Dome Assembly, Clear	K8436147A
Lamp, 24VDC	K8107A041
24VDC Mechanism and Amber Lens Kit	K8444269A
24VDC Mechanism and Blue Lens Kit	K8444269A-01
24VDC Mechanism and Clear Lens Kit	K8444269A-02
24VDC Mechanism and Green Lens Kit	K8444269A-03
24VDC Mechanism and Red Lens Kit	K8444269A-04

## OPTIONAL ACCESSORIES

Description	Part Number
Dome Guard	DGXC-SB