



(Shown with pendant mount. See how to order for mounting options)



► Model 27XL

Explosion-Proof LED Warning Light

Model 27XL explosion-proof LED light is unique to the market because it covers an entire range of possible mounting configurations – including dome up.

Configurable to either steady burning state or flashing mode, 27XL provides improved performance over standard LEDs and increased versatility while maintaining low power consumption and vibration resistance expected from LED devices.

The 27XL features a standard low in-rush circuitry design that provides greater compatibility with factory automation control systems and less electrical interference with in-rush sensitive devices. Corrosion resistance is achieved with a powder coat finish applied over the copper-free aluminum housing.

Because it is easy to install and requires very low maintenance, it is ideal for use in areas such as oil rigs, mines, refineries, and chemical plants.

FEATURES

- Approved for mounting in any manner– including dome up
- Available in 24VAC/DC and 120-240VAC
- 50,000 hour LED
- Six lamp/lens colors: Amber, Blue, Clear, Green, Magenta and Red
- 3/4" NPT pendant, ceiling and wall mount options available
- Flashing or steady-burn mode
- Dome guard optional
- Type 4X, IP66, IP69K enclosure
- Marine Rated
- UL and cUL Listed for Class I, Division 1, Groups C and D; Class II, Division 1, Groups E, F and G; Class I, Division 2, Groups A and B; and Class III

MODEL	VOLTAGE	OPERATING CURRENT	IN-RUSH CURRENT	FLASH RATE/MINUTE
27XL-024 * -MOD¹	24VAC/DC	400 mA	1.75 amps, 5.0 mS	60
27XL-120-240 * -MOD¹	120/240VAC	210/130 mA	2.00 amps, 0.25 mS	60

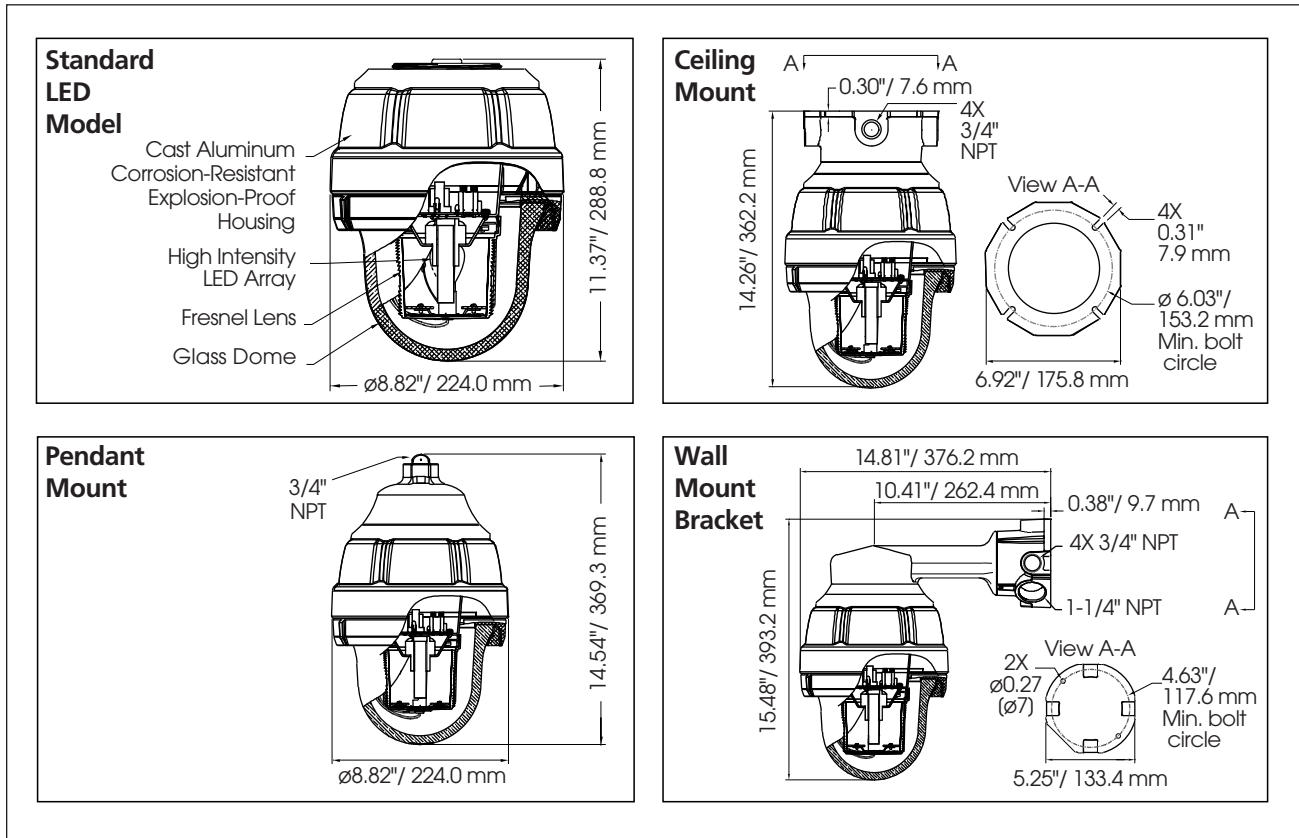
* Indicates color: (A) Amber, (B) Blue, (C) Clear, (G) Green, (M) Magenta or (R) Red

¹ See "how to order" for mounting options.

HAZARDOUS LOCATION RATING: 27XL

Hazardous Location	T-CODE AT MAXIMUM AMBIENT TEMPERATURE, °C					
	40°C		55°C		66°C	
	24VAC/DC	100-265VAC	24VAC/DC	100-265VAC	24VAC/DC	100-265VAC
Class I, Division 1, Groups C, D	T6	T6	T6	T6	T6	T6
Class I, Division 2, Groups A, B	T6	T6	T6	T5	T5	T4A
Class II, Division 1, Groups E, F, G	T6	T6	T6	T6	T4A	T4A
Class III	T6	T6	T6	T6	T6	T6

Explosion-Proof LED Light (27XL)



SPECIFICATIONS

Lamp Life:	50,000 Hours	
Light Source:	LED	
Operating Temperature Range:	-67°F to 150°F -55°C to 65°C	
Net Product Weight		
Signal without Mounting:	13.9 lbs	6.3 kg
Ceiling Mount:	4.5 lbs	2.0 kg
Pendant Mount:	2.0 lbs	0.9 kg
Wall Mount:	5.9 lbs	2.7 kg

HOW TO ORDER

27XL - **024** **A** - **MOD**

TYPE 27XL	VOLTAGE 024 (24VAC/DC) 120-240 (120-240VAC)	COLOR A Amber B Blue C Clear G Green M Magenta R Red
---------------------	----------------------------------------------------------	-------------------------------------------------------------------------------

Specify Optional Mounting:*

Description	Part Number
Ceiling Mount	CMXC-SB
Pendant Mount	PMXC-SB
Wall Mount	WMXC-SB

* Mounting kit must be ordered with unit, sold separately

REPLACEMENT PARTS

Description	Part Number
Exterior Dome Assembly, Clear	K8436147A
Interior Lens Assembly, Amber	K8550292A-02
Interior Lens Assembly, Blue	K8550292A-01
Interior Lens Assembly, Clear	K8550292A
Interior Lens Assembly, Green	K8550292A-04
Interior Lens Assembly, Magenta*	K8550292A-05
Interior Lens Assembly, Red	K8550292A-03
PC board assembly, 24VAC/DC	K2005455A
PC board assembly, 120/240VAC	K2005416A
LED array, Amber	K14700030A-A
LED array, Blue	K14700030A-B
LED array, Clear	K14700030A-W
LED array, Green	K14700030A-G
LED array, Red	K14700030A-R

*Order LED array, Clear with the Magenta Interior Lens Assembly.

OPTIONAL ACCESSORIES

Description	Part Number
Dome Guard	DGXC-SB