



(Shown with pendant mount. See how to order for mounting options)



► Model 27XST

Explosion-Proof Strobe Light



Federal Signal's Model 27XST explosion-proof strobe light features a voltage in-rush limiting PCB design that provides greater compatibility with factory automation control systems and less electrical interference with in-rush sensitive devices.

Three mounting options available: pendant, ceiling or 90° wall mount. For easy installation, the mounting box is first installed and the fixture is then threaded onto the mounting box, making the electrical connection. Pre-install the mounting bracket, electrical continuity is made when five threads are engaged.

Federal Signal's Model 27XST is specifically designed for explosion-proof atmospheres and/or corrosive environments. Because it is easy to install and requires very low maintenance, it is ideal for use in areas such as oil rigs, mines, refineries, and chemical plants.

FEATURES

- Approved for mounting in any manner-including dome up
- Available in 24VDC, 120VAC and 240VAC
- Six lamp/lens colors: Amber, Blue, Clear, Green, Magenta and Red
- 10,000 hour strobe tube
- 3/4" NPT pendant, ceiling and wall mount options available
- Dome guard optional
- Type 4X, IP66, IP69K enclosure
- Marine Rated
- UL and cUL Listed for Class I, Division 1 and 2, Groups C and D; Class I, Division 2, Groups A and B; Class II Division 1, Groups E, F, and G; and Class III
- CSFM Approved

MODEL	VOLTAGE	OPERATING CURRENT	FLASH RATE/ MINUTE	LIGHT OUTPUT	
				PEAK ¹	ECP ²
27XST-024 * -MOD¹	24VDC	1.90 amps (3.0 amp In-rush)	80	2,000,000 cd	850 cd
27XST-120 * -MOD¹	120VAC 50/60Hz	1.14 amps	80	2,000,000 cd	850 cd
27XST-240 * -MOD¹	240VAC 50/60Hz	1.14 amps	80	2,000,000 cd	850 cd

* Indicates color: (A) Amber, (B) Blue, (C) Clear, (G) Green or (R) Red (Magenta available in 120VAC and 240VAC models only)

¹ See "how to order" for mounting options

² Peak candela is the maximum light intensity generated by a flashing light during its light pulse

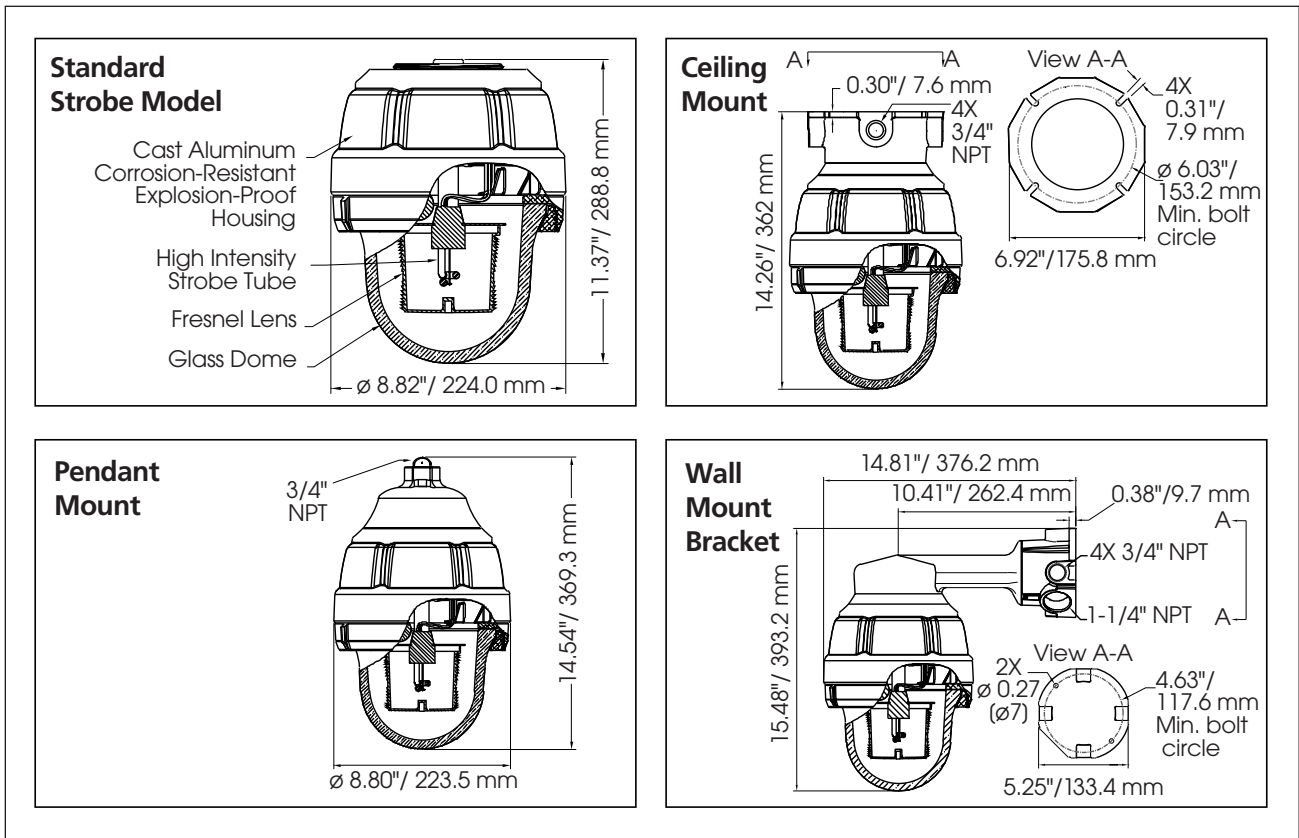
³ ECP (Effective Candela) is the intensity that would appear to an observer if the light were burning steadily

HAZARDOUS LOCATION RATING: 27XST

T-CODE AT MAXIMUM AMBIENT TEMPERATURE, °C

Hazardous Location	40°C	65°C
Class I, Division 1 & 2, Groups C, D	T6	T4A
Class I, Division 2, Groups A, B	T2	T2
Class II, Division 1, Groups E, F, G	T6	T4A
Class III	T6	T4A

Explosion-Proof Strobe Light (27XST)



SPECIFICATIONS

Lamp Life:	10,000 Hours
Light Source:	Strobe Tube
Operating Temperature:	-67°F to 150°F -55°C to 65°C
Net Product Weight	
Signal without Mounting:	13.9 lbs 6.3 kg
Ceiling Mount:	4.5 lbs 2.0 kg
Pendant Mount:	2.0 lbs 0.9 kg
Wall Mount:	5.9 lbs 2.7 kg

HOW TO ORDER

27XST - 024 A - MOD

TYPE
27XST

VOLTAGE
024 (24VDC)
120 (120VAC)
240 (240VAC)

COLOR
A Amber
B Blue
C Clear
G Green
M Magenta
R Red

Specify Optional Mounting:*

Description	Part Number
Ceiling Mount	CMXC-SB
Pendant Mount	PMXC-SB
Wall Mount	WMXC-SB

* Mounting kit must be ordered with unit, sold separately

REPLACEMENT PARTS

Description	Part Number
Exterior Dome Assembly, Clear	K8436147A
Interior Lens Assembly, Amber	K8550C095A-02
Interior Lens Assembly, Blue	K8550C095A-01
Interior Lens Assembly, Clear	K8550C095A
Interior Lens Assembly, Green	K8550C095A-04
Interior Lens Assembly, Magenta	K8550C095A-07
Interior Lens Assembly, Red	K8550C095A-03
24VDC Mechanism	K8436107F-03
120VAC Mechanism	K8436107E-02
240VAC Mechanism	K8436107E-01
Strobe Tube	K8107159A

OPTIONAL ACCESSORIES

Description	Part Number
Dome Guard	DGXC-SB