



► Model 300X

SelecTone® Explosion-Proof 15W Amplified Speaker

Model 300X SelecTone® Amplified Speaker is designed to meet UL 1480 intelligibility requirements producing crisp, clear tones, digital voice messages and live public address in harsh environments with high ambient noise levels.

All surfaces are sealed with powder-coat paint and assembled with stainless steel hardware. Dust- and moisture-proof gaskets provide protection from the elements. This housing incorporates a tool-less rear cover design, eliminating the need for torque specific hardware and solves the problem of missing or lost fasteners.

SelecTone Amplified Speakers are used individually or as part of a plant-wide emergency notification system. The Model UTM Universal Tone Module, with 32 tones, or the TM33-SD Custom Tone Module is plugged into a single SelecTone Amplified Speaker for stand-alone use or into a SelecTone Command Unit for plant-wide signaling.

For plant-wide signaling, a Connector Kit is required for each SelecTone Amplified Speaker and wired to a central controller. SelecTone Command Units and CommCenter® Digital Message Centers broadcast tones, voice messages, melodies and live public address to an unlimited number of SelecTone Amplified Speakers.

Applications for SelecTone include emergency warning, plant evacuation, start and dismissal, public address, and process control.

FEATURES

- Available in 24VAC/DC and 120/240VAC
- Digital Signal Amplification
- Cast copper free aluminum housing, spun aluminum projector
- Built-in gain control, adjustable between 0 dBa to 110 dBa @ 10' (0 dBa to 120 dBa @ 1m)
- Fused input and output
- Indoor/outdoor use
- Type 4X, IP66 enclosure
- UL 1480 and CSFM Approved
- UL and cUL Listed for Class I, Division 1, Groups B, C, and D; Class I, Division 2, Group A; Class II, Division 2, Groups F and G; Class III

MODEL	VOLTAGE	OPERATING CURRENT	STANDBY CURRENT*	DECIBELS	
				10'	1M
300X-024	24VDC	0.76 amps	127 mA	110	120
	24VAC 50/60Hz	1.1 amps	305 mA	110	120
300X-120-240	120VAC 50/60Hz	0.22 amps	80 mA	110	120
	240VAC 50/60Hz	0.11 amps	40 mA	110	120

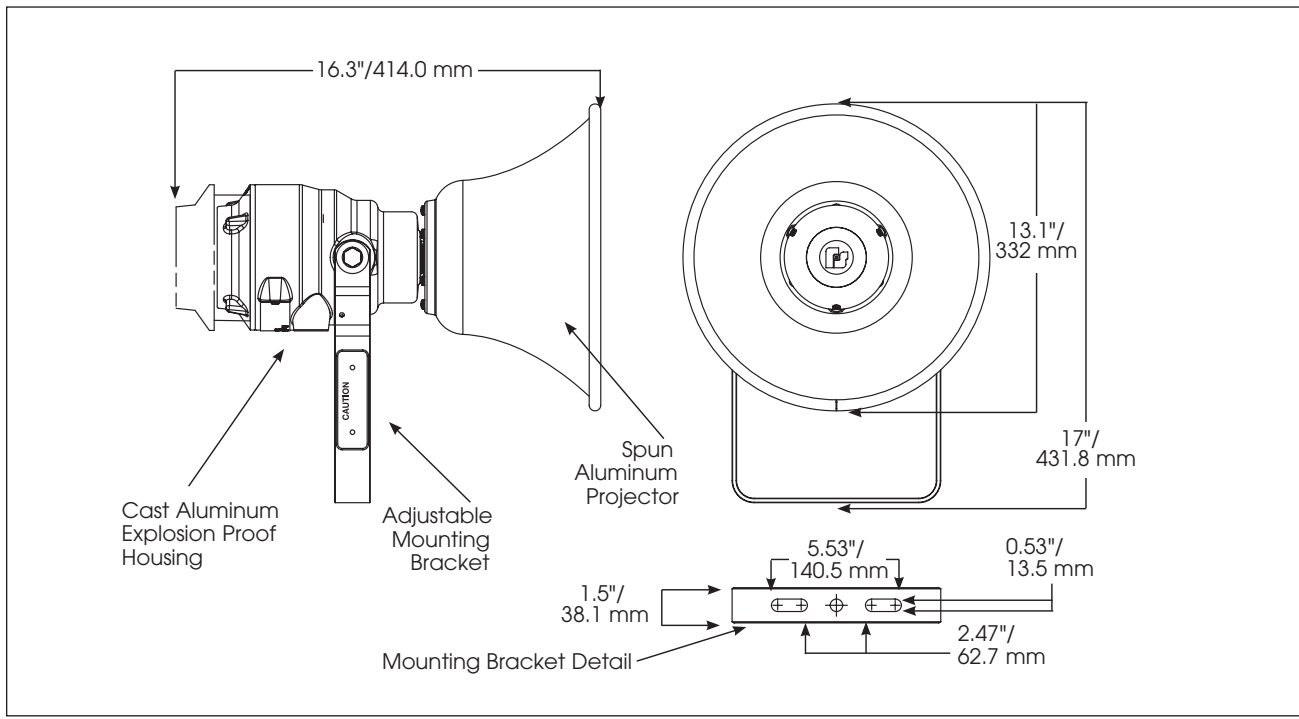
*When used as a powered loud speaker

HAZARDOUS LOCATION RATING: 300X

T-CODE AT MAXIMUM AMBIENT TEMPERATURE, °C

Hazardous Location	40°C	66°C
Class I, Division 1, Groups B, C, D	T6	T6
Class I, Division 2, Group A	T5	T4A
Class II, Division 2, Groups F, G	T6	T6
Class III	T6	T6

SelecTone® Explosion-Proof 15W Amplified Speaker (300X)



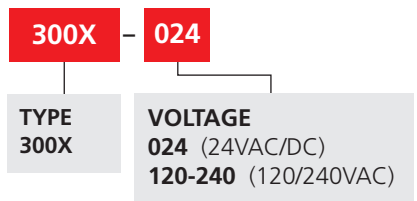
SPECIFICATIONS

Operating Temperature:	-67°F to 151°F	-55°C to 66°C
Rated Power		15 watt
Net Weight:		
24VAC/DC	15.4 lbs	7.0 kg
120/240VAC	16.3 lbs	7.4 kg
Shipping Weight:		
24VAC/DC	22.8 lbs	10.4 kg
120/240VAC	23.8 lbs	10.8 kg
Height:	17.0"	431.8 mm
Width:	13.1"	332.7 mm
Depth:	16.3"	414.0 mm

REPLACEMENT PARTS

Description	Part Number
Amplifier Assembly, 24VAC/DC	K2005618A-03
Amplifier Assembly, 120/240VAC	K2005618A-05
Projector Assembly, Gray, 15W	K8593100A
Mounting Bracket Assembly	K8593071A
Gasket, Diaphragm	K8590243A

HOW TO ORDER



1. **Select Model:**
2. **Select Required Accessory (sold separately)**
 - A. For stand alone operation, select Tone Module:
 - UTM** – Universal Tone Module (Reference page 199 for list of tones)
 - TM33-SD** – Custom Tone Module (Reference page 201 for list of tones)
 - B. For use in systems*, select Connector Kit. (Reference page 202 for Connector Kits)
 - AM25CK** – 25 Vrms, 1 Vrms
 - AM70CK** – 70 Vrms, 1 Vrms
 - 300CK** – 10 Vrms, 1 Vrms
 - T-300CK** – 2.7 Vrms, 1 Vrms
 - E-300CK** – 1 Vrms, 1 Vrms

*Call factory for design assistance