



► Model 191XL

# Hazardous Location Division Listed LED Light



Model 191XL is a hazardous location flashing signal light that comes standard in flashing mode and is field configurable to steady-burn mode for maximum functionality.

Federal Signal's super bright LED array used in the 191XL produces intense light output and 50,000 hours of service. Increased shock and vibration resistance add to this unit's rugged industrial portfolio of features.

## FEATURES

- Available in 24VAC/DC, 120-240VAC and 277VAC
- Five lamp/lens colors: Amber, Blue, Clear, Green and Red
- Flashing mode standard, configurable to steady-burn
- 50,000 hours, vibration-resistant LED lamp
- Dome guard included
- Available in 3/4-inch NPT pipe mount or surface mount
- Type 4X, IP66 enclosure
- IP69K compliant
- Marine Listed
- UL and cUL Listed for Class I, Division 2, Groups A, B, C and D; Class II, Division 1, Groups E, F and G; Class III

MODEL	VOLTAGE	OPERATING CURRENT	IN-RUSH CURRENT	FLASH RATE/ MINUTE	MOUNT	LIGHT OUTPUT
<b>191XL- * 024 **</b>	24VAC/DC	0.40 amps	1.75 amps, 5.0 mS	60	3/4" NPT Pipe or Surface	200 cd***
<b>191XL- * 120 240 **</b>	120/240VAC	0.21/0.13 amps	2.0 amps, 0.25 mS	60	3/4" NPT Pipe or Surface	200 cd***
<b>191XL-277 **</b>	277VAC	0.13 amps	9.75 amps, 0.25mS	60	3/4" NPT Pipe	200 cd***

\* Include (S) for Surface Mount Option (Example part number: 191XL-S120240R for surface mount option, 191XL-120-240R for pipe mount)

\*\* Indicates color: (A) Amber, (B) Blue, (C) Clear, (G) Green or (R) Red

\*\*\* Tested with clear lens and flashing mode

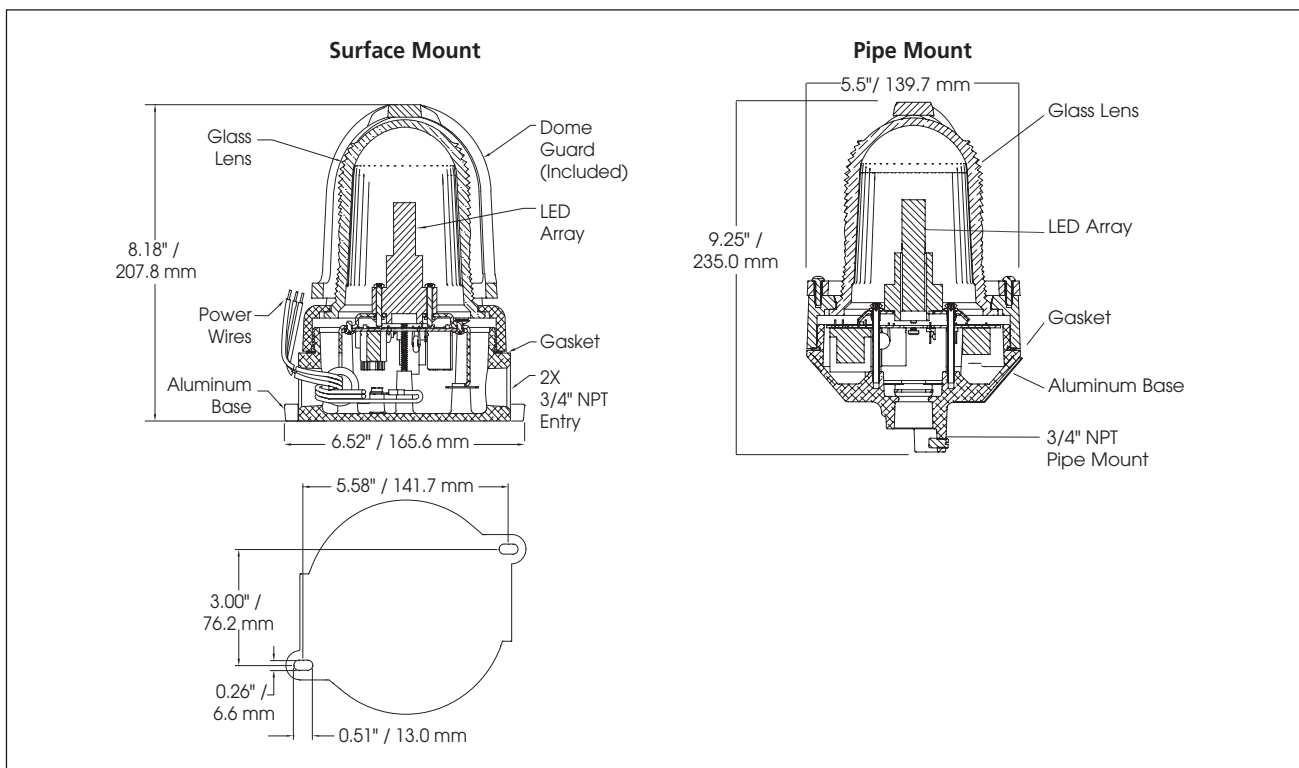
Note: When ordering the 120/240 voltage, use 120-240 for the pipe mount model and 120240 for the surface mount model

### HAZARDOUS LOCATION RATING: 191XL

T-CODE AT MAXIMUM AMBIENT TEMPERATURE, °C

Hazardous Location	40°C			55°C			66°C		
	24 VAC/DC	100-265 VAC	277 VAC	24 VAC/DC	100-265 VAC	277 VAC	24 VAC/DC	100-265 VAC	277 VAC
Class I, Division 2, Groups A, B, C, D	T6	T6	T5	T5	T5	T5	T4A	T4A	T5
Class II, Division 1, Groups E, F, G	T6	T6	T5	T6	T6	T5	T6	T6	T5
Class III	T6	T6	T5	T6	T6	T5	T6	T6	T5

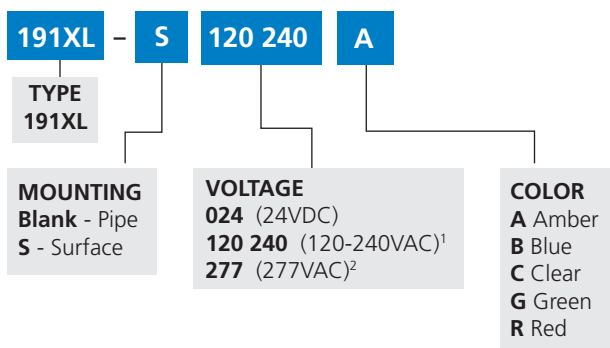
# Hazardous Location Division Listed LED Light (191XL)



## SPECIFICATIONS

Lamp Life:	50,000 Hours
Light Source:	LED
Operating Temperature:	-58°F to 150°F -50°C to 66°C
Net Weight:	4.0 lbs 1.81 kg
Shipping Weight:	4.25 lbs 1.93 kg
<b>Pipe Mount</b>	
Height (with Dome Guard):	9.25" 235.0 mm
Diameter:	5.5" 139.7 mm
<b>Surface Mount</b>	
Height (with Dome Guard)	8.18" 207.8 mm
Diameter	6.52" 165.6 mm

## HOW TO ORDER



<sup>1</sup> When ordering the 120/240 voltage, use 120-240 for the pipe mount model and 120240 for the surface mount model

<sup>2</sup> 277VAC versions are available in pipe mount only

## REPLACEMENT PARTS

Description	Part Number
LED array, Amber	K14700030A-A
LED array, Blue	K14700030A-B
LED array, Clear	K14700030A-W
LED array, Green	K14700030A-G
LED array, Red	K14700030A-R
PC Board Assembly, 24VDC	K2005455A
PC Board Assembly, 120/240VAC	K2005416A
PC Board Assembly, 277VAC	K2005416A-01
Glass Lens/Ring Assembly, Amber <sup>1</sup>	K8449078C-01
Glass Lens/Ring Assembly, Blue <sup>1</sup>	K8449078C-06
Glass Lens/Ring Assembly, Clear <sup>1</sup>	K8449078C-04
Glass Lens/Ring Assembly, Green <sup>1</sup>	K8449078C-07
Glass Lens/Ring Assembly, Red <sup>1</sup>	K8449078C
Guard, Dome	K8449090C

<sup>1</sup>Assembly includes a gasket

## OPTIONAL ACCESSORIES

Description	Part Number
Hazardous Location Mounting Bracket	LHWB
Mounting Bracket shown on pages 138-139	