

► Models 224XST

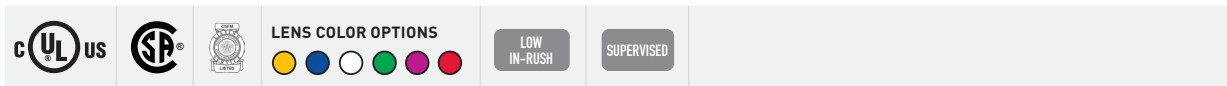
Electrarray® Supervised Hazardous Location Strobe Lights



Federal Signal's Electrarray® Model 224XST hazardous location strobe light provides (80) high-intensity flashes per minute.

The 24 Vdc 224XST features an in-rush limiting PCB design that provides greater compatibility control systems and less electrical interference with in-rush sensitive devices.

Model 224XST is ideal for wet, corrosive atmospheres or environments that require wash down like those found in food processing, chemical or petro-chemical, or anywhere a highly visible hazardous location signal is needed.



FEATURES

- 24 Vdc
- Four wires and supervisory diode
- Integrated in-rush limiting circuit
- Six lens colors:
Amber, Blue, Clear, Green, Magenta, and Red
- 10,000 hour, high-intensity strobe tube
- 1/2-inch NPT pipe mount
- Aluminum base with black polyurethane coating for superior corrosion resistance
- Conformal coated PCB
- Type 4X, IP66 enclosure
- IP69K compliant
- CSFM Approved
- CSA Certified
- UL and cUL Listed for Class I, Division 2, Groups A, B, C and D; Class II, Division 2, Groups F and G; and Class III

MODEL	VOLTAGE	OPERATING CURRENT	FLASH RATE / MINUTE	CANDELA PEAK ¹	ECP ²	MOUNT
224XST-024*	24 Vdc	0.7 A (2.0 A, in-rush)	80	580,000	240	1/2-inch NPT Pipe/Surface

* Indicates color: (A) Amber, (B) Blue, (C) Clear, (G) Green, (M) Magenta or (R) Red

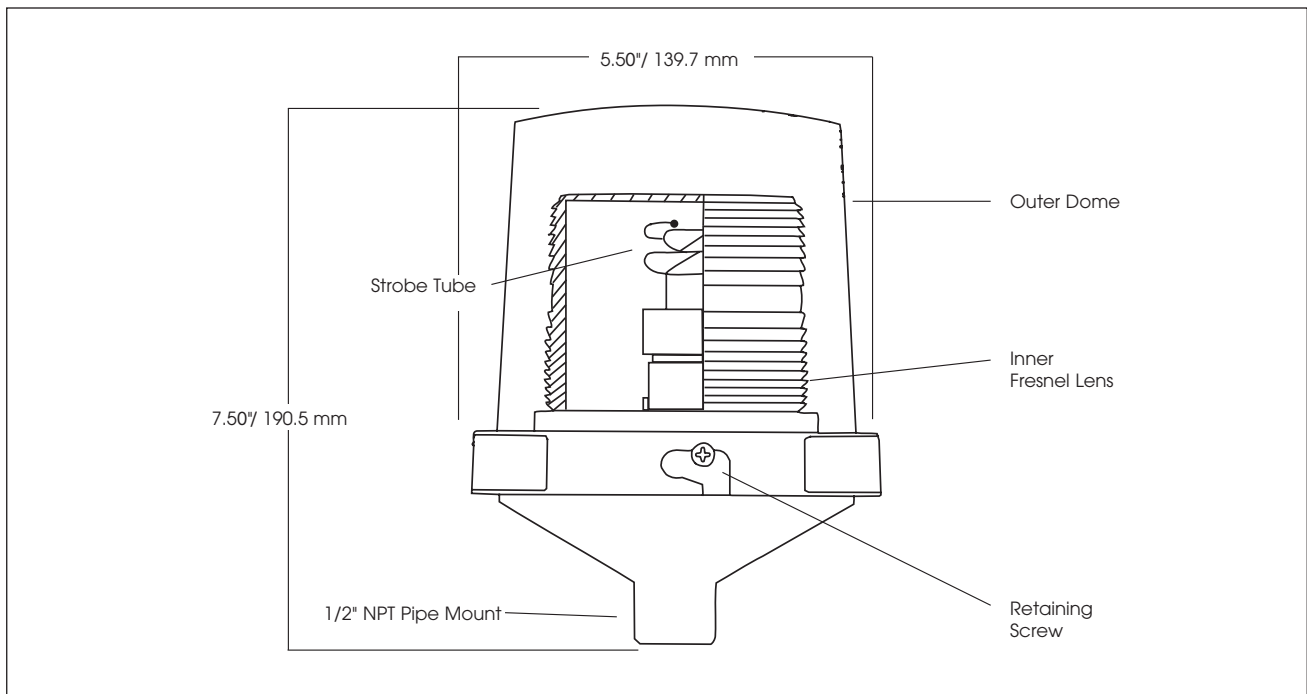
¹ Peak candela is the maximum light intensity generated by a flashing light during its light pulse

² ECP (Effective Candela) is the intensity that would appear to an observer if the light were burning steadily

HAZARDOUS LOCATION RATING: 224XST

T-CODE AT MAXIMUM AMBIENT TEMPERATURE, °C	
HAZARDOUS LOCATION	40°C
Class I, Division 2, Groups A, B, C, D	T2A
Class II, Division 2, Groups F, G	T5
Class III	T5

Electraray® Supervised Hazardous Location Strobe Lights (224XST)



SPECIFICATIONS

Lamp Life:	10,000 Hours
Light Source:	Strobe
Operating Temperature:	-40° to 104°F (-40° to 40°C)
Net Weight:	1.5 lb (0.68 kg)
Shipping Weight:	2.0 lb (0.91 kg)
Height:	7.5 in (190.5 mm)
Diameter:	5.5 in (139.7 mm)

REPLACEMENT PARTS

Description	Part Number
Interior Lens, Amber	K8550C095A-02
Interior Lens, Blue	K8550C095A-01
Interior Lens, Clear	K8550C095A
Interior Lens, Green	K8550C095A-04
Interior Lens, Magenta	K8550C095A-07
Interior Lens, Red	K8550C095A-03
Exterior Dome, Clear	K8444D219C-04
Strobe Tube	K8107177A

HOW TO ORDER

