



► Models AM300GCX and AM302GCX

AudioMaster® Public Address Hazardous Location Speakers

Federal Signal Models AM300GCX and AM302GCX are rugged, transformer-coupled, re-entrant speakers for use in public address or paging applications. These speakers feature rugged cones and projectors constructed of spun aluminum. The wiring connections are enclosed in a dust- and moisture-proof, diecast aluminum compartment. All external surfaces are finished with a Red or Gray powder coat paint.

The unique shape of the speaker projectors provides an impressive 60° sound dispersion pattern. The projectors are held in position with a Teflon®-coated lock ring that can be rotated 180° in order to obtain the desired sound distribution.

Models AM300GCX and the AM302GCX can be used in supervised alarm notification systems or CTS series amplifiers with the AudioRouter™ to complete an industrial grade public address system.

FEATURES

- 15 watt (AM300GCX) or 30 watt (AM302GCX)
- 25 or 70 V_{rms}
- Transformer coupled
- Re-entrant horn design
- Wall mount
- 1/2-inch conduit openings
- Type 4X, IP66 enclosure
- IP69K compliant
- CSFM Approved
- UL and cUL Listed for Class I, Division 2, Groups A, B, C, and D; Class II, Division 2, Groups F and G; Class III
- NEC/CEC rated Class I, Zone 2, Group IIC
- UL Fire Listed
- ULC Fire Listed

MODEL	POWER HANDLING	FREQUENCY RESPONSE	TRANSFORMER	POWER TAPS	BEAM WIDTH	SPL PER 10'	UL 1480 1M
AM300GCX-*	15 watt	600-5000 Hz	25/70 V _{rms}	15, 9, 3, 1.5	60°	110 dBa	120 dBa
AM302GCX-*	30 watt	400-4000 Hz	25/70 V _{rms}	30, 15, 9	60°	114 dBa	124 dBa

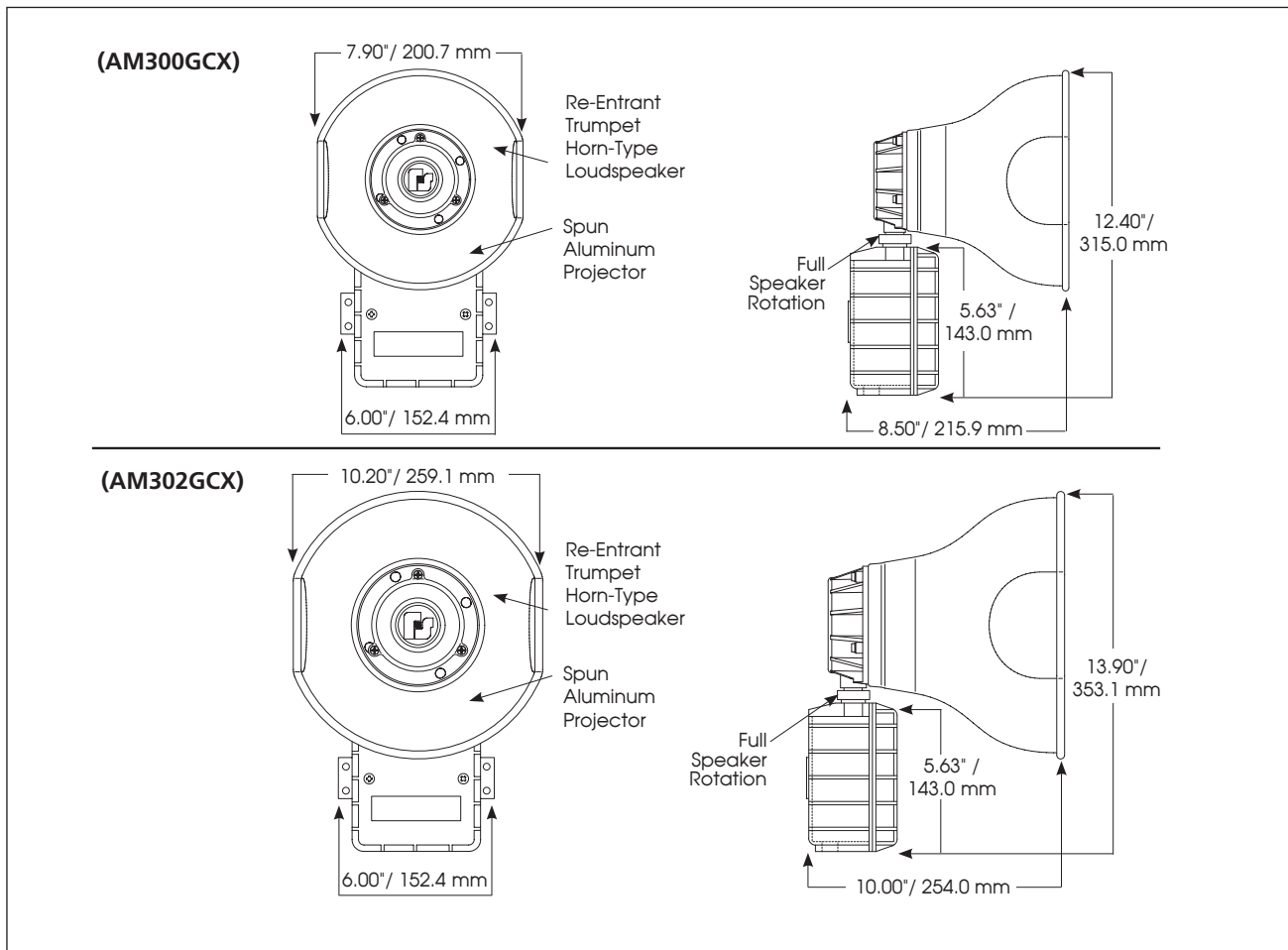
* Indicates housing color: (-R) for Red housing, leave blank for Gray

HAZARDOUS LOCATION RATING: AM300GCX and AM302GCX

T-CODE AT MAXIMUM AMBIENT TEMPERATURE, °C

Hazardous Location	AM300GCX		AM302GCX	
	40°C	66°C	40°C	66°C
Class I, Division 2, Groups A, B, C, D	T6	T4A	T5	T4A
Class II, Division 2, Groups F, G	T6	T6	T6	T6
Class III	T6	T6	T6	T6

AudioMaster® Public Address Hazardous Location Speakers (AM300GCX and AM302GCX)



SPECIFICATIONS

AM300GCX

Operating Temperature:	-67° to 150°F	-55° to 66°C
Net Weight:	4.85 lb	2.2 kg
Shipping Weight:	6.0 lb	2.72 kg
Height:	12.40"	315.0 mm
Width:	7.90"	200.7 mm
Depth:	8.50"	215.9 mm

AM302GCX-R

Operating Temperature:	-67° to 150°F	-55° to 66°C
Net Weight:	7.2 lb	3.3 kg
Shipping Weight:	8.1 lb	3.67 kg
Height:	13.90"	353.1 mm
Width:	10.20"	259.1 mm
Depth:	10.00"	254.0 mm

HOW TO ORDER

AM300GCX - R

TYPE
AM300GCX (15 watt)
AM302GCX (30 watt)

HOUSING COLOR
R Red
BLANK Gray

REPLACEMENT PARTS

Description	Part Number
15 W Speaker Assembly, Gray for AM300GCX	K8593082A
15 W Diaphragm, Voice Coil, Butterfly Assembly for AM300GCX	K8593035A
30 W Speaker Assembly, Gray for AM302GCX	K8593103A
30 W Diaphragm, Voice Coil, Butterfly Assembly for AM302GCX	K8590246A
Diaphragm Gasket for AM302GCX	K8590243A
Housing Gasket for AM300GCX/AM302GCX	K288A043