



► Model 121A

Vitalite® Rotating Light



The Federal Signal Vitalite® Model 121A is compact, rotating light featuring a parabolic reflector that rotates around an incandescent lamp, providing 60 flashes per minute in all directions. Model available in five dome colors — Amber, Blue, Clear, Green and Red.

The 121A rotating light is designed for in-plant applications. This unit can be surface mounted or mounted on a 1/2" NPT pipe with the integrated pipe mount. The 121A is available in 24VDC. It features a parabolic reflector which rotates around an incandescent lamp, providing 60 flashes per minute in all directions.

Federal Signal's 121A comes ready to mount on a 1/2-inch NPT pipe or surface mount. Optional brackets simplify installation on walls or in corners (see pages 134-137). The enclosure is also rated Type 4X for a water-tight and dust-tight seal.

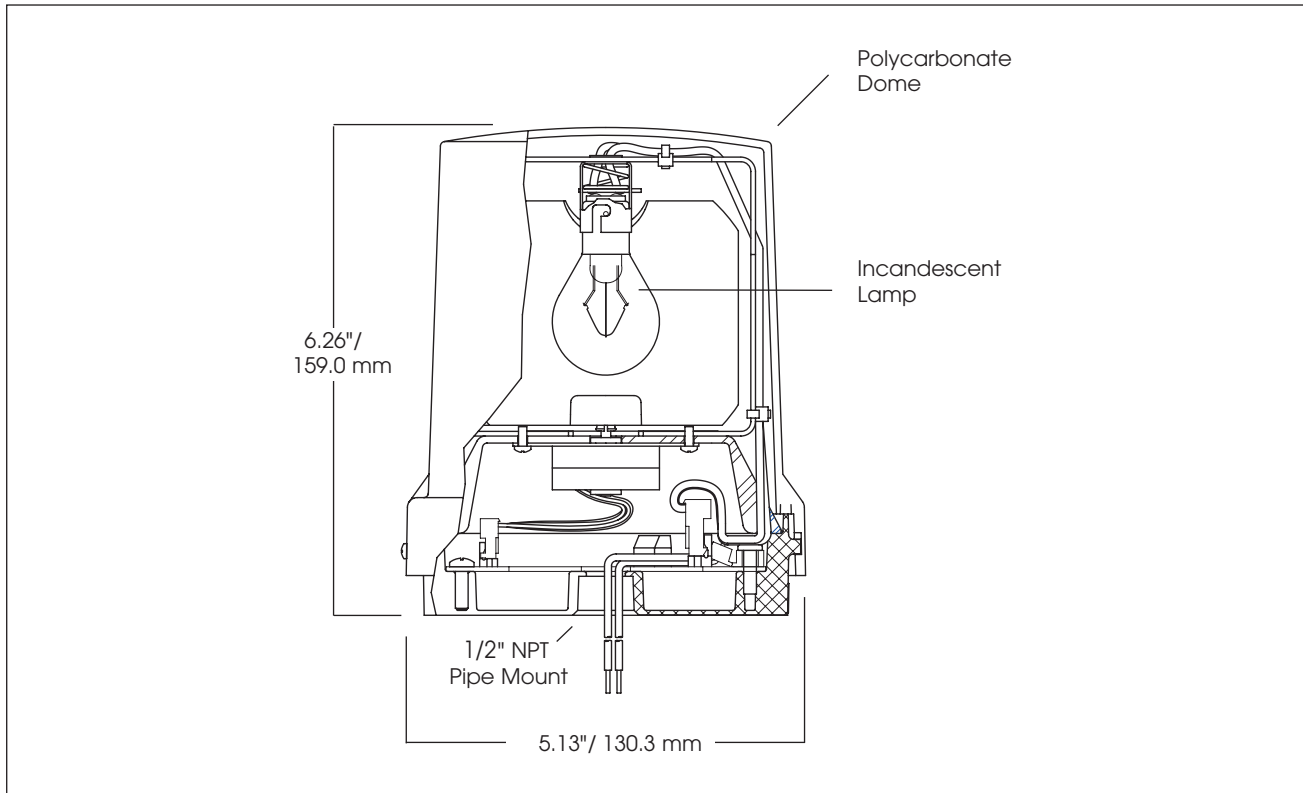
FEATURES

- Available in 24VDC
- Integrated pipe and surface mount
- Type 4X, IP66, IP69K enclosure
- UL and cUL Listed and CSA Certified

MODEL	VOLTAGE	OPERATING CURRENT	FLASH RATE/ MINUTE	LIGHT OUTPUT	MOUNT
121A-024 *	24VDC	1.3 amps	60	4,000 cd	Pipe/Surface

* Indicates color: (A) Amber, (B) Blue, (C) Clear, (G) Green, or (R) Red

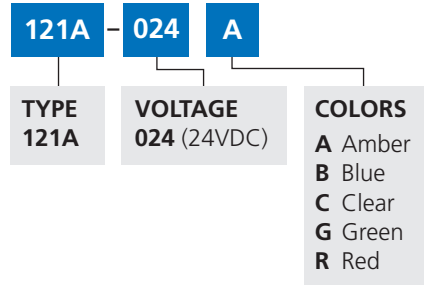
Vitalite® Rotating Warning Light (121A)



SPECIFICATIONS

Lamp Life:	300 Hours	
Light Source:	Incandescent	
Operating Temperature:	-31°F to 150°F	-35°C to 66°C
Net Weight:	1.8 lbs	0.82 kg
Shipping Weight:	1.9 lbs	0.86 kg
Height:	6.26"	159.0 mm
Diameter:	5.13"	130.3 mm

HOW TO ORDER



REPLACEMENT PARTS

Description (Current Series)	Part Number
Dome, Amber, Series C	K8444357A-02
Dome, Blue, Series C	K8444357A-01
Dome, Clear, Series C	K8444357A
Dome, Green, Series C	K8444357A-04
Dome, Red, Series C	K8444357A-03
Incandescent Lamp, 24VDC	K8107236A

OPTIONAL ACCESSORIES

Description	Part Number
Corner Bracket	LCMB2*
Wall Bracket	LWMB2*
Hazardous Location Mounting Bracket	LHWB

*Rated for NEMA 3R installations
 Mounting Brackets shown on pages 134-137