



► Models SCB and SCC

SemiStat® Status Indicators

Federal Signal's SemiStat® Status Indicators are designed to meet the needs of the OEM market.

The snap fit ABS housing cover and a standard terminal block make installation and wiring of the SemiStat a quick job.

SemiStat LED light modules utilize extremely bright light emitting diodes for the greatest attention-getting effect. The Tri-Color SemiStat features Red, Amber and Green light modules, and the Quad-Color SemiStat features Red, Amber, Green and Blue light modules. The sequence of the LED light modules can be easily changed to suit the application – just pop off the housing cover, disconnect the modules and reconnect in the desired order.

For further utility, each SemiStat is equipped with an integrated piezo sounder. SemiStat sounders produce 60 dBa at ten feet. A selection of two beep patterns is offered.

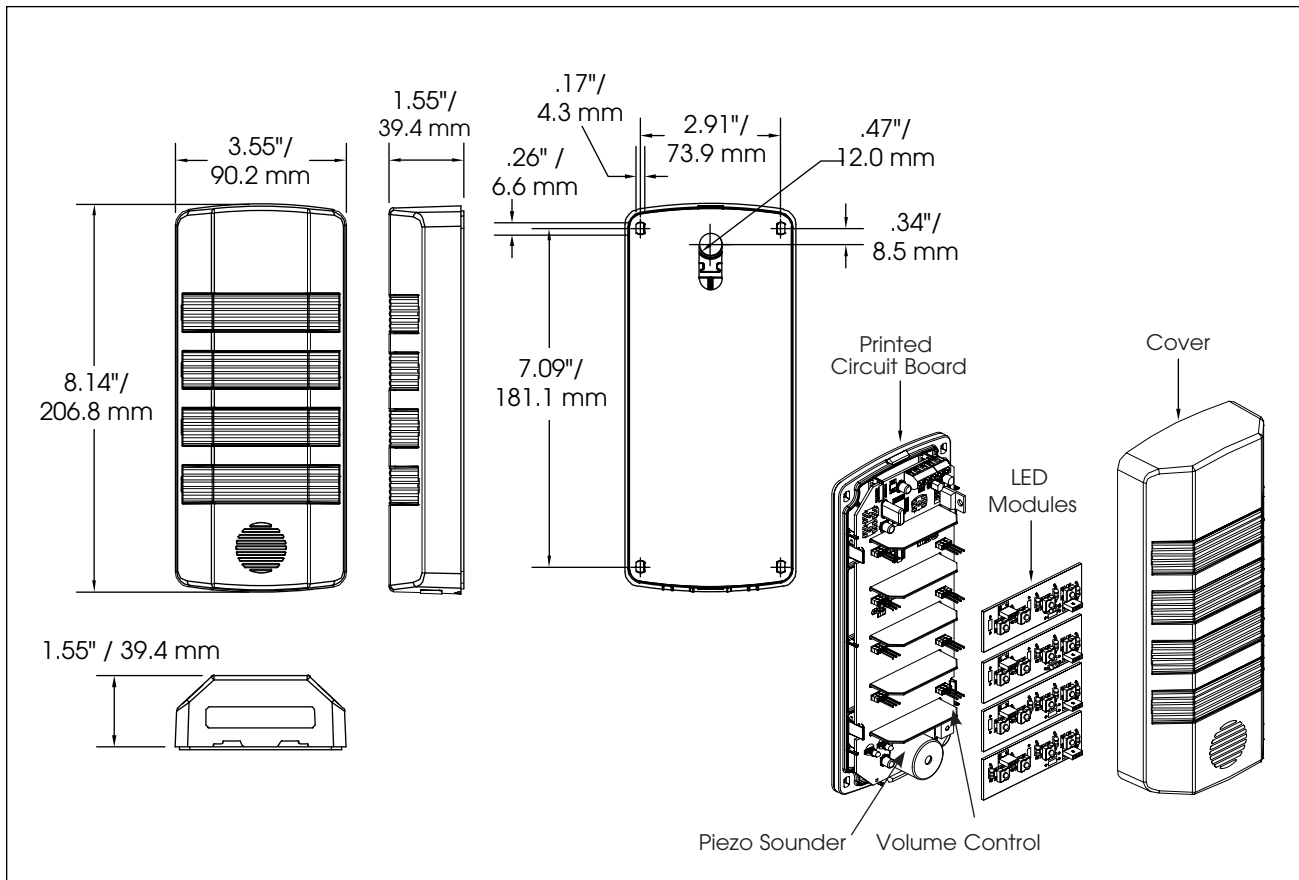
FEATURES

- Available in 24VAC/DC
- Tri- or quad-color models
- Available in chrome or white finish
- 50,000 hour vibration-resistant LED lamps
- Flashing or steady light effects
- Integrated volume control
- Integrated sounder, 60 dBa @ 10', 2 selectable tones
- Surface mount
- Indoor use only
- PLC compatible

MODEL	DESCRIPTION	VOLTAGE	OPERATING CURRENT	DECIBELS		MOUNT
				10'	1M	
SCB-024TC	Tri-color, white finish	24VAC/DC	150 mA*	60	70	Surface
SCB-024QC	Quad-color, white finish	24VAC/DC	175 mA*	60	70	Surface
SCC-024TC	Tri-color, chrome finish	24VAC/DC	150 mA*	60	70	Surface
SCC-024QC	Quad-color, chrome finish	24VAC/DC	175 mA*	60	70	Surface

*Amp draw measured with all colors and sounder activated simultaneously.

SemiStat® Status Indicators (SCB and SCC)



SPECIFICATIONS

Lamp Life:		50,000 Hours
Light Source:		LED
Operating Temperature:	32°F to 140°F	0°C to 60°C
Net Weight:	0.7 lbs	0.32 kg
Shipping Weight:	1.0 lbs	0.45 kg
Height:	8.14"	206.8 mm
Width:	3.55"	90.2 mm
Depth:	1.55"	39.4 mm

REPLACEMENT PARTS

Description	Part Number
LED Module, Amber	K2001925A-01
LED Module, Blue	K2001925A-02
LED Module, Red	K2001925A
LED Module, Green	K2001925A-03

HOW TO ORDER

