



▶ Model LP1

StreamLine® Low Profile Mini Strobes

Model LP1 low profile strobe light is a rectangular Type 4X strobe light that is available in five colors: Amber, Blue, Clear, Green, and Red. The LP1 is designed to be flush mounted to control panels or other flat surfaces. Mounting is accomplished with two supplied 1-1/4-inch 8/32 slotted hex bolts. A neoprene gasket is supplied to create a watertight and dust-tight seal. The gasket mounts between the base of the light and the mounting surface.

The LP1 is especially suited for use on control panels, machines, above entry ways, on walls, and along assembly lines. The 12 and 24 Vdc units are suitable in battery backup systems and vehicular applications, such as forklifts and moving guided vehicles.



LENS COLOR OPTIONS



FEATURES

- Available in 12 Vdc, 24 Vdc and 120 Vac
- Surface mount
- Five lens colors: Amber, Blue, Clear, Green, and Red
- Conformal coated PCB
- Type 4X enclosure
- UL and cUL Listed

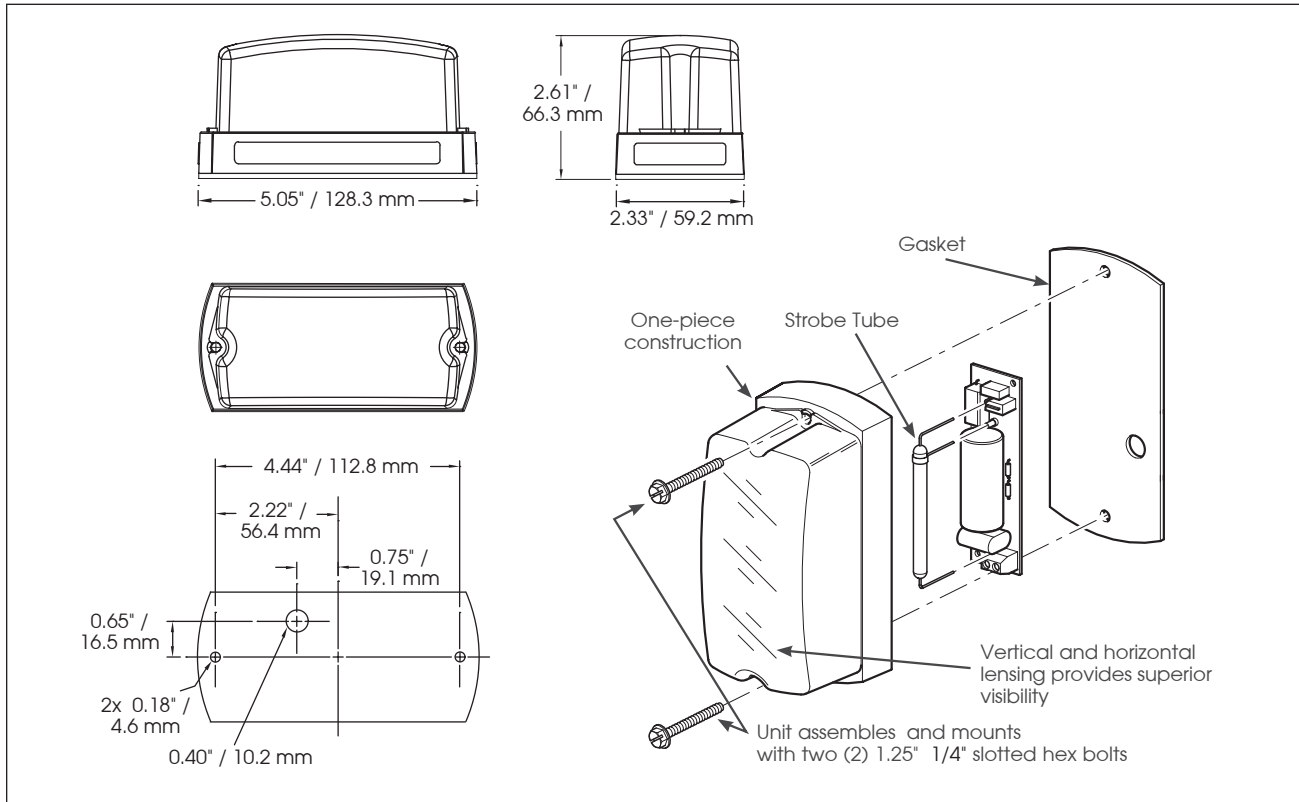
MODEL	VOLTAGE	OPERATING CURRENT	FLASH RATE/ MINUTE	LIGHT OUTPUT		MOUNT
				PEAK ¹	ECP ²	
LP1-012*	12 Vdc	0.18 A	80	108,000 cd	30 cd	Surface
LP1-024*	24 Vdc	0.08 A	80	108,000 cd	30 cd	Surface
LP1-120*	120 Vac	0.06 A	80	108,000 cd	30 cd	Surface

* Indicates color: (A) Amber, (B) Blue, (C) Clear, (G) Green, or (R) Red

¹ Peak candela is the maximum light intensity generated by a flashing light during its light pulse

² ECP (Effective Candela) is the intensity that would appear to an observer if the light were burning steadily

StreamLine® Low-Profile Mini Strobes (LP1)



SPECIFICATIONS

Lamp Life:	4,000 Hours
Light Source:	Strobe tube
Operating Temperature:	-31° to 151°F (-35° to 66°C)
Net Weight:	0.23 lb (0.1 kg)
Shipping Weight:	0.6 lb (0.27 kg)
Height:	2.61 in (66.3 mm)
Width:	2.33 in (59.2 mm)
Length:	5.05 in (128.3 mm)

REPLACEMENT PARTS

Description	Part Number
Replacement Strobe Tube	K149128A
Housing and Lens Assembly, Amber	K8435711A-02
Housing and Lens Assembly, Blue	K8435711A-03
Housing and Lens Assembly, Clear	K8435711A
Housing and Lens Assembly, Green	K8435711A-04
Housing and Lens Assembly, Red	K8435711A-01
PCBA, 120 Vac	K2001195E

HOW TO ORDER

