



► Model FB24STHI and FB24STHI-024C-CN

Fireball® Supervised Hearing Impaired Strobe Warning Light

The Model FB24STHI features a voltage in-rush limiting PCB design that provides greater compatibility with control systems and panels and less electrical interference with in-rush sensitive devices.

The Fireball FB24STHI contains a supervisory diode and four wire leads, for use in fire alarm applications. This strobe is UL Listed and ULC Fire Listed for hearing impaired applications and ULC Fire Listed

FEATURES

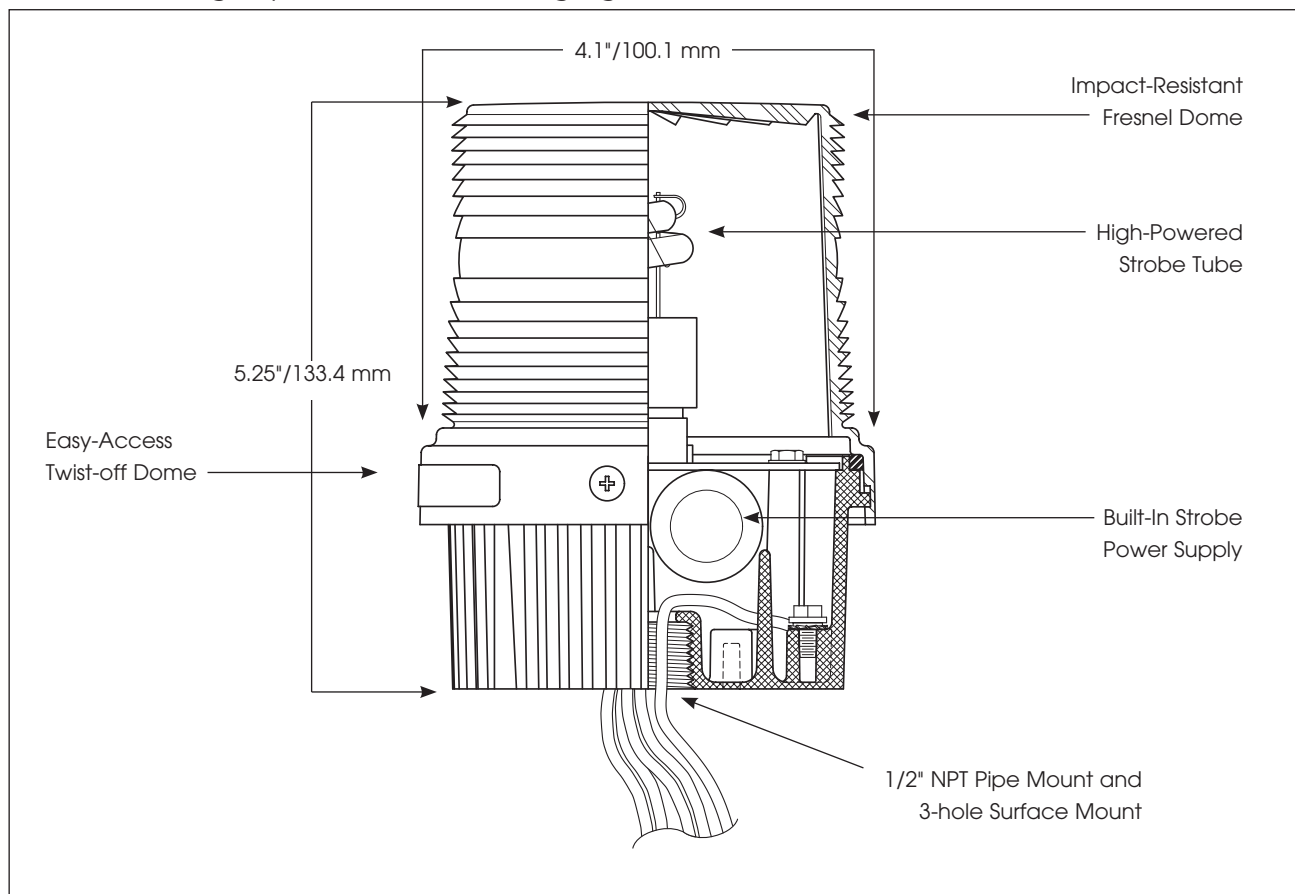
- Available in 24VDC
- Four wires and supervisory diode
- Clear dome
- Easy twist off dome for re-lamping
- Integrated 1/2-inch NPT pipe and surface mount
- 10,000 hour strobe tube
- Black epoxy coating for superior corrosion resistance
- 1,000,000 peak candela (300 effective)
- Type 4X, IP66, IP69K enclosure
- In-rush protected
- CSFM Approved
- FB24STHI-024C is UL Fire Listed
FB24STHI-024C-CN is ULC Fire Listed

MODEL	VOLTAGE	OPERATING CURRENT	FLASH RATE / MINUTE	CANDELA PEAK ¹	ECP ²	MOUNT
FB24STHI-024C FB24STHI-024C-CN	24VDC	0.7 amps (2.0 amp, in-rush)	80	1,000,000	300	1/2" NPT Pipe/Surface

¹ Peak candela is the maximum light intensity generated by a flashing light during its light pulse

² ECP (Effective Candela) is the intensity that would appear to an observer if the light were burning steadily

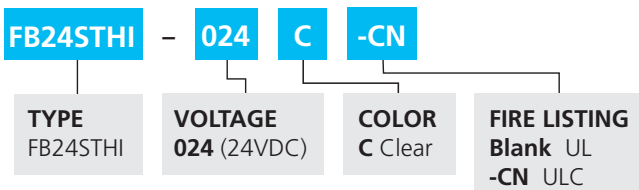
Fireball® Hearing Impaired Strobe Warning Light (FB24STHI/FB24STHI-024C-CN)



SPECIFICATIONS

Lamp Life:	10,000 Hours	
Lamp Source:	Strobe	
Operating Temperature:	-31°F to 150°F	-35°C to 66°C
Net Weight:	1.45 lbs	0.7 kg
Shipping Weight:	1.7 lbs	0.8 kg
Height:	5.25"	133.4 mm
Diameter:	4.1"	100.1 mm

HOW TO ORDER



REPLACEMENT PARTS *

Description	Part Number
Dome, Clear	K8550320A-02
Strobe Tube	K8107177A

OPTIONAL ACCESSORIES

Description	Part Number
Corner Bracket	LCMB2*
Wall Bracket	LWMB2

*Bracket not Type 4X rated.
Mounting Brackets shown on pages 128-131