

25500176A Rev. A0

Safety Message to Installers of Warning Light Equipment

⚠ WARNING

People's lives depend on your proper installation and servicing of Federal Signal products. It is important to read and follow all instructions shipped with this product and the original product. In addition, listed below are some other important safety instructions and precautions you should follow:

- To properly install the lighting system, you must have a good understanding of automotive systems, along with proficiency in the installation and use of safety warning equipment.
- Do not install equipment or route wiring in the deployment path of an airbag.
- If a vehicle seat is temporarily removed, verify with the vehicle manufacturer if the seat needs to be recalibrated for proper airbag deployment.
- You should frequently inspect the light system to ensure that it is operating properly and that it is securely attached to the vehicle.
- When drilling into a vehicle structure, be sure that both sides of the surface are clear of anything that could be damaged.
- Refer to the instructions packed with related products for additional precautions and information.
- File these instructions in a safe place and refer to them when maintaining and/or reinstalling the product.
- Do not stare directly into the lights at a close range or permanent damage to your eyesight may occur.

Failure to follow all precautions and instructions may result in property damage, serious injury, or death.

Introduction

This publication has instructions for using the MBK03H Mounting Kit to mount the MB1 Message Board to a hook-mounted Valor lightbar. It is designed for hard-wired Valor lightbars and will not clear the optional Valor Quick Disconnect.

NOTE: This bracket kit is installed using hardware supplied with the Valor lightbar and MB1 Message Board. Depending on the application and mounting height, the 3-1/2" long, 5/16"-18 bolts supplied with the lightbar for the gutter hook may be too short. Longer bolts are available from leading hardware suppliers.

Unpacking the Kit

After unpacking the kit, inspect it for damage that may have occurred in transit. If it has been damaged, do not attempt to install or operate it. File a claim immediately with the carrier, stating the extent of damage. Carefully check all envelopes, shipping labels, and tags before removing or destroying them. Ensure that the parts listed in Table 1 are included in the package. If you are missing any parts, contact Customer Support at 1-800-264-3578, 7 a.m. to 5 p.m., Monday through Friday (CT).

Table 1 Kit contents*

Qty.	Description	Part Number
1	Bracket, MB1, Valor, Mounting, Driver Side	865101106-DS
1	Bracket, MB1, Valor, Mounting, Passenger Side	865101106-PS
4	Bracket Assembly, Adjustable Foot, Tall, Valor	865101108

See note on page 3.

Mounting the Message Board

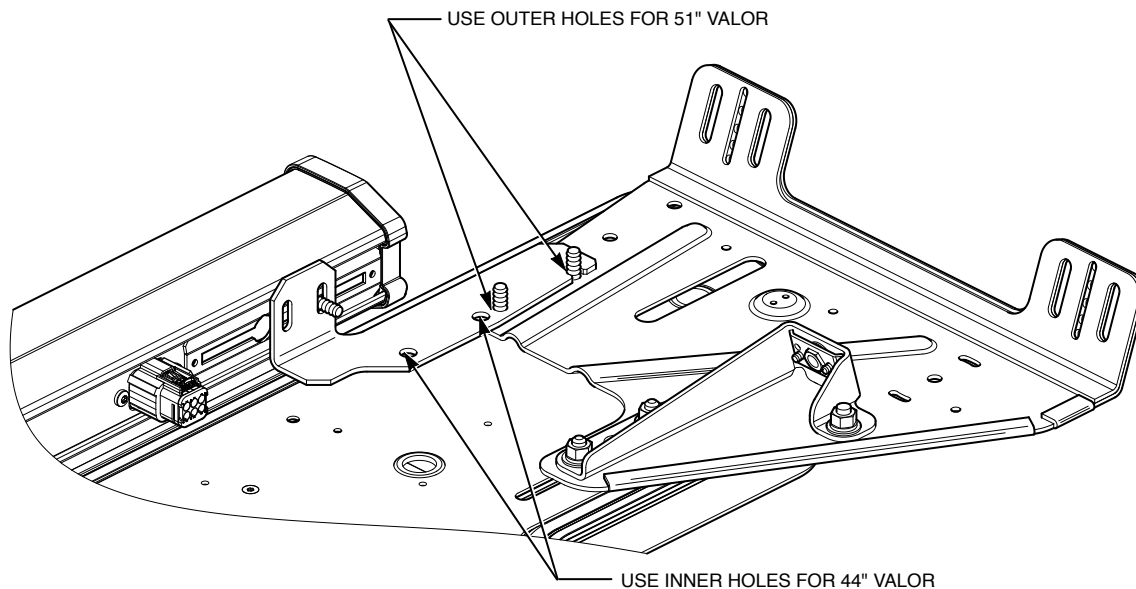
⚠ WARNING

AIRBAG DEPLOYMENT: Do not install equipment or route wiring in the deployment of an airbag. Failure to observe this warning will reduce the effectiveness of the airbag or potentially dislodge the equipment, causing serious injury or death.

⚠ WARNING

DRILLING PRECAUTIONS: Before drilling holes, check the area into which you plan to drill to ensure you do not damage vehicle components while drilling. All drilled holes should be de-burred and all sharp edges should be smoothed. All wires going through drilled holes should be protected by a grommet or convolute/split-loom tubing.

Figure 1 Message Board/Valor (passenger-side view)



To mount the MB1 Message Board to the Valor lightbar:

1. Before installing the lightbar, remove the 5/16" nuts and washers on the rear of the Valor mounts. Install the MB1 mounting brackets as shown in Figure 1. Reinstall the nuts and washers.
2. Install the Adjustable Foot Brackets as described in the Hook-Mount instructions (doc. number 2562550), substituting the Tall Adjustable Foot Brackets supplied with MBK03H kit for the shorter ones supplied with the lightbar.

3. Prepare the Valor for hook-on mounting as described in the hook-mount instructions (doc. number 2562550).
4. See Figure 1. After adjusting the mounting feet, insert the 1/4-20" carriage bolts head first into the access holes on the back of the message board. Slide them into position to receive the MB1 brackets.
5. To avoid the access holes, secure the message board to the bolts through the inner or outer slots on the MB1 brackets with the supplied 1/4-20" nuts and washers.

NOTE: In some cases, depending on the application and desired mounting height, the 3-1/2" long 5/16-18" bolts supplied with the lightbar for the gutter hook may be too short. Longer bolts are available from leading hardware suppliers.

6. Finish hook-mounting the Valor on the vehicle according to the hook-mount instructions.
7. Complete the wiring according to the instructions supplied with the lightbar and Message Board.

⚠ WARNING

LIGHT HAZARD: To be an effective warning device, an emergency warning system produces bright light that can be hazardous to your eyesight when viewed at a close range. Do not stare directly into the lights at a close range or permanent damage to your eyesight may occur.

8. Test the lights for proper operation.

Getting Technical Support and Service

Federal Signal Corporation will service your equipment or provide technical assistance with any problems that cannot be handled locally. Any product returned to Federal Signal for service, inspection, or repair must be accompanied by a Return Material Authorization number. The RMA number can be obtained from your local distributor or Federal Signal. Please provide a brief explanation of the service requested or the nature of the malfunction. Contact your local dealer/distributor for replacement parts availability or contact the Federal Signal Service Department (7 a.m. to 5 p.m., Monday through Friday, Central Time) at:

Service Department
Federal Signal Corporation
2645 Federal Signal Drive
University Park, IL 60484-3167
800-433-9132
www.fedsig.com

Returning a Product to Federal Signal

Before returning a product to Federal Signal, call 800-264-3578, 800-433-9132, or 800-824-0254 to obtain a Returned Merchandise Authorization number (RMA number). To expedite the process, please be prepared with the following information:

- Your Federal Signal customer or account number.
- The purchase order number under which the items were purchased.
- The shipping method.
- The model or part number of the product being returned.
- The quantity of products being returned.
- Drop ship information as needed.
- Any estimate required.

When you receive your RMA Number:

- Write the RMA number on the outside of the box of returned items.
- Reference the RMA number on your paperwork inside of the box.
- Write the RMA number down, so that you can easily check on status of the returned equipment.

Send all material with the issued RMA Number to:

Federal Signal Corporation
2645 Federal Signal Drive
University Park, IL 60484-3167
Attn: Service Department
RMA: # _____