

MicroPulse® Wide Angle 9

Perimeter Lights



FEATURES

- 180-degree wide angle perimeter light
- Single-, dual-, and tri-color capability
- (12) single-color or (20) tri-color flash patterns
- Multi-voltage, 12/24 Vdc
- Wide range of external mounting applications
- Black bezel standard; Chrome or White bezel optional
- Five-year warranty

APPROVALS

- IP67

MPSW9 Single-Color

- SAE J595 Class 1
- SAE J845 Class 1
- NFPA 1900
- CCR Title 13

MPSW9 Tri-Color

- SAE J595 Class 1
- SAE J845 Class 1
- NFPA 1900

FS TECHNOLOGY



A Curved Shape and Powerful LEDs Provide an Impressive Off-Axis Light Spread
MicroPulse® Wide Angle 9's curved design and powerful LEDs provide an impressive 180-degree light spread. These perimeter lights are ideal for mounting on push bumpers, rub rails, side mirrors, and spoilers of first responder and work truck vehicles. MicroPulse Wide Angle 9 models are available in Amber, Blue, Red, Green, and White and in single-, or tri-color combinations. MicroPulse Wide Angle 9 tri-color models can operate as a single-, dual-, or tri-color light.

Highly Effective Warning Light

MicroPulse Wide Angle 9 lights can be programmed to operate as a single unit or synchronize with multiple light heads. Built-in flash patterns enable multiple vehicle perimeter lights to be either synchronized in the same pattern or in opposite sequence.

The Red/Blue/White MicroPulse Wide Angle 9 tri-color model is also available with a smoked lens. The dark tinted polycarbonate lens makes this model the optimal choice for undercover applications.

Built to Last

The MicroPulse Wide Angle 9 Clear lens is made of UV-resistant polycarbonate to protect against harsh conditions. Models come standard with a Black bezel and are also available with an optional Chrome or White bezel.

FSJoin® Compatible

MicroPulse Wide Angle 9 models are FSJoin® compatible. FSJoin is a programming compatibility feature of Federal Signal's light bars and exterior/interior warning lights that work in conjunction with a Convergence Network siren or controller. When using FSJoin products, the Convergence Network siren/light controller controls all of the vehicle's warning light flash patterns, dimming feature, and light head syncing/alternating patterns.



MPSW9 COMPLIANCE CHART

SINGLE-COLOR MODELS

MODEL #	LED COLOR	J845 CLASS	J845 COVERAGE	J595 CLASS	CCR TITLE 13 CLASS
MPSW9-A	Amber	1	90°	1	B
MPSW9-B	Blue	1	90°	1	B
MPSW9-W	White	1	90°	1	-
MPSW9-R	Red	1	90°	1	B

TRI-COLOR MODELS

MODEL #	LED COLOR	J845 CLASS	J845 COVERAGE	J595 CLASS	CCR TITLE 13 CLASS
MPSW9-AGW	Amber	1	120°	1	NO
	Green	1	120°	1	NO
	White	1	120°	1	-
MPSW9-BAW	Blue	1	120°	1	NO
	Amber	1	120°	1	NO
	White	1	120°	1	-
MPSW9-RAW	Red	1	120°	1	NO
	Amber	1	120°	1	NO
	White	1	120°	1	-
MPSW9-RBA	Red	1	120°	1	NO
	Blue	1	120°	1	NO
	Amber	1	120°	1	NO
MPSW9-RBW	Red	1	120°	1	NO
	Blue	1	120°	1	NO
	White	1	120°	1	-
MPSW9-RBW-SMK	Red	1	120°	1	NO
	Blue	1	120°	1	NO
	White	1	120°	1	-

SPECIFICATIONS

LED Color: A B G R W Lens Color: C SMK

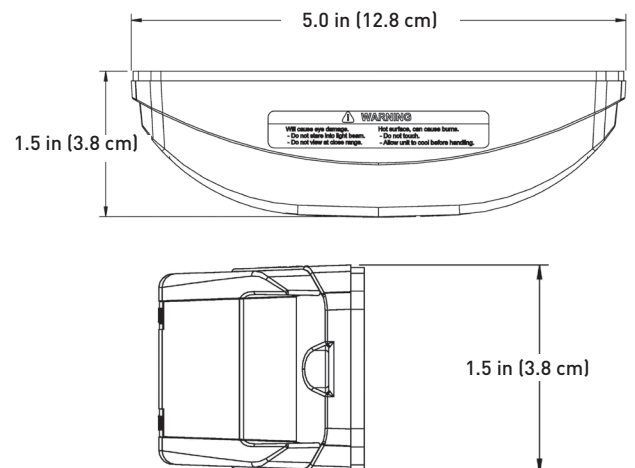
VOLTAGE	12/24 Vdc
CURRENT DRAW	0.6 A @ 12 Vdc 0.3 A @ 24 Vdc
OPERATING TEMP.	-40° to 176° F (-40° to 80°C)

PHYSICAL SPECIFICATIONS

SURFACE MOUNT

LENGTH	5.0 in (12.8 cm)
WIDTH	1.5 in (3.8 cm)
HEIGHT	1.5 in (3.8 cm)
SHIP WEIGHT	0.5 lb (0.23 kg)

MPSW9 MODELS



HOW TO ORDER

MICROPULSE WIDE ANGLE 9, SINGLE-COLOR, SURFACE MOUNT, 12/24 VDC

MPSW9-A	(9) LED light head, Amber
MPSW9-B	(9) LED light head, Blue
MPSW9-R	(9) LED light head, Red
MPSW9-W	(9) LED light head, White

MICROPULSE WIDE ANGLE 9, TRI-COLOR, SURFACE MOUNT, 12/24 VDC

MPSW9-AGW	(18) LEDs, Amber/Green/White
MPSW9-BAW	(18) LEDs, Blue/Amber/White
MPSW9-RAW	(18) LEDs, Red/Amber/White
MPSW9-RBA	(18) LEDs, Red/Blue/Amber
MPSW9-RBW	(18) LEDs, Red/Blue/White
MPSW9-RBW-SMK	(18) LEDs, Red/Blue/White

ACCESSORIES

MPSMW9-1	Chrome bezel for (1) MPSW9
MPSMW9-2	White bezel for (1) MPSW9
MPSMW9-3	Black bezel for (1) MPSW9
MPSMW9-SHD	Shroud kit (2) MPSW9 to prevent backflash
MPSMW9-TAH21MIRS	Pair of side under mirror brackets, each bracket holds (1) MPSW9 light, 2021-2025 Chevrolet Tahoe
MPSMW9-FRD21MIR	Pair of side mirror brackets for (1) MPSW9 each, Ford F-150 (non-towing mirrors)/Lightning, 2021-2024
MPSMW9-FPIU20MIR	Pair of side mirror brackets, each bracket holds (1) MPSW9 light, Ford Police Interceptor Utility, 2020-2024
MPSMW9-FPIU25MIRS	Pair of side mirror brackets, each bracket holds (1) MPSW9 light, Ford Police Interceptor Utility, 2025
MPSMW9-DUR21MIRS	Pair of side mirror brackets, each bracket holds (1) MPSW9 light, Dodge Durango, 2015-2024
MPSMW9-LB	L-bracket for (1) MPSW9
MPSMW9S-UNIVMIR	Pair of side mirror brackets for (1) MPSW9 each, Dodge Ram 1500 2019 - 2024
MPSMW9S-UNIVMIR1	Pair of side mirror brackets for (1) MPSW9 each, Ford Maverick
MPSMW9S-UNIVMIR1	Pair of side mirror brackets for (1) MPSW9 each, Ford Maverick
MPSMW9-CHGR11MIR	Pair of side mirror brackets, each bracket holds (1) MPSW9 light, Dodge Charger, 2011-2026
MPSMW9-SPACRKT	Kit, (4) 5-degree rubber mounting wedges for MSPW9
MPSMW9-SIL19MIR	Pair of side mirror brackets for (1) MPSW9 each, Chevrolet Silverado 1500, 2019-2024
MPSMW9-SPACRKT2	Pair of 22-degree rubber mounting wedges for MPSW9, Ford F150, Dodge Ram 2500, 2023-2024
MPSMW9-EXP19MIR	Pair of side mirror brackets for (1) MPSW9 each, 2019-2024 Ford Expedition
330508	6-inch oval mounting plate kit for (1) MPSW9, with rubber grommet

FLASH PATTERNS

PATTERN	MPSW9 (Single-Color)	MPSW9 (Tri-Color)
1	Random	Single 122
2	Steady	Single 90
3	Single	Single 113
4	Mega	Triple 92.3
5	Double	Triple 122
6	Triple	Triple 73
7	Quad	Double 122
8	Quint	Quad 122
9	8 Flash	Random
10	Single Quad	Steady Break
11	Single H/L	Steady
12	Single-Triple- Quint	Single 73
13		Mega
14		Double 73
15		Quad 73
16		Quint 73
17		Ultra 73
18		Single-Quad
19		Single H/L
20		Single-Triple-Quint

