



## LIGHTING PRODUCTS

**FEDERAL SIGNAL CORPORATION**  
2645 Federal Signal Dr., University Park, IL 60484-3167  
TEL 800.433.9132 FAX 800.343.9706  
www.fedsig.com

## SURFACE MOUNT

---

### INSTALLATION INSTRUCTIONS

Before mounting check the identification label on the light for specific voltage and current requirements. Check that the length of the wiring is correct.

The light fixture has a vehicle panel seal is designed to make a weather tight seal at the fixture and the mounting panel. This requires a hole to be drilled for the wires.

**Note:** Before drilling holes place the light in position to check for fit. Ensure that the light is clear from all obstructions.

#### Install Surface Mount Model

**Note:** Do not use Loctite on any screws near the lamphead lens. LED lampheads use Lexan lenses that can become brittle and prone to cracking when exposed to Loctite compounds.

1. Measure and mark the mounting hole locations and through hole for the wiring. The mounting holes through the light bezel are clearance for #10 screws. Refer to drawings on page 2.
2. Drill the four (4) mounting holes and wire feed thru hole.

**Note:** Ensure that the light is mounted with the word TOP on the lens up.

3. Connect the wiring, place the two (2) mounting gaskets in position on each side of the light. Ensure that the vehicle panel seal is aligned over the wire feed thru and seated correctly against the mounting surface. Secure the light with four (4) screws.

#### Wiring 12/24 VDC

Connect the RED wire to POWER  
Connect the BLACK wire to GROUND.



**Surface Mount  
Light**

# Install Surface Mount Model LED Light

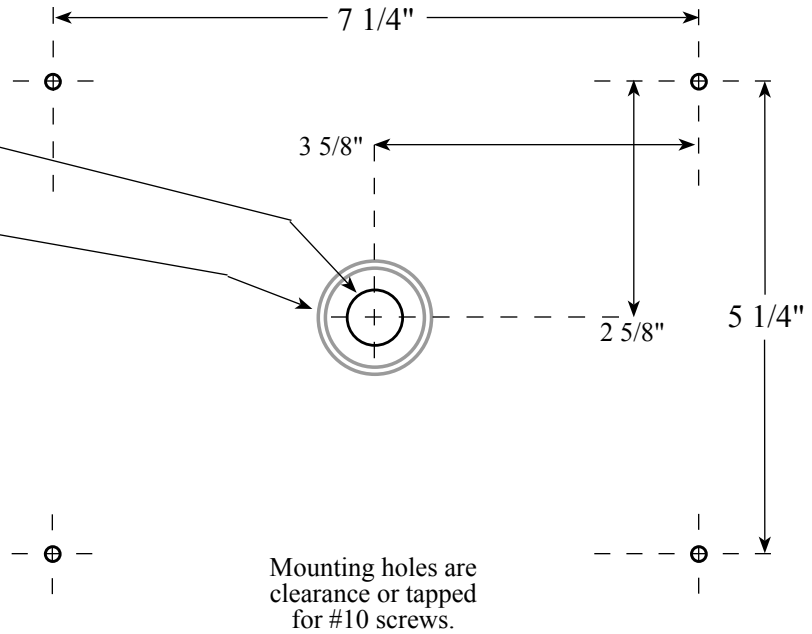
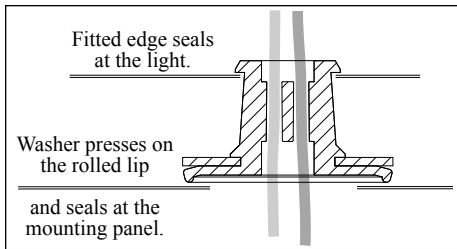
LGTR9A-FS-Rev130904

## NO CUTOUT REQUIRED

Drill four (4) holes for screws and one (1) centered hole for the wires.

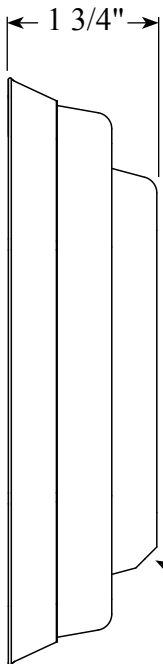
Drill wire hole from 3/8" to a maximum of 7/8" diameter.

The vehicle panel seal is designed to make a weather tight seal at the light and the mounting panel.



**Note:** Ensure that the top of the light is up. The lens redirects the light down along the vehicle and out onto the working area. It must be mounted with the word **TOP** up.

**Note:** Do not use Loctite on any screws near the lamphead lens. LED lampheads use Lexan lenses that can become brittle and prone to cracking when exposed to Loctite compounds.



The word **TOP** is up.

The beveled edge of lens is down.

