



LIGHTING PRODUCTS

FEDERAL SIGNAL CORPORATION
2645 Federal Signal Dr., University Park, IL 60484-3167
TEL 800.433.9132 FAX 800.343.9706
www.fedsig.com

BROW MOUNT

INSTALLATION INSTRUCTIONS

Refer to the General Lighting manual or lamphead specific sheets for safety and maintenance.

Install Brow Mount

Before mounting check the identification label on the lamphead for specific voltage and current requirements. Check that the length of the wiring is correct.

Note: Before drilling holes place the light in position to check for fit. Ensure that the lamphead clears all obstructions.

1. Place the light in position.
2. Mark the mounting hole locations and through hole for the wiring. Use the lamphead and attached brackets as a template.
3. Drill the mounting holes. The mounting brackets are predrilled for 1/4-20 or 5/16-18 hardware.
4. For brow lights place the four rubber washers in position at each mounting hole.
5. Secure the light.
6. Ensure that approved strain relief for the wiring is installed.

Wiring

12/24 VDC

Connect the BLACK wire to GROUND.

Connect the RED (or WHITE) wire to POWER.

120/240 VAC

Connect the GREEN wire to chassis GROUND.

Connect the WHITE wire to RETURN.

Connect the BLACK wire to POWER.



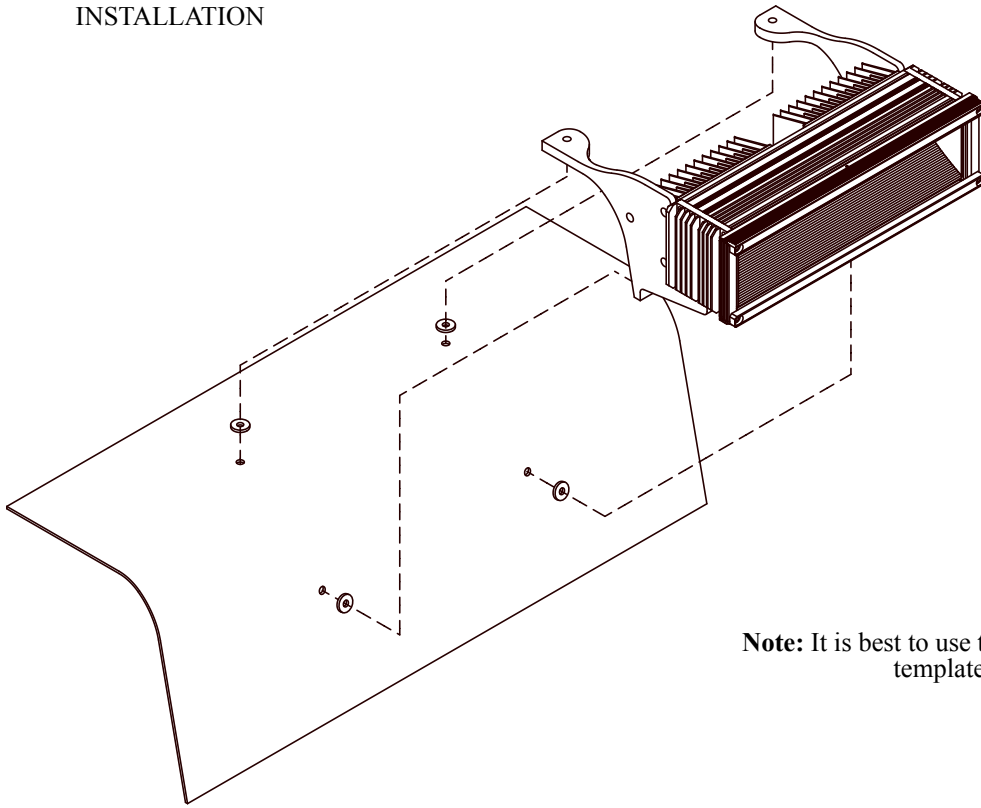
**Contour Brow
Mount**



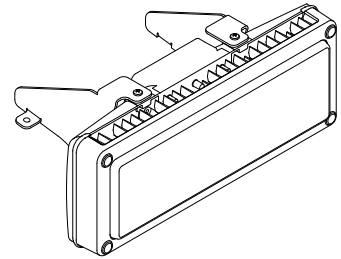
**Flat Brow
Mount**

Install Brow Mounts

TYPICAL
INSTALLATION

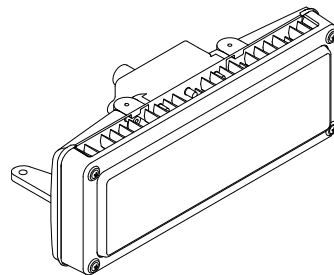
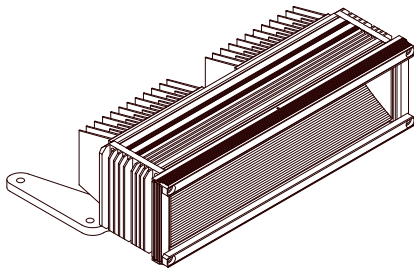


Contour
Mount



Note: It is best to use the lamphead and attached brackets as a template to mark mounting holes.

Flat
Mount



Hardware Recommendations

For brow mounts:
1/4-20 SS or 5/16-18 SS