

LIGHTING PRODUCTS



FEDERAL SIGNAL CORPORATION
2645 Federal Signal Dr., University Park, IL 60484-3167
TEL 800.433.9132 FAX 800.343.9706
www.fedsig.com

PEDESTAL MOUNT

INSTALLATION INSTRUCTIONS

Refer to the General Lighting manual or lamphead specific sheets for safety and maintenance.

Install Pedestal Mount

When positioning a pedestal mount light ensure that the lamphead clears all obstructions.

1. Place the light in position to check for fit and freedom of operation.
2. Mark the footprint of the mounting flange/brackets.
3. Drill mounting holes.
4. Ensure that approved strain relief for the wiring is installed.
5. Secure the mounting flange/bracket. Use 5/16-18 or 1/4-20 SS hardware. Install a backing plate if necessary for a sturdy mounting.

Wiring

12/24 VDC

Connect the BLACK wire to GROUND.

Connect the RED (or WHITE) wire to POWER.

120/240 VAC

Connect the GREEN wire to chassis GROUND.

Connect the WHITE wire to RETURN.

Connect the BLACK wire to POWER.



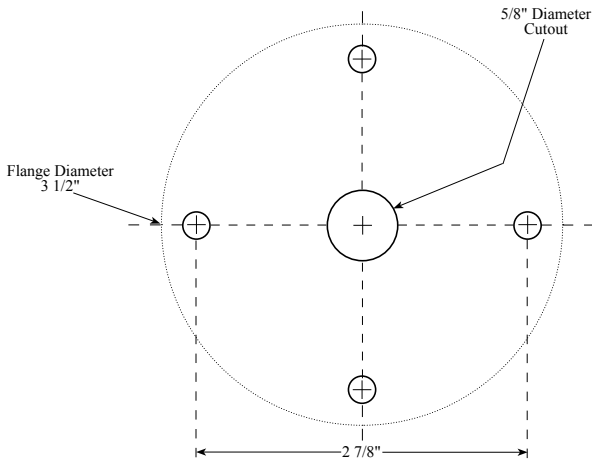
Pedestal Mount



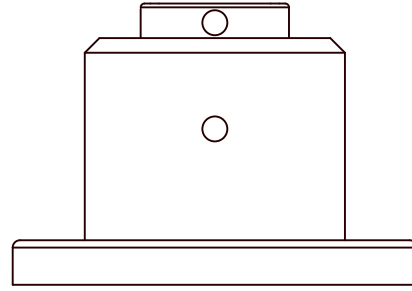
**Pedestal Bracket
Mount**

Install Pedestal Mount

Pedestal Mount



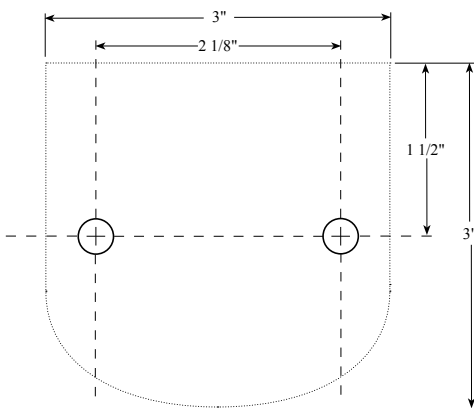
Pedestal Flange Footprint



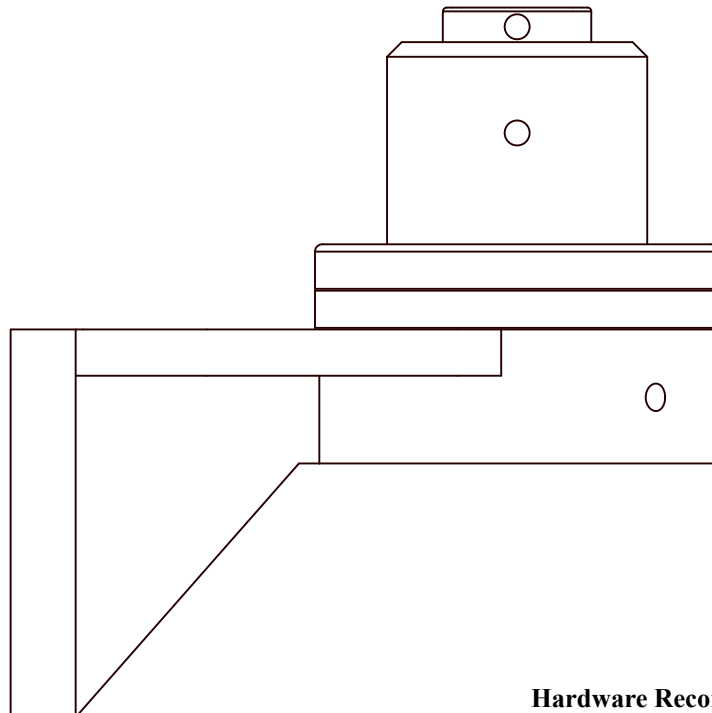
Hardware Recommendations
For pedestal mount:
1/4-20 SS

Drawings may not be to scale.
DO NOT USE AS A TEMPLATE

Pedestal Bracket Mount



Bracket Mount Footprint



Hardware Recommendations
For pedestal bracket mount:
5/16-18 SS