



LIGHTING PRODUCTS

FEDERAL SIGNAL CORPORATION
2645 Federal Signal Dr., University Park, IL 60484-3167
TEL 800.433.9132 FAX 800.343.9706
www.fedsig.com

SIDE MOUNT TELESCOPIC POLE

INSTALLATION INSTRUCTIONS

Refer to the General Lighting manual or lamphead specific sheets for safety and maintenance.

Install Side Mount Telescopic Pole

When positioning a telescopic pole ensure that the lamphead will clear all obstructions and the twist lock will be accessible.

1. Place the light in position to check for fit and freedom of operation.
2. Slide the brackets up or down into required position. The set screws may need to be loosened.
3. Tighten set screws.
4. Mark the footprint of the mounting bracket(s).
5. Drill mounting holes.
6. Secure the mounting bracket(s). Use 5/16-18 SS hardware. Install a backing plate if necessary for a sturdy mounting.
7. Ensure that approved strain relief for the wiring is installed.

Wiring

12/24 VDC

Connect the BLACK wire to GROUND.

Connect the RED wire to POWER.

120/240 VAC

Connect the GREEN wire to chassis GROUND.

Connect the WHITE wire to RETURN.

Connect the BLACK wire to POWER.



Typical Bracket

Slide bracket up or down into required position and tighten set screws.



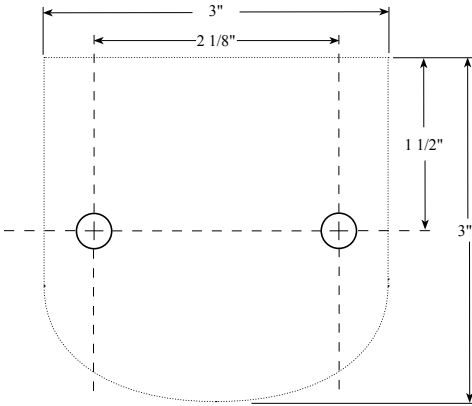
Side Mount
Push Up

Side Mount
Pull Up

Side Mount
Pull Up

Install Side Mount Telescopic Pole

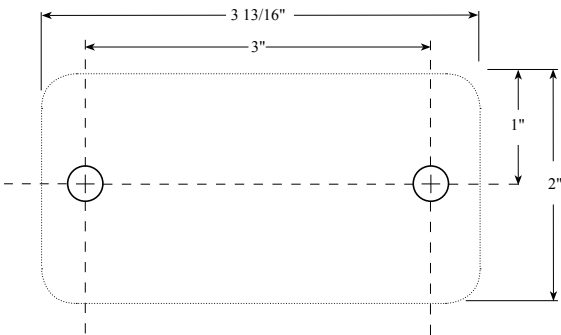
Side Mount Brackets



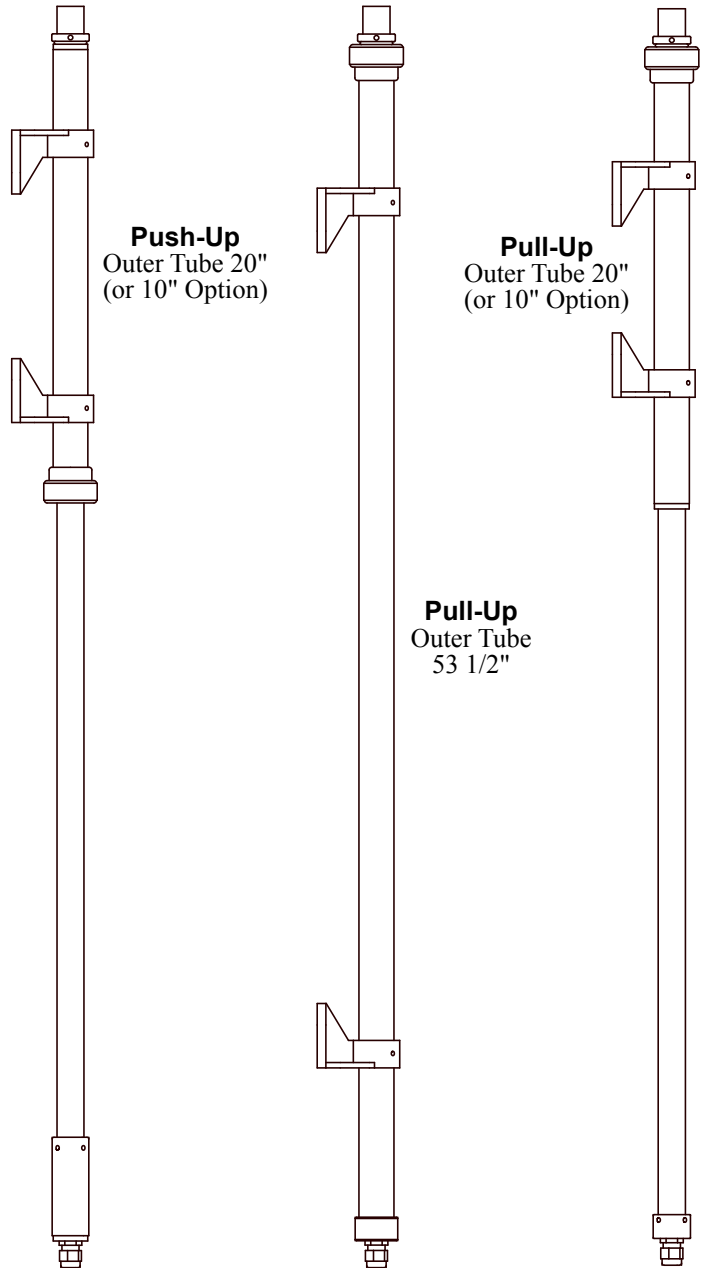
Side Mount Bracket Footprint
 The footprint is the same for all side mount and steady rest brackets.

Drawings may not be to scale.
 DO NOT USE AS A TEMPLATE

Flush Mount Brackets



Standard overall height (top to bottom) for a telescopic pole without a lamphead is 58 inches.



Hardware Recommendations

For side mount poles:
 5/16-18 SS

Note: When positioning a telescopic pole ensure that the lamphead will clear all obstructions and the twist lock will be accessible.