

25500080B REV. B1 1117

Safety Message to Installers of Warning Light Equipment

▲ WARNING

People's lives depend on your proper installation and servicing of Federal Signal products. It is important to read and follow all instructions shipped with this product and the original product. In addition, listed below are some other important safety instructions and precautions you should follow:

- To properly install the lighting system, you must have a good understanding of automotive systems, along with proficiency in the installation and use of safety warning equipment.
- Do not install equipment or route wiring in the deployment path of an airbag.
- This product contains high-intensity LEDs. Do not stare directly into the lights at close range or permanent damage to your eyesight may occur.
- If a vehicle seat is temporarily removed, verify with the vehicle manufacturer if the seat needs to be recalibrated for proper airbag deployment.
- You should frequently inspect the light system to ensure that it is operating properly and that it is securely attached to the vehicle.
- When drilling into a vehicle structure, be sure that both sides of the surface are clear of anything that could be damaged. All drilled holes should be deburred and all sharp edges should be smoothed. All wires going through drilled holes should be protected by a grommet or convolute/split-loom tubing. Additionally, all exterior drilled holes must be sealed with Motorcraft seam sealer T-A-2-B or equivalent to prevent the potential exposure to carbon monoxide or other potentially harmful fumes. Failure to observe this warning could cause serious injury or death.
- Refer to the instructions packed with related products for additional precautions and information.
- File these instructions in a safe place and refer to them when maintaining and/or reinstalling the product.

Failure to follow all safety precautions and instructions may result in property damage, serious injury, or death.

Product Overview

The Model MPSM6-FPIURS mounting kit is intended to be used with Federal Signal MicroPulse MPS6 Series lights. The kit brackets mount to the rear spoiler of the 2013+ Ford Interceptor Utility.

For electrical installation instructions, refer to the installation and maintenance instructions packed with the MPS6 Series lighthead.

Unpacking the Kit

After unpacking the product, inspect it for damage that may have occurred in transit. If it has been damaged or is missing a part, do not attempt to install or operate it. File a claim immediately with the carrier, stating the extent of the damage. Carefully check all envelopes, shipping labels and tags before removing or destroying them. Ensure that all parts in Table 1 on page 2 have been included. If you are missing any parts, contact Customer Support at 1-800-264-3578, 7 A.M. to 5 P.M., Monday through Friday (CT).

Table 1 Kit contents

Qty.	Description	Qty.	Description
1	Bracket, Left Side	1	Grommet
1	Bracket, Right Side	1	# 10 SAE Flat Washer
4	#6-32 x 1/2 in Pan-Head, Phillips Machine Screw	4	#10 x 1 in Fender Washer
4	#6 SAE Flat Washer	4	#10-32 Nylon Insert Lockwasher
4	#6-32 Nylon Insert Locknut	1	Kit, Ford Liftgate Spoiler
4	#10-32 x 1/2 in Pan-Head Phillips Machine Screw		

Preparing the Spoiler

▲ WARNING

AIRBAG DEPLOYMENT: Do not install equipment or route wiring in the deployment path of an airbag. Failure to observe this warning will reduce the effectiveness of the airbag or potentially dislodge the equipment, causing serious injury or death.

Precautions for Mounting the Brackets to the Spoiler

▲ CAUTION

- When mounting brackets to the spoiler, use the provided dimensions in the installation instructions. When mounting the spoiler/bracket assembly, ensure that the spoiler sits flush against the vehicle liftgate.
- Ensure that the rear warning light harness does not double up or lay upon itself, preventing the rear spoiler from seating flush against the rear window of the liftgate. The rear warning light wiring harness must not prevent the rear spoiler/bracket assembly from sitting flush against the vehicle liftgate.
- After removal of the vehicle spoiler and prior to re-installation of the spoiler/bracket assembly, replace all spoiler seals with **FORD Liftgate Spoiler Kit Part Number: HB5Z-78442K03-A**.
- Reference FORD Customer Satisfaction Programming 17B25 and SVE Bulletin P-027.
- All warning light wiring must be convolute/split loom or equivalent. Wiring entering or exiting the spoiler and vehicle must be grommeted and sealed with T-A-2-B Seam Sealer to prevent the potential exposure to carbon monoxide or other potentially harmful fumes.
- All warning light wiring must be tie wrapped and/or routed to prevent interference with other rear vehicle wiring or sealing.

To prepare the spoiler for the installation:

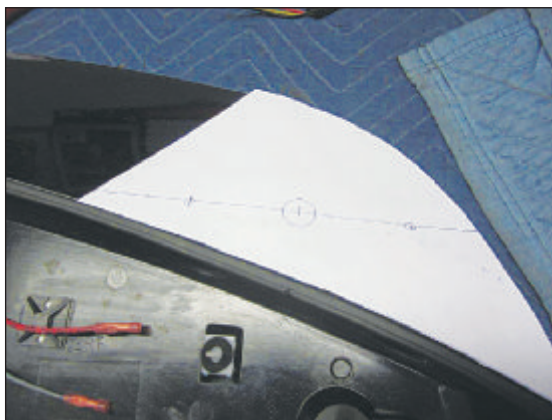
1. Following the vehicle manufacturing instructions, remove the rear spoiler assembly.
2. Carefully lift the spoiler from the vehicle and place the it on a workbench covered with cardboard or soft rags to protect the paint.

3. Make a photocopy of the template shown on page 7.
4. See Figure 2. Cut out the template and tape it to the edge of the spoiler.
5. Through the template, drill two 3/16 in mounting holes for the bracket and one 5/8 in wire-routing hole.
6. To access the #10-32 kit hardware needed to fasten the bracket to the spoiler, drill two 1-1/4 in holes on the edge of the spoiler.
7. Flip the template over and tape it to the edge of the spoiler.
8. Drill holes as described in Step 5.

Figure 1 Spoiler placed on workbench

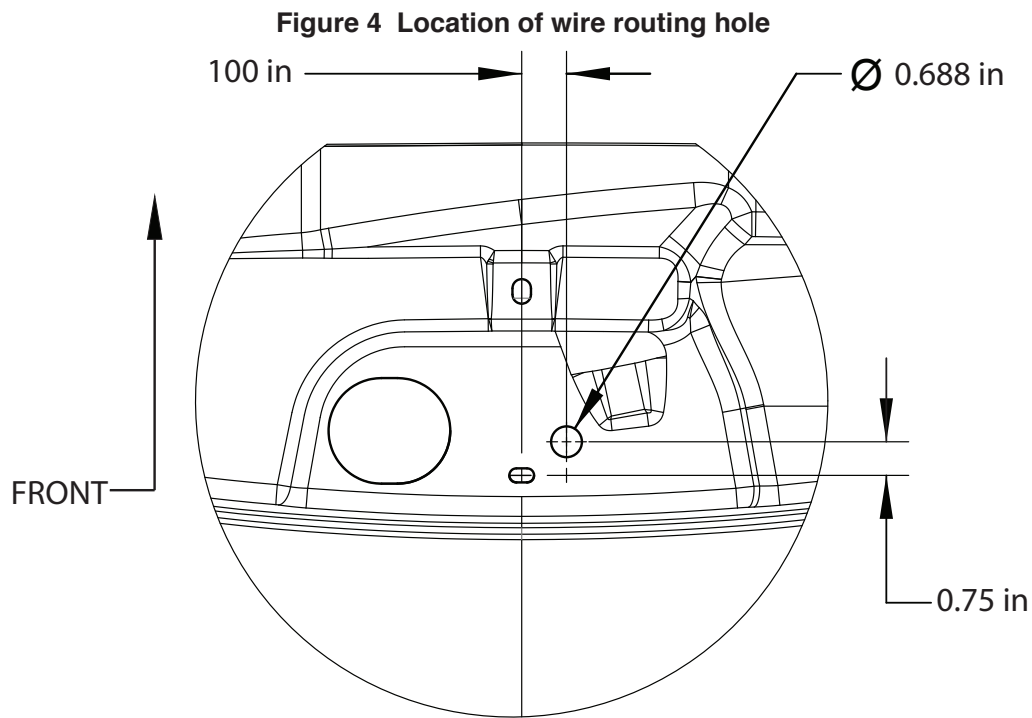


Figure 2 Template taped on edge of spoiler



Figures 3 and 4 Drilled holes on edge of spoiler for access to #10-32 mounting kit hardware





Installing the Lights

1. Drill an 11/16 in wire-routing hole in the tailgate in the location shown in Figure 4 above.
2. Fasten the MicroPulse lights to the brackets using the #6-32 hardware.

Figure 5 MicroPulse secured to bracket with #6-32 mounting kit hardware



3. Fasten the light and bracket assemblies to the spoiler using the #10-32 hardware.

Figure 6 MicroPulse with bracket fastened to spoiler with the #10-32 hardware



4. Complete the wiring according to the instructions supplied with the lighthead. Using the supplied grommet route the wires through the hole drilled in Step 1 and the flex joint into the cabin. **DO NOT** route wires through any existing holes. A disconnect appropriate for the wiring may make the spoiler installation easier. Seal the grommet and all openings made during the installation with the sealer noted above.

Figure 7 MicroPulse with bracket fastened to spoiler (driver side)



5. Install Ford Liftgate Spoiler Kit Part # HB5Z-78442K03-A (FSC 77700892). Ensure that the spoiler/ bracket assembly sits flush against the vehicle liftgate.
6. Reinstall the spoiler.

Getting Technical Support and Service

The Federal Signal factory provides technical assistance with any problems that cannot be handled locally. Any units returned to Federal Signal for service, inspection, or repair must be accompanied by a Return Material Authorization (RMA). Obtain a RMA from a local Distributor or Manufacturer's Representative. Please provide a brief explanation of the service requested, or the nature of the malfunction.

For technical support and service, visit:

<https://www.fedsig.com/technical-support>

<https://www.fedsig.com/service-centers>

Limited Warranty

This product is subject to and covered by a limited warranty, a copy of which can be found at www.fedsig.com/SSG-Warranty. A copy of this limited warranty can also be obtained by written request to Federal Signal Corporation, 2645 Federal Signal Drive, University Park, IL 60484, email to info@fedsig.com or call +1 708-534-3400.

This limited warranty is in lieu of all other warranties, express or implied, contractual or statutory, including, but not limited to the warranty of merchantability, warranty of fitness for a particular purpose and any warranty against failure of its essential purpose.



FEDERAL SIGNAL Safety and Security Systems

2645 Federal Signal Drive
University Park, Illinois 60484

www.fedsig.com

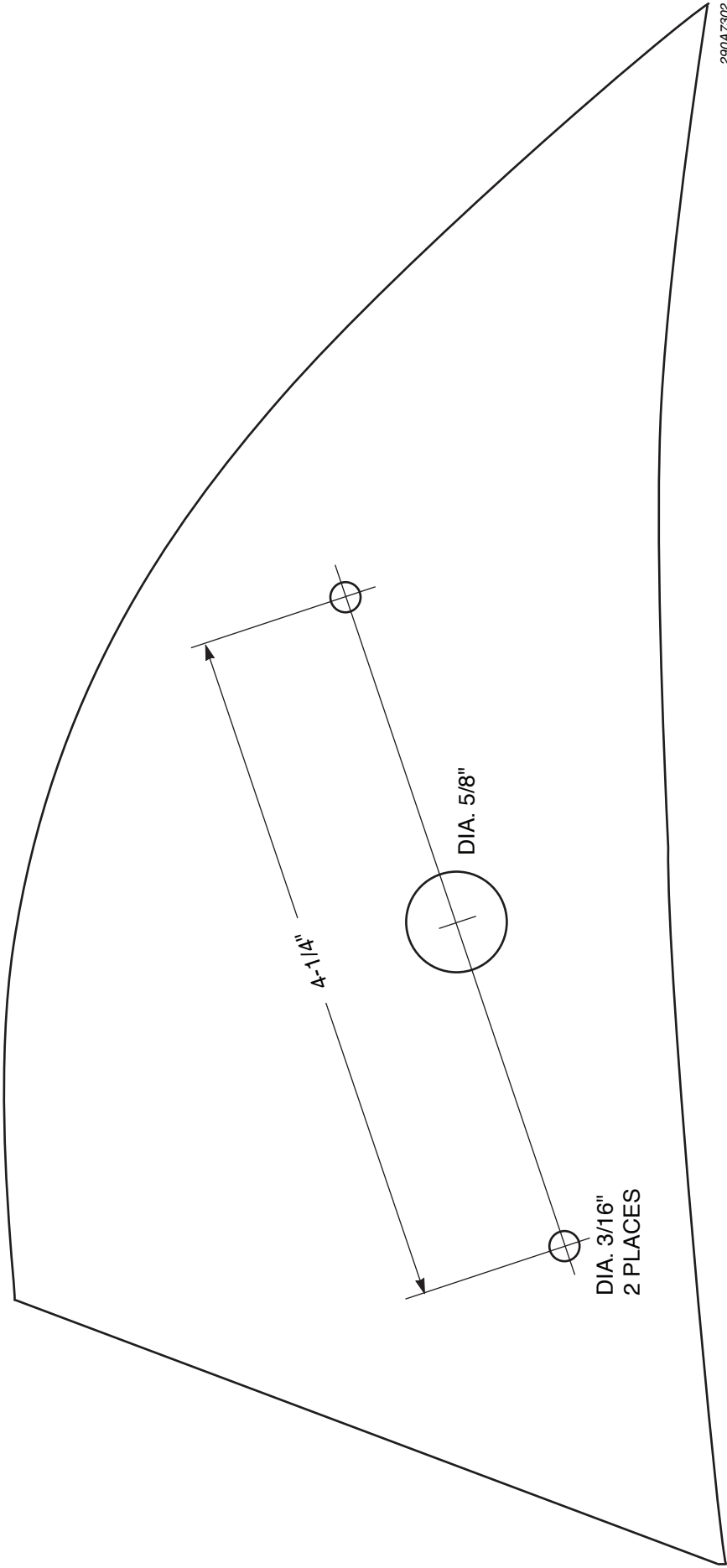
Customer Support

Police/Fire-EMS: 800-264-3578 • +1 708 534-3400

Work Truck: 800-824-0254 • +1 708 534-3400

Technical Support 800-433-9132 • +1 708 534-3400

TEMPLATE FOR THE MICRO PULSE 6 MOUNTING BRACKETS
ON THE REAR SPOILER OF THE FORD INTERCEPTOR UTILITY



290A7302

VERIFY THE DIMENSIONS BEFORE USING