



Marketing Update > FEDERAL SIGNAL

Update: 423 | 4/1/12

2012 Series Back-up Alarms

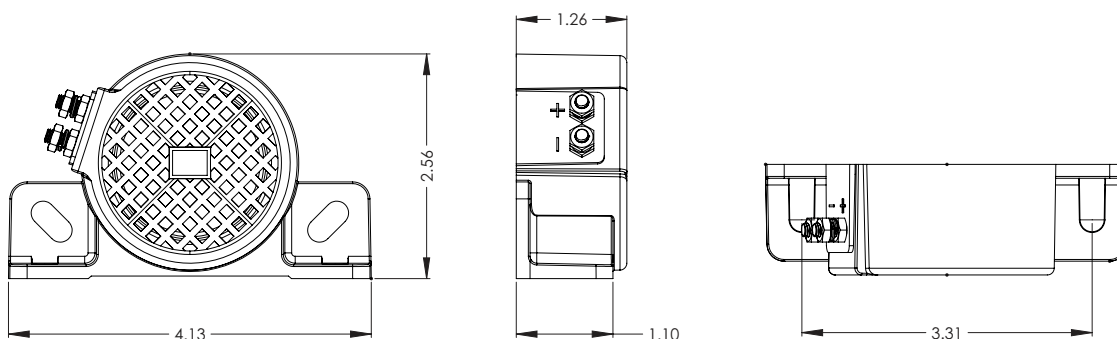
Federal Signal is pleased to introduce our new **2012 Series Back-Up Alarms**. These epoxy-encapsulated, 12-24 VDC alarms provide rugged, industry-standard features at an economical price. Suitable for use in heavy-duty fleets, construction vehicles, work trucks, and many other applications, these alarms are built to withstand the harshest industrial and commercial environments while reliably operating every day to enhance safety at your work site.



Features

- > Epoxy encapsulation protects against vibration as well as debris and moisture ingress
- > Built-in universal mounting bracket with industry-standard 3.25" center-to-center mounting slots
- > Self-grounding strap ("-S" models)
- > Operate at 12 or 24 VDC drawing only 0.5 A
- > Meet SAE J994, CE, OSHA, and MSHA requirements for back-up alarms
- > Three-year warranty

Model #	Description	Original 2012 List Price (US)	New 2012 List Price (US)
210238-S	2012 Series alarm, 87 dB(A), 12-24 VDC, SAE J994 Type D, stud terminals	\$24.50	\$18.75
210239-S	2012 Series alarm, 97 dB(A), 12-24 VDC, SAE J994 Type C, stud terminals	\$25.75	\$19.00
210240-S	2012 Series alarm, 102 dB(A), 12-24 VDC, SAE J994 Type F, stud terminals	\$32.25	\$20.25
210238-W	2012 Series alarm, 87 dB(A), 12-24 VDC, SAE J994 Type D, wires	\$24.50	\$18.75
210239-W	2012 Series alarm, 97 dB(A), 12-24 VDC, SAE J994 Type C, wires	\$25.75	\$19.00
210240-W	2012 Series alarm, 102 dB(A), 12-24 VDC, SAE J994 Type F, wires	\$32.25	\$20.25



For more information, please contact your local Federal Signal sales representative, visit our website at www.fedsig.com or contact us at 1-800-824-0254 (Amber Market) or 1-800-264-3578 (Police/Fire Market).



2645 Federal Signal Drive, University Park, IL 60484 • www.fedsig.com
Police/Fire Phone: (800) 264-3578 • Fax: (800) 682-8022
Amber Market Phone: (800) 824-0254 • Fax: (800) 787-6237