

2562405C REV. C1 0517

Safety Message to Installers of Warning Light Equipment

▲ WARNING

People's lives depend on your safe installation of our products. It is important to read, understand and follow all instructions shipped with the products. In addition, listed below are some other important safety instructions and precautions you should follow:

- To properly install a light assembly, you must have a good understanding of automotive electrical procedures and systems, along with proficiency in the installation and use of safety warning equipment.
- Before drilling into a vehicle structure, be sure that both sides of the surface are clear of anything that could be damaged.
- If a vehicle seat is temporarily removed, verify with the vehicle manufacturer if the seat needs to be recalibrated for proper airbag deployment.
- This product contains high intensity LED devices. To prevent permanent eye damage, DO NOT stare into the light beam at close range.
- You should frequently inspect the light system to ensure that it is operating properly and that it is securely attached to the vehicle.
- Refer to the instructions packed with related products for additional precautions and information.
- File these instructions in a safe place and refer to them when maintaining or reinstalling the product.

Failure to follow all safety precautions and instructions may result in property damage, serious injury, or death.

Mounting Bracket for IMPAXX[®], Viper[®] EXT and MicroPulse[™] 3 Lights

This booklet has instructions for using the IPX-LPH1 License Plate Mounting Bracket to mount the IMPAXX, Viper EXT, or MicroPulse 3 lighthoods. The IPX-LPH1 bracket is a general license plate holder with horizontal mounting tabs on each side that fits most vehicles.

Unpacking the Kit

After unpacking the kit, inspect it for damage that may have occurred in transit. If it has been damaged, do not attempt to install or operate it. File a claim immediately with the carrier, stating the extent of damage. Carefully check all envelopes, shipping labels, and tags before removing or destroying them. Ensure that the parts listed in Table 1 are included in the package. If you are missing any parts, contact Customer Support at 1-800-264-3578, 7 a.m. to 5 p.m., Monday through Friday (CT).

Table 1 Kit contents

Qty.	Description	Part Number
1	Bracket, Center	8613166
2	Bracket, End, Horizontal	8613168
4	Screw #10 Pan-Head, TORX, Steel	7011246A-06

Mounting the Light

⚠ WARNING

AIRBAG DEPLOYMENT—Do not install equipment or route wiring in the deployment path of an airbag. Failure to observe this warning will reduce the effectiveness of the airbag, or potentially dislodge the equipment, causing serious injury or death.

IMPORTANT: Plan all cable routing before the installation.

NOTE: For electrical installation instructions, refer to the instructions packed with the lightheads.

To mount the lights:

1. Route the wires from the lightheads through the brackets.
-

NOTICE

DO NOT OVERTIGHTEN SCREWS/NUTS—To avoid damage to the lightheads do not overtighten the screws and nuts.

2. Mount the lightheads to the end brackets:
 - See Figure 1 on page 3 The IMPAXX 3 mounts with the bezel and the hardware included with the lighthead.
 - The MPAXX 6 (Figure 2 on page 3) and the Viper EXT (Figure 3 on page 4) mount with the hardware included with the lighthead, but without the bezel. Remove the two #10 Type B TORX screws from the back of the IMPAXX 6 before mounting the lighthead.
 - See Figure 4 on page 4. The MicroPulse 3 mounts with the hardware included with the lighthead.
 3. Mount the end brackets to the center bracket with the #10 Type B TORX screws. Do not tighten the screws yet.
 4. Mount the lighthead/bracket assembly behind the license plate with user-supplied hardware.
 5. Adjust the aim of the lightheads, then tighten the #10 Type B TORX screws.
 6. Connect the IMPAXX, Viper EXT lightheads, or MicroPulse 3 lightheads as described in the instructions provided with the lightheads.
-

⚠ WARNING

LIGHT HAZARD—To be an effective warning device, an emergency warning system produces bright light that can be hazardous to your eyesight when viewed at close range. Do not stare directly into the light at close range or permanent damage to your eyesight may occur.

7. Test the lightheads for proper operation.

Figure 1 IMPAXX 3 lighthead mounted to license plate holder

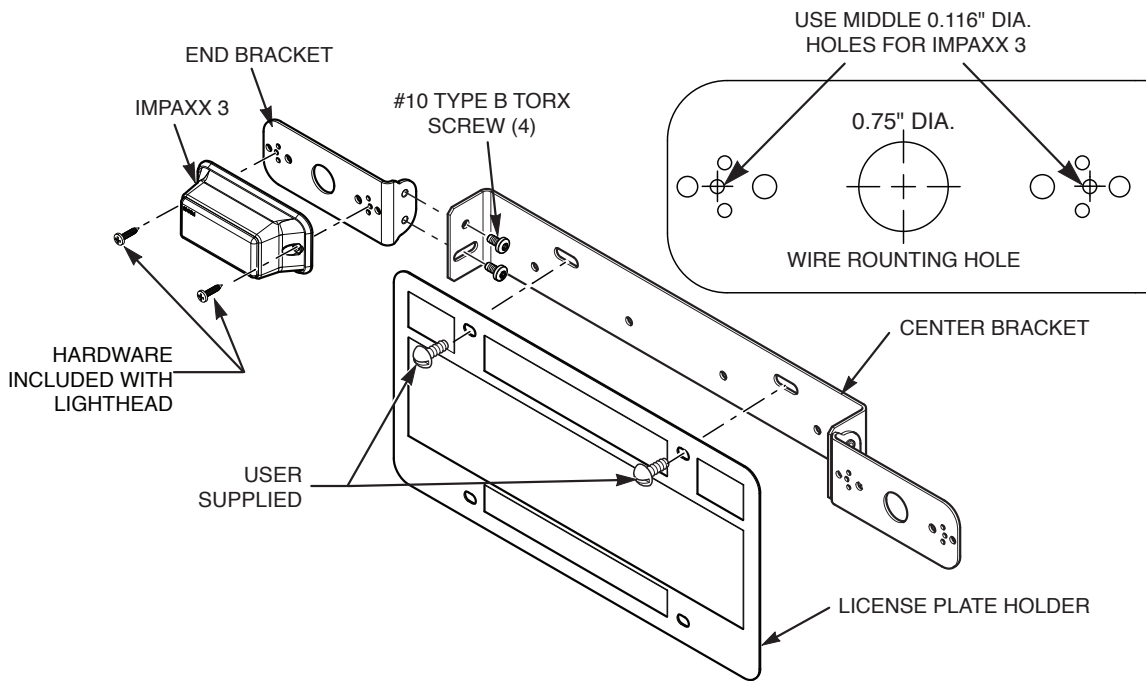


Figure 2 IMPAXX 6 lighthead mounted to license plate holder

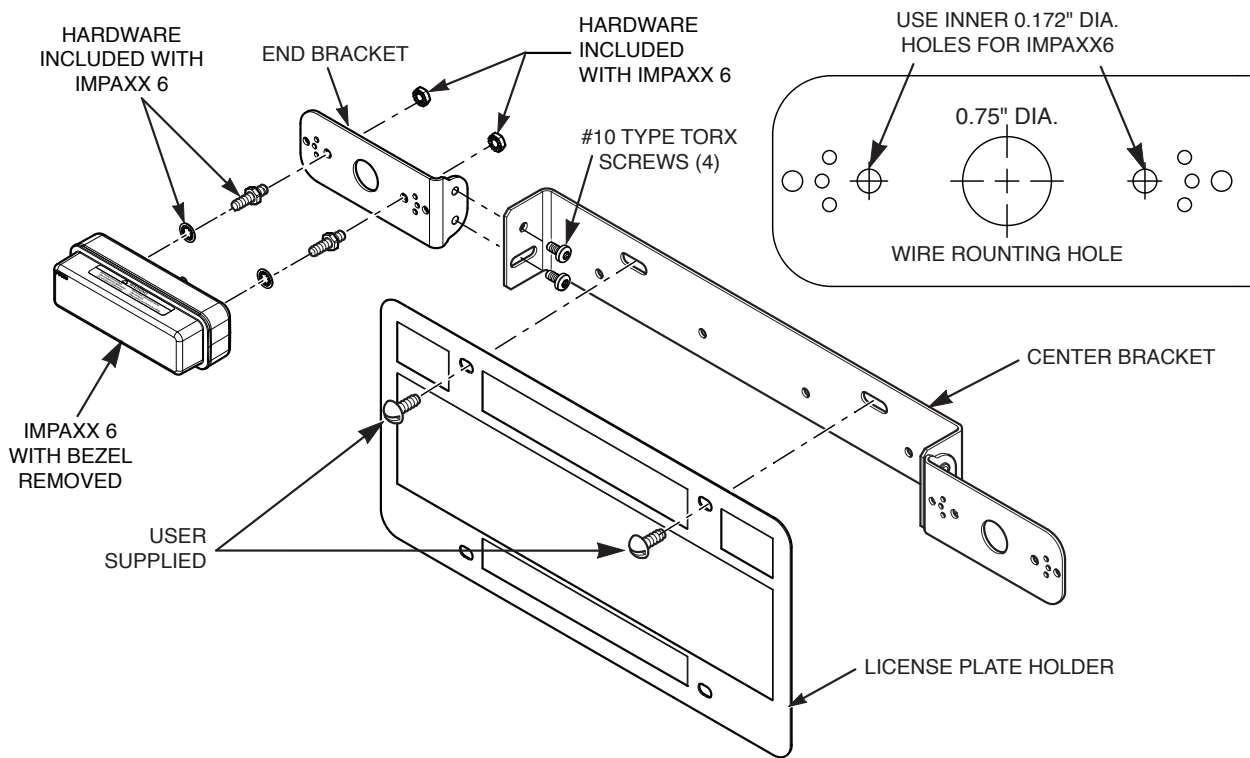


Figure 3 Viper EXT lighthead mounted to license plate holder

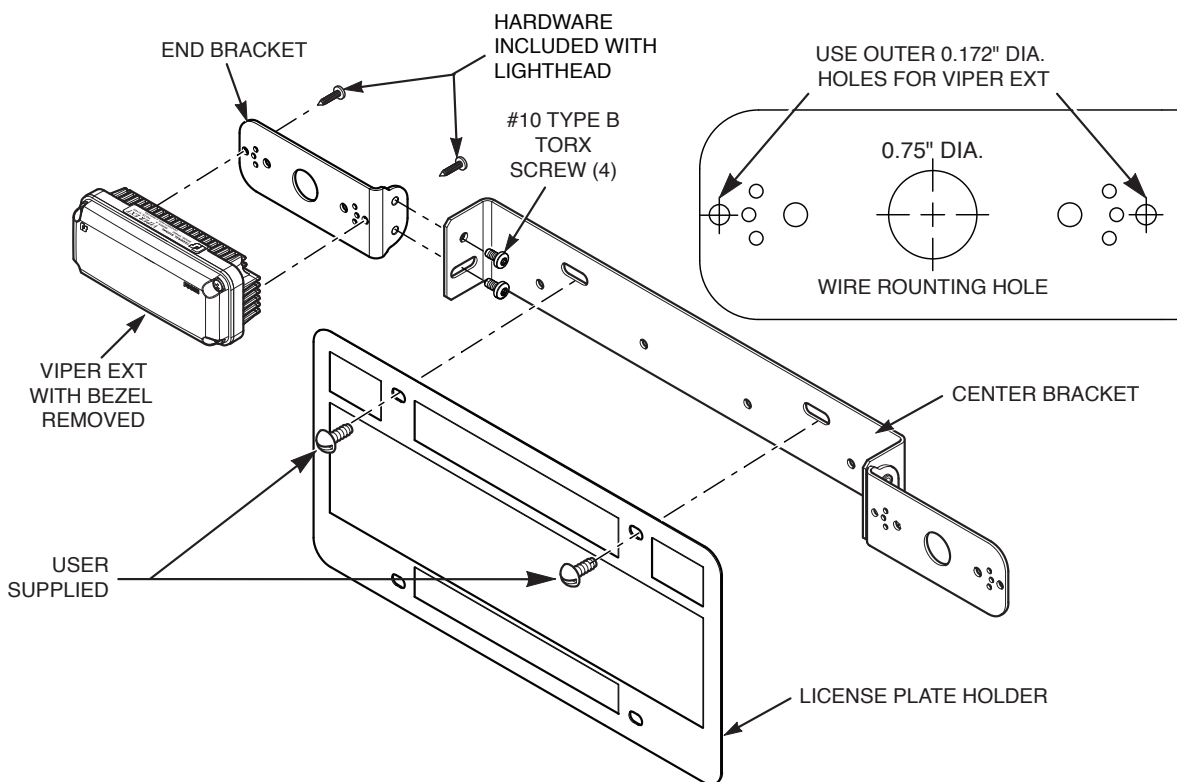


Figure 4 MicroPulse 3 lighthead mounted to license plate holder

