

Quick Connect Guide: SSP3000B/SSP2000B System Wiring Connections

For details, see the "SmartSiren Platinum Series Installation, Maintenance, and Service Manual" (P/N 2562502) and the "Convergence Network Configuration Software Manual" (P/N 2562418).

2562417C REV. C0 0914

Back of SSP3000B Siren Amplifier / Relay Module

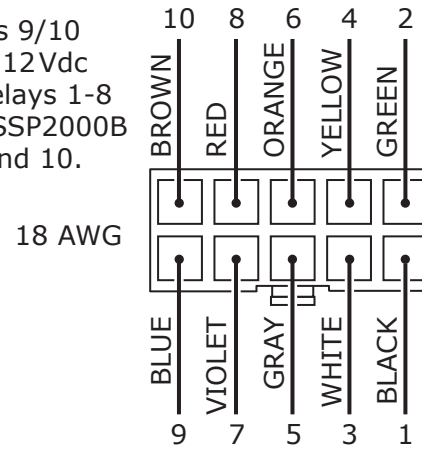
SERIAL PORTS: Connect up to two Federal Signal serially-controlled devices.

FS CONVERGENCE™ NETWORK CONNECTIONS (to serially-controlled devices)

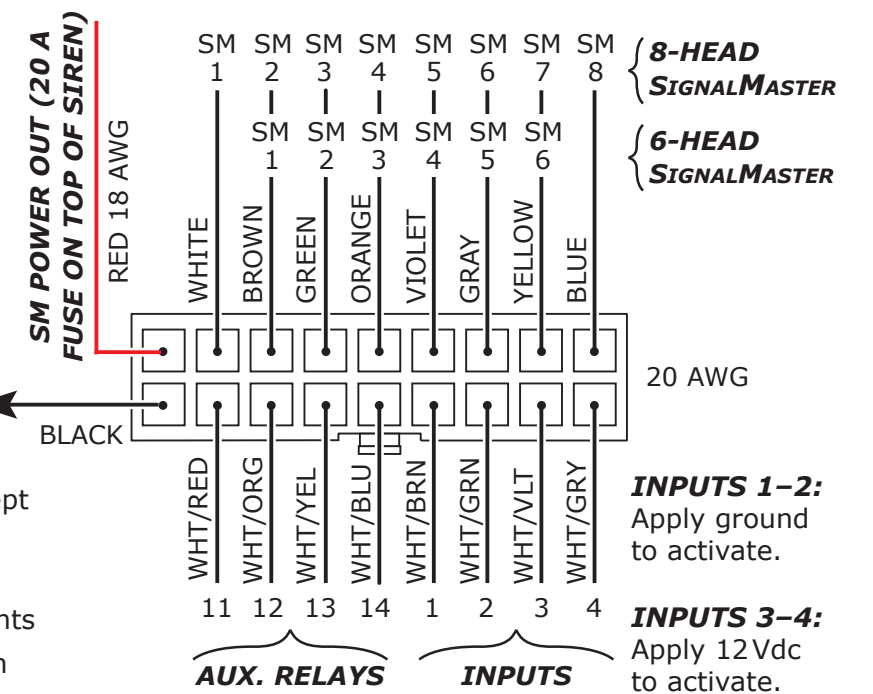
For these two connectors (P/N 1751541 and P/N 1751542-01) see the enlarged detail on the right.

AUX. RELAY 1-10: 10A solid-state relays 9/10 can be configured as 12Vdc out or ground out. Relays 1-8 are 12 Vdc out. The SSP2000B has only relays 1-6 and 10.

RELAY CABLE ASSY. (P/N 1751541)



SIGNALMASTER™, RELAY and INPUTS CABLE ASSY. (P/N 1751542-01)



PARK INPUT (BLACK): Sends a signal to the siren amplifier that:

- mutes all siren tones except Air Horn and Manual
- OR
- disables white flashing lights when the vehicle transmission is shifted into park or neutral.

INPUTS 1-2: Apply ground to activate.

INPUTS 3-4: Apply 12Vdc to activate.

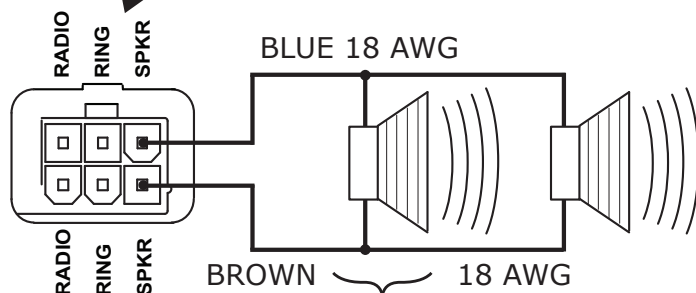
AUX. RELAYS 11-14: 2A solid-state relays are 12Vdc out only.

CAUTION
DO NOT EXCEED 5 AMPS
MAXIMUM ON HORN RING
CIRCUIT. SEE INSTALLATION
INSTRUCTIONS

FS CONVERGENCE NETWORK CONNECTION CABLE, 25 FEET LONG (P/N 1751357-02)

6-PIN CABLE ASSY. (P/N 17500307):

See connector detail below.

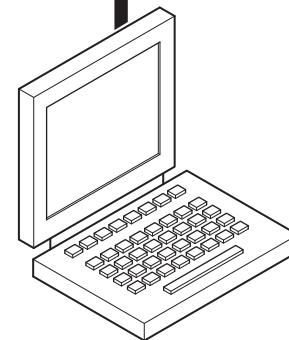


RADIO: Rebroadcasts incoming radio messages through the siren speakers.

HORN RING: Enables the step-through selection of siren tones each time the horn ring is pressed while the control of the tone is transferred.

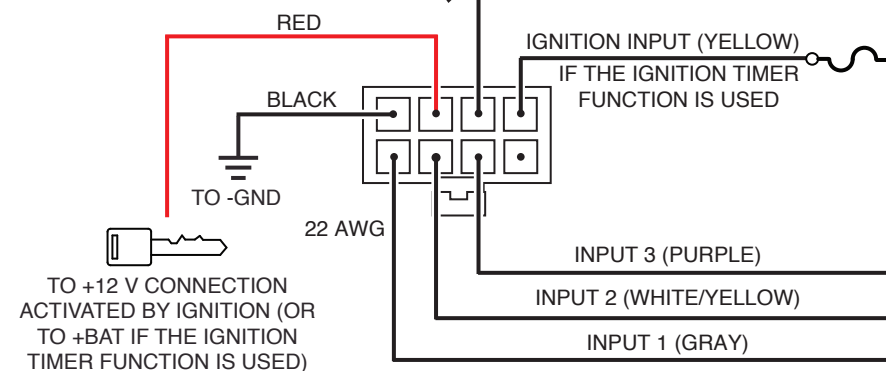
SPEAKERS: Two are connected in parallel and in phase (SSP3000B). SSP2000B has only one speaker.

ETHERNET CABLE ASSY. (P/N 1751532)



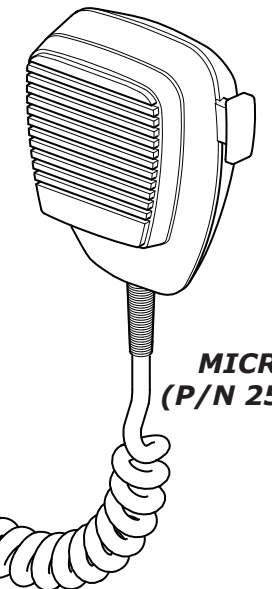
Computer for the software configuration of the siren system.

CONTROL PAD CABLE ASSY. (P/N 17500308)



ACTIVE-LOW INPUTS 1-4: Ground-activated. Can be programmed to activate with the control pad, installer-supplied switches (current capacity of 100 mA each), or with the two-position switches on the steering wheel of the Ford Police Interceptor.

MICROPHONE (P/N 258B577-03)



Quick Connect Guide: SSP3000B/SSP2000B System LED Indicators, Fuses, and Volume Controls

Front of Siren Amplifier/Relay Module (SSP3000B shown)

AUX 11-14: LED glows when the output is on for a 2A auxiliary solid-state relay. These relays are active-high only and are internally protected by electronic short-circuit detection circuits.

SM 20A: 20A fuse (SIGNALMASTER)

10A AUX 1-10: 10A fuses for 10A auxiliary solid-state relays. Relays 9/10 can be configured as 12 Vdc out or ground out. Relays 7, 8, and 9 are not available on the SSP2000B.

AUX PWR: LED glows on the SSP3000B when battery power and serial cable power are present.

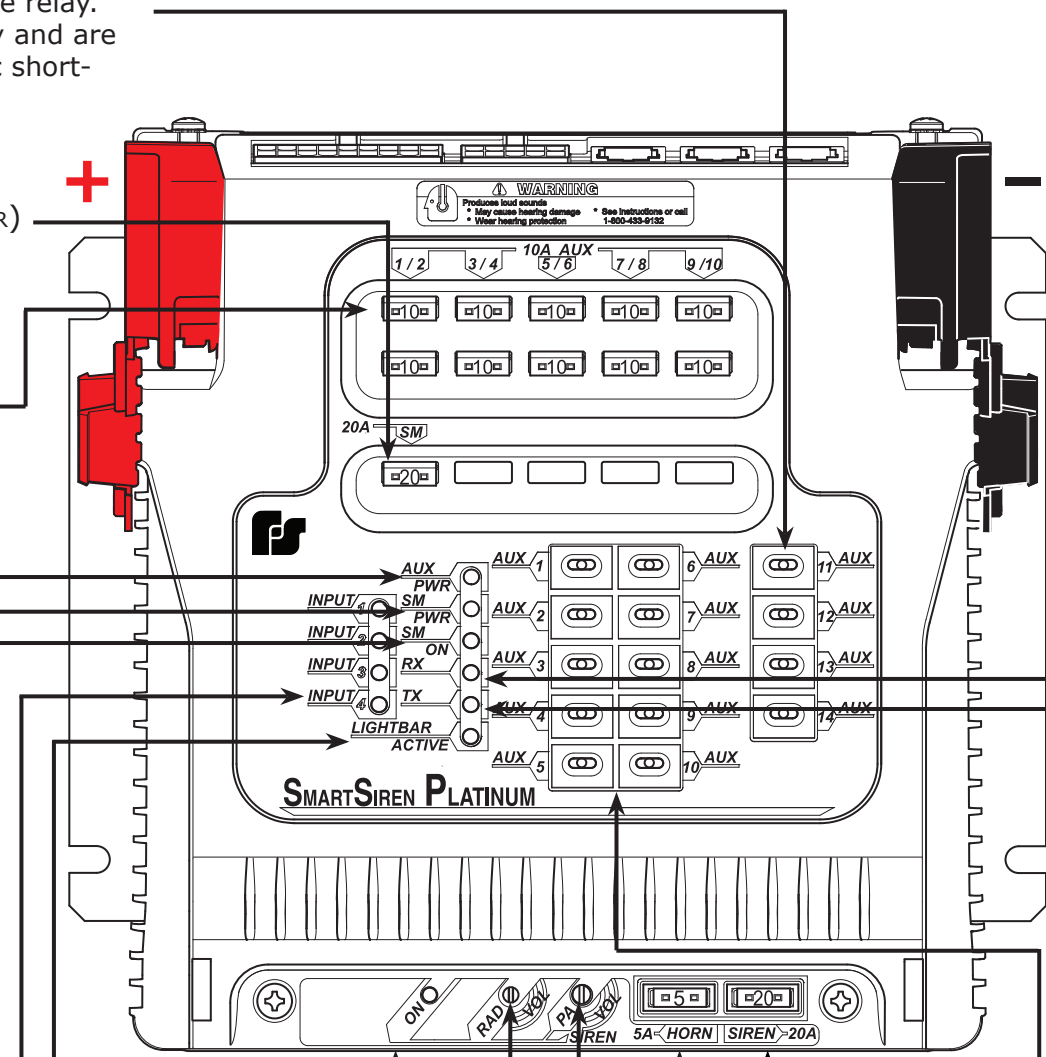
SM PWR: LED glows on the SSP3000B when the SIGNALMASTER has power.

SM ON: LED glows on the SSP3000B when the SIGNALMASTER flashes.

INPUT 1-4: LEDs glow on the SSP3000B when an input is receiving a signal. Voltage and amperage are required for the signal.

LIGHTBAR ACTIVE: LED glows on the SSP3000B when the lightbar is flashing.

PWR: LED glows when the siren system has power.



SIREN 20A: 20A fuse for the siren.

5A HORN: 5A fuse for horn-ring circuit.

PA VOL: Screw for adjusting the factory-set PA volume. Only on select models with the microphone connector on the siren system.

RAD VOL: Screw for adjusting the factory-set radio rebroadcast volume.

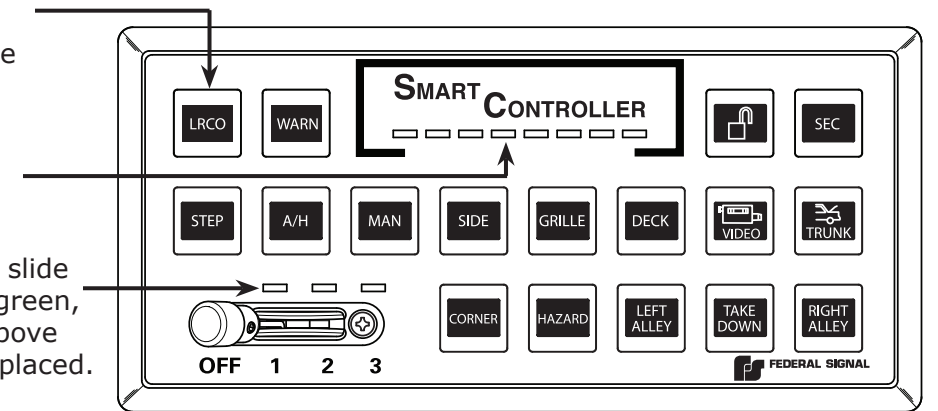
Front of Control Pad

Button LEDs: All buttons on the control pad glow red when the system is on. Pressed buttons glow brighter to indicate that the function they control is active.

Amber LEDs: LEDs mimic these active SIGNALMASTER patterns: Left, Right, Center-Out, or Warn patterns 1-4.

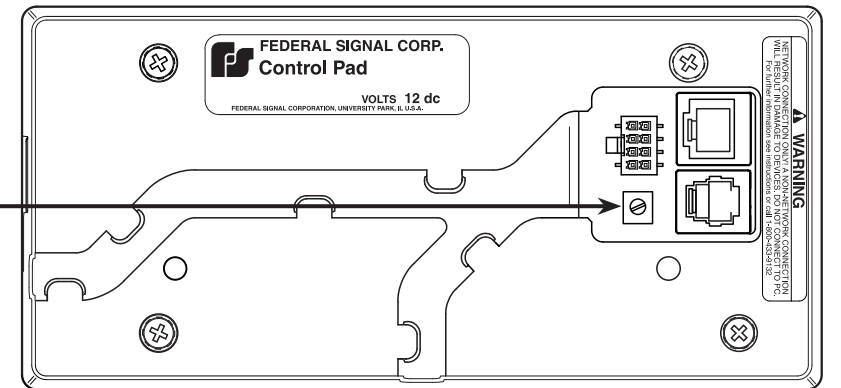
SLIDE SWITCH LEDs: LEDs above the slide switch glow when the system is on (1=green, 2=amber, 3=red). The LED brightens above the position in which the slide switch is placed.

KEYPAD: The keypad legends in the illustration are for a typical configuration. The SSP3000B kit includes additional legends. All buttons are programmable.



Back of Control Pad

PA VOL: Screw for adjusting the factory-set public address volume.



RX (Receive): LED flashes on the SSP3000B when the siren system receives a message on the FS CONVERGENCE network.

TX (Transmit): LED flashes on the SSP3000B when the siren system transmits a message on the FS CONVERGENCE network.

AUX 1-10: LED glows on the SSP3000B when the output is on for an 10A auxiliary solid-state relay. Relays 9/10 can be configured as 12 Vdc out or ground out.

External Fuses at a Glance

Each external mini ATM fuse on the SSP3000B has an integrated LED that glows when the fuse is blown. The table identifies the color code and amperage. (Fuses on the SSP2000B do not have lights.)

Color	Amp.
Tan	5
Red	10
Yellow	20