

2562447B REV. B1 0616

Safety Message to Installers of Warning Light Equipment

⚠ WARNING

People's lives depend on your safe installation of our products. It is important to read, understand and follow all instructions shipped with the products. In addition, listed below are some other important safety instructions and precautions you should follow:

- To properly install a light assembly, you must have a good understanding of automotive electrical procedures and systems, along with proficiency in the installation and use of safety warning equipment.
- Before drilling into a vehicle structure, be sure that both sides of the surface are clear of anything that could be damaged.
- If a vehicle seat is temporarily removed, verify with the vehicle manufacturer if the seat needs to be recalibrated for proper airbag deployment.
- This product contains high intensity LED devices. To prevent permanent eye damage, DO NOT stare into the light beam at close range.
- You should frequently inspect the light system to ensure that it is operating properly and that it is securely attached to the vehicle.
- Refer to the instructions packed with related products for additional precautions and information.
- File these instructions in a safe place and refer to them when maintaining or reinstalling the product.

Failure to follow all safety precautions and instructions may result in property damage, serious injury, or death.

Mounting Bracket for IMPAXX® and Viper® EXT

This publication has instructions for using the IPX-PBL1 mounting bracket to mount IMPAXX or Viper EXT lightheads on a push bumper or other flat surface.

Unpacking the Kit

After unpacking the kit, inspect it for damage that may have occurred in transit. If it has been damaged, do not attempt to install or operate it. File a claim immediately with the carrier, stating the extent of damage. Carefully check all envelopes, shipping labels, and tags before removing or destroying them. Ensure that the parts listed in Table 1 are included in the package. If you are missing any parts, contact Customer Support at 1-800-264-3578, 7 a.m. to 5 p.m., Monday through Friday (CT).

Table 1 Kit contents

Qty.	Description	Part Number
2	Bracket, "L", IPX/VPR	8613179
4	Screw, #6-32, Pan Head	7000A491-08
4	Nut, Keps, #6-32	7058A046
4	Screw, #10 Type B	7011A122-06
2	Wire Tie	150A109

NOTE: For electrical installation instructions, refer to the Installation and Maintenance Instructions packed with the IMPAXX or Viper EXT.

Mounting the Light

⚠ WARNING

AIRBAG DEPLOYMENT: Do not install equipment or route wiring in the deployment path of an air bag. Failure to observe this warning will reduce the effectiveness of the airbag, or potentially dislodge the equipment, causing serious injury or death.

IMPORTANT: Plan all cable routing before the installation.

1. Position a bracket on the selected mounting location. Mark the center of the two mounting holes.

NOTICE

DRILLING PRECAUTIONS: Before drilling holes, check the area you are drilling into to be sure you do not damage vehicle components. All drilled holes should be de-burred and all sharp edges should be smoothed. All wire routings going through drilled holes should be protected by a grommet or convolute/split loom tubing.

2. Use a #21 drill bit to drill a 0.159-inch hole at each mark.
3. Route the wires from the lighthouse through the mounting bracket.

NOTICE

DO NOT OVERTIGHTEN SCREWS/NUTS: To avoid damage to the lighthoods do not overtighten the screws and nuts.

4. Mount the lighthouse to the mounting bracket:
 - a) IPX300 Series lighthoods use the bezel that came with the lighthouse and the #6 screws and KEPS nuts (Figure 1).
 - b) IPX600 Series lighthoods use the 8-32 thread forming screws that came with the lighthouse (Figure 2).
 - c) Viper EXT lighthoods use the #8 screws that came with the lighthouse (Figure 3).

Figure 1 IPX300 lighthouse secured to mounting bracket

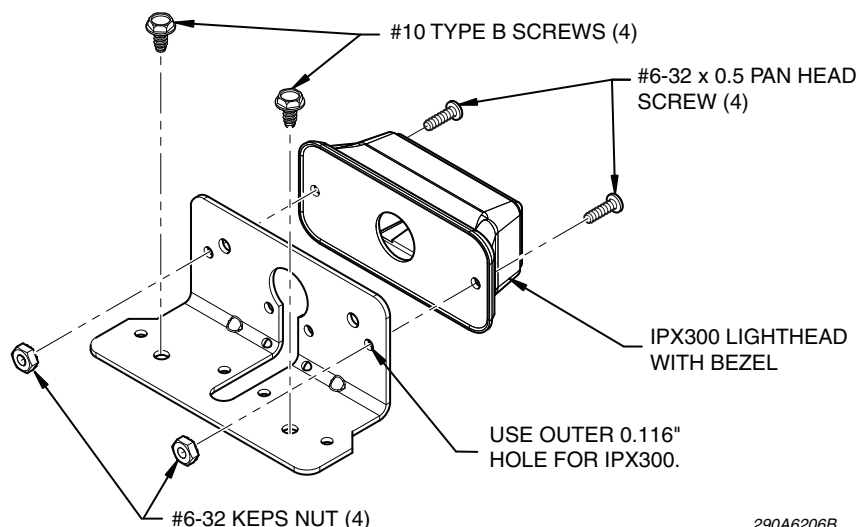


Figure 2 IPX600 lighthead secured to mounting bracket

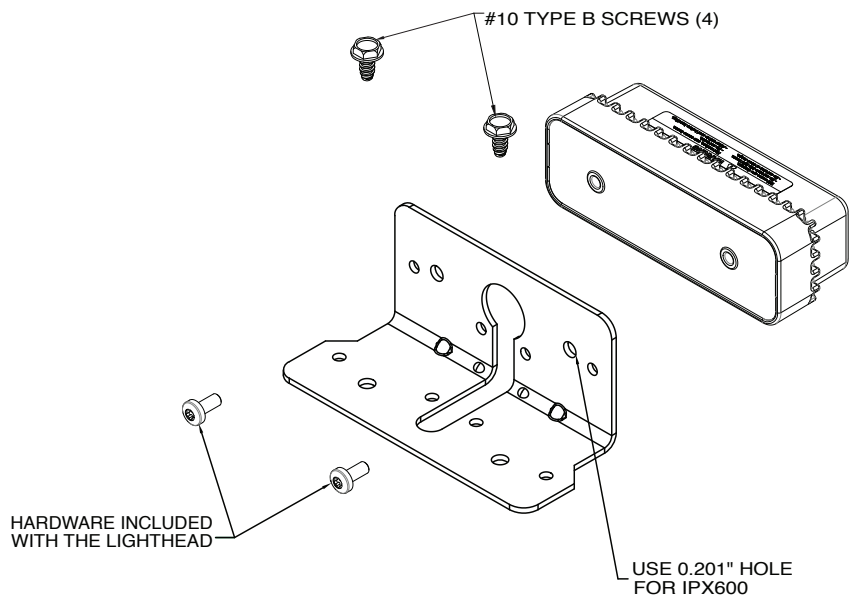
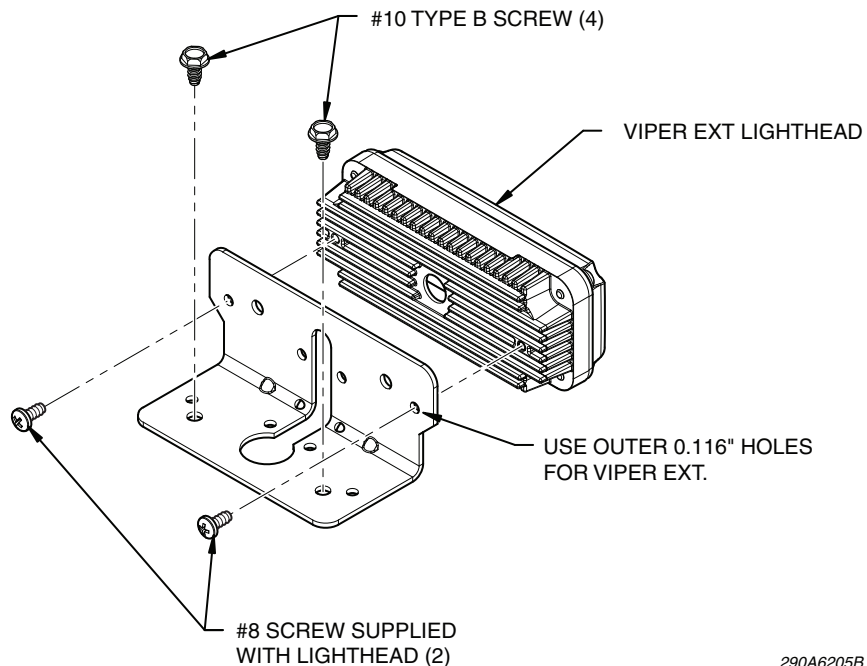


Figure 3 Viper EXT lighthead secured to mounting bracket



5. Mount the lighthead and bracket assembly to the surface with the #10 Type B screws.
6. Repeat steps 1 through 5 for the other side.
7. Connect the IMPAXX or Viper EXT lightheads as described in the instructions provided with the lightheads.

Ordering Replacement Parts

To order replacement parts, please contact your local dealer/distributor or:

Federal Signal Corporation
Customer Support
Phone: 1-800-264-3578
(7 a.m. to 5 p.m., Monday through Friday, Central Time)

Getting Technical Support and Service

For technical support and service, please contact:

Federal Signal Corporation
Service Department
Phone: 1-800-433-9132
Fax: 1-800-343-9706
Email: empSERVICEinfo@fedSIG.com

Returning a Product to Federal Signal

Before returning a product to Federal Signal, call 800-264-3578, 800-433-9132, or 800-824-0254 to obtain a Returned Merchandise Authorization number (RMA number). To expedite the process please be prepared with the following information:

- Your Federal Signal customer or account number.
- The purchase order number under which the items were purchased.
- The shipping method.
- The model or part number of the product being returned.
- The quantity of products being returned.
- Drop ship information as needed.
- Any estimate required.

When you receive your RMA Number:

- Write the RMA number on the outside of the box of returned items.
- Reference the RMA number on your paperwork inside of the box.
- Write the RMA number down, so that you can easily check on status of the returned equipment.

Send all material with the issued RMA Number to:

Federal Signal Corporation
2645 Federal Signal Drive
University Park, IL 60466
Attn: Service Department
RMA: # _____