

2562359B REV. B1 0520

Safety Message to Installers of Warning Light Equipment

⚠ WARNING

People's lives depend on your proper installation and servicing of Federal Signal products. It is important to read and follow all instructions shipped with this product and the original product. Listed below are some other important safety instructions and precautions you should follow:

- To properly install the lighting system, you must have a good understanding of automotive systems, along with proficiency in the installation and use of safety warning equipment.
- If a vehicle seat is temporarily removed, verify with the vehicle manufacturer if the seat needs to be recalibrated for proper airbag deployment.
- When drilling into a vehicle structure, ensure that both sides of the surface are clear of anything that could be damaged.
- Refer to the instructions included with the light system for the proper electrical connections.
- To be an effective warning device, this product produces bright light that can be hazardous to your eyesight when viewed at close range. Do not stare directly into this lighting product at close range, or permanent damage to your eyesight may occur.
- Frequently inspect the light system to ensure that it is operating properly and is securely attached to the vehicle.
- Refer to the instructions packed with related products for additional precautions and information.
- File these instructions in a safe place and refer to them when maintaining or reinstalling the product.

Failure to follow all safety precautions and instructions may result in property damage, serious injury, or death.

Unpacking the Kit

After unpacking the kit, inspect it for damage that may have occurred in transit. If it has been damaged, do not attempt to install or operate it. File a claim immediately with the carrier, stating the extent of the damage. Carefully check all envelopes, shipping labels, and tags before removing or destroying them. Ensure that the parts listed in Table 1 are included in the package.

Table 1 Kit contents

Qty.	Description	Part No.	Qty.	Description	Part No.
2	Permanent Mount Mounting Foot	8653183-01	8	5/16-inch Split Lock Washer	7074A020
4	0.29-inch Foot Pad	8653157-03	8	5/16-18 Nut	7059125
4	0.44-inch Foot Pad	8653157-04	4	1/4-20 Toggle Bolt	8422A032
4	0.69-inch Foot Pad	8653157-07	4	1/4-inch Flat Washer	7072A024
8	5/16-18 x 1-inch Carriage Bolt	7004025-16	4	1/4-20 Jam Nut	7057A049
8	5/16-inch Flat Washer	7072A031	4	1/4-20 Acorn Nut	7054A010

Installing the Mounting Foot

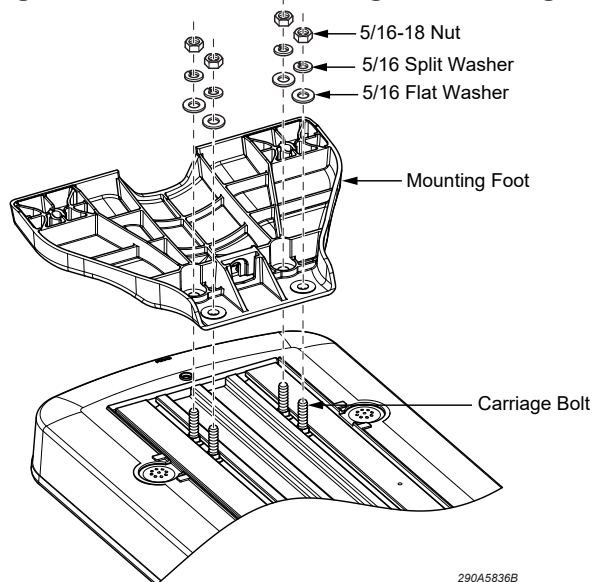
⚠ WARNING

HEAVY OBJECT: Use lifting aids and proper lifting techniques when removing or replacing this product. Failure to follow this warning may cause personal injury.

To install the mounting foot:

1. Turn the light bar upside down on soft rags or cardboard to avoid marring the plastic domes.
2. Insert two 5/16-18 carriage bolts into each track in the aluminum extrusion through the center access holes. Position the bolts to match the holes in the mounting foot. See Figure 1.

Figure 1 Hardware for installing the mounting foot



3. Place a mounting foot over the four carriage bolts. Install four 5/16-inch flat washers, lock washers, and nuts. Leave the nuts just loose enough to enable you to reposition the mounting foot. Do not tighten the bolts yet.
4. Temporarily attach two 0.44-inch thick mounting pads to the mounting foot with tape. Do not cover the hole in the pad or foot with the tape.
5. Repeat steps 1 through 4 for the other side of the light bar.

Selecting a Mounting Location on the Vehicle Roof

Refer to the installation and maintenance instructions included with the light bar for electrical installation instructions. Plan all cable routing before the installation.

To select a mounting location on the vehicle roof:

1. Place the light bar assembly on the vehicle roof at the selected location. Usually the light bar assembly should be installed so that it is centered on the door center post.
2. Adjust both mounting foot assemblies in or out until the foot pads rest near the edge of the roof or gutter where the roof is the most rigid. Both the light bar and the mounting feet should be centered left to right on the vehicle.
3. Ensure that the light bar is level. To level the light bar, use foot pads of different thicknesses and/or reposition the light bar slightly forward or backward.

- Using the mounting feet as a template, scribe two drill-position marks on each end of the light bar for the toggle bolts.
- Carefully remove the light bar and turn it upside down on soft rags or cardboard.

Mounting the Light Bar Assembly

NOTICE

DO NOT OVERTIGHTEN NUTS: To avoid damage to the light bar, do not overtighten the nuts.

To mount the light bar assembly:

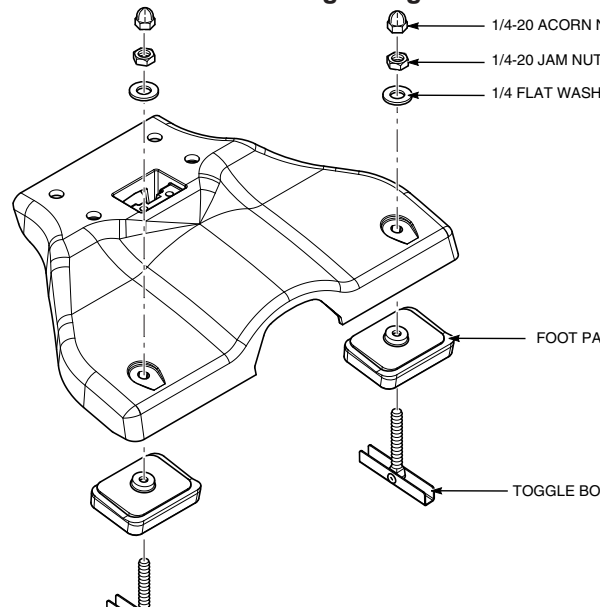
- Torque to 120 in-lb to 132 in-lb the eight 5/16-inch nuts that secure the mounting feet to the light bar.

NOTICE

DRILLING PRECAUTIONS: Before drilling holes, check the area into which you plan to drill to ensure that you do not damage vehicle components. All drilled holes should be deburred and all sharp edges should be smoothed. All wires going through drilled holes should be protected by a grommet or convolute/split-loom tubing.

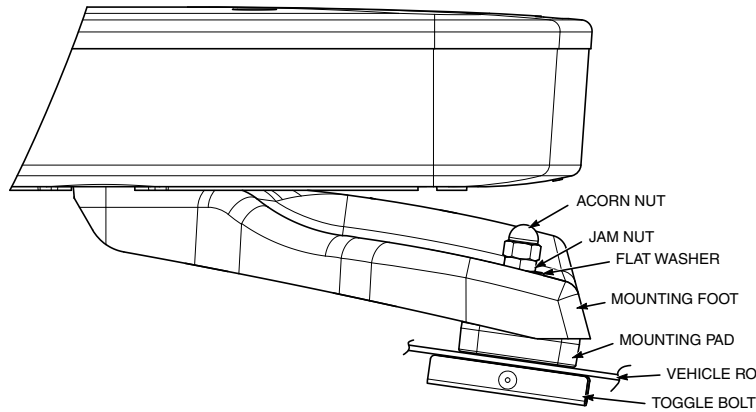
- Recheck the positions of the four drill position marks for the toggle bolts. Drill a 1/2-inch diameter hole at each of the marks.
- Insert a toggle bolt in each hole and seal the hole with RTV. See Figure 2.

Figure 2 Hardware for mounting the light bar to the vehicle



- Place a rubber mounting pad of the appropriate thickness over each bolt. Avoid dropping the bolts through the holes as you install the pads.
- Place the mounting feet down over the ends of the toggle bolts.
- Install a 1/4-inch flat washer on each toggle bolt and secure it with a jam nut. Tighten each jam nut just until the rubber pad begins to bulge. Do not exceed a torque of 60 in-lb.
- Saw off the toggle bolts 3/16 inch above the jam nuts and screw the acorn nuts onto the bolts. The light bar should now be securely anchored to the roof. See Figure 3.

Figure 3 Light Bar attached to vehicle roof



8. Ensure that all fasteners are properly tightened.

IMPORTANT: Frequently inspect the light bar to ensure that all fasteners are tight.

Getting Technical Support

For technical support, please contact:

Federal Signal Corporation
Service Department
Phone: 1-800-433-9132
Email: emp-serviceinfo@fedsig.com

Getting Repair Service

The Federal Signal factory provides technical assistance with any problems that cannot be handled locally. Any product returned to Federal Signal for service, inspection, or repair must be accompanied by a Return Material Authorization (RMA). Obtain a RMA from a local Distributor or Manufacturer's Representative. Provide a brief explanation of the service requested, or the nature of the malfunction.

Address all communications and shipments to the following:

Federal Signal Corporation
Service Department
2645 Federal Signal Dr.
University Park, IL 60484-3167



2645 Federal Signal Drive
University Park, Illinois 60484-3167

www.fedsig.com

Customer Support

Police/Fire-EMS: 800-264-3578 • +1 708 534-3400

Work Truck: 800-824-0254 • +1 708 534-3400

Technical Support: 800-433-9132 • +1 708 534-3400

© Copyright 2009 - 2020 Federal Signal Corporation