

INSTRUCTION SHEET FOR OPTIONAL SWITCH ASSEMBLY

SAFETY MESSAGE TO INSTALLERS



People's lives depend on your safe installation of our products. It is important to read, understand and follow all instructions shipped with the products. In addition, listed below are some other important safety instructions and precautions you should follow:

- To properly install the equipment described in this instruction sheet: you must have a good understanding of automotive electrical procedures and systems, along with proficiency in the installation and use of safety warning equipment.
- DO NOT install equipment or route wiring in the deployment path of an air bag.
- When drilling into a vehicle structure, be sure that both sides of the surface are clear of anything that could be damaged.
- File these instructions in a safe place and refer to them when maintaining and/or reinstalling the product.

Failure to follow all safety precautions and instructions may result in property damage, serious injury, or death to you or others.

NOTE

Maximum allowable current per switched device is 10-amperes.

INSTALLATION.



When installing equipment inside air bag equipped vehicles, the installer **MUST** ensure that the equipment is installed **ONLY** in areas recommended by the vehicle manufacturer.

Failure to observe this warning will reduce the effectiveness of the air bag, damage the air bag, or potentially damage or dislodge the equipment, causing serious injury or death to you or others.

- A. Choose a location for the separately purchased/user-supplied switch bracket that allows the vehicle and all controls to be operated safely at all times.
- B. Use the switch bracket as a template and scribe drill positioning marks at the selected mounting location.



Before drilling holes in ANY part of a vehicle, be sure that both sides of the mounting surface are clear of parts that could be damaged; such as brake lines, fuel lines, electrical wiring or other vital parts.

- C. Drill 0.144" diameter holes at the position marks.



Ensure that the mounting screws do not touch the wiring or any of the switch terminals.

- D. Secure the switch bracket to the mounting surface with user-supplied #10 self-tapping screws.



Pilot lamps are rated for 12VDC. Do not connect pilot lamp ground on 24VDC systems.

- E. See figure 1 for wiring instructions.

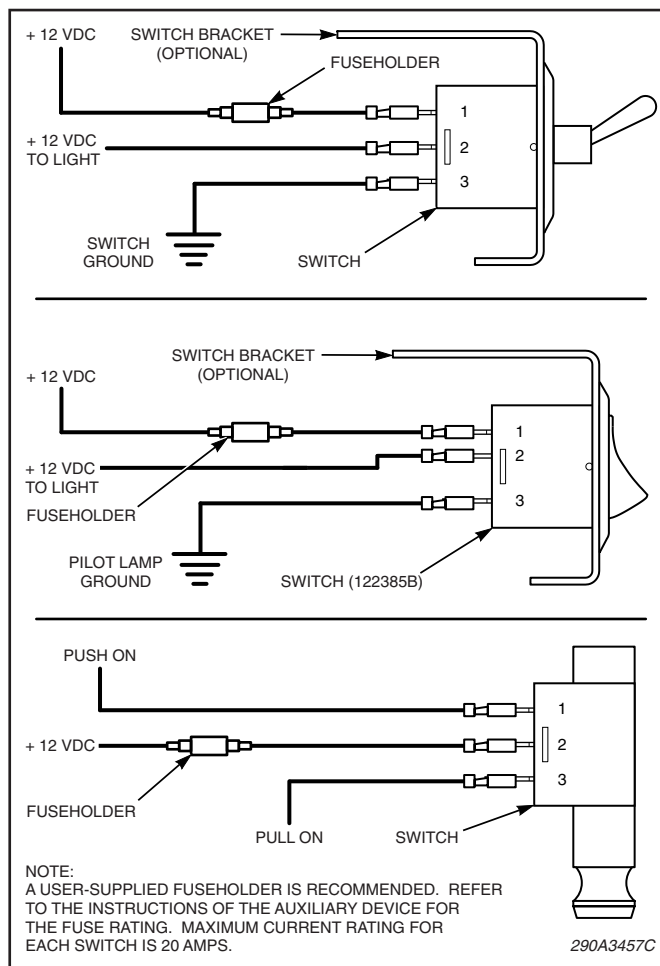


Figure 1.