

2562337 Rev. A1 0920

Safety Message to Installers of Warning Light Equipment
⚠ WARNING

People's lives depend on your safe installation of Federal Signal products. It is important to read, understand, and follow all instructions shipped with this product. Listed below are some other important safety instructions and precautions you should follow:

- To properly install a light assembly, you must have a good understanding of automotive electrical procedures and systems, along with proficiency in the installation and use of safety warning equipment.
- When drilling into a vehicle structure, ensure that both sides of the surface are clear of anything that could be damaged.
- A light system is a high current device. In order for it to function properly, make a separate ground connection. If practical, connect it to the negative battery terminal. At a minimum, attach to a solid metal body or chassis part that provides an effective ground path as long as the light system is to be used.
- To be an effective warning device, this product produces bright light that can be hazardous to your eyesight when viewed at close range. Do not stare directly into this lighting product at close range, or permanent damage to your eyesight may occur.
- Frequently inspect the light system to ensure that it is operating properly and that it is securely attached to the vehicle.
- Refer to the instruction sheets included with related products for additional precautions and information.
- File these instructions in a safe place and refer to them when maintaining or reinstalling the product.

Failure to follow all safety precautions and instructions may result in property damage, serious injury, or death.

Product Overview

This instruction sheet provides instructions for installing the Legend light bar on a flat mounting surface. Plan all cable routing prior to installing unit.

Unpacking

After unpacking the kit, inspect the unit for damage that may have occurred in transit. If the contents have been damaged, do not install the panel assemblies. File a claim immediately with the carrier, stating the extent of the damage. Carefully check all envelopes, shipping labels, and tags before removing or destroying them.

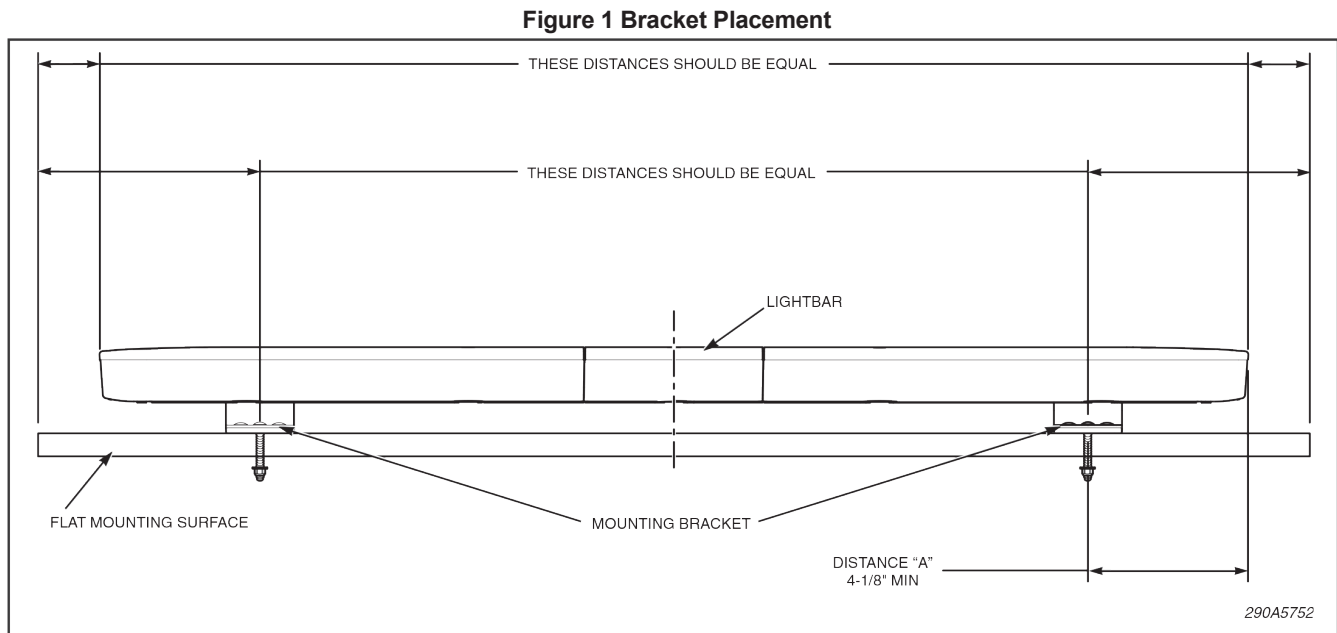
Table 1 Kit Contents

Qty	Description	Part No.
2	Bracket, Mounting	8653167
8	Bolt, Carriage, 5/16-18 x 1", Stainless Steel	7004025-16
8	Nut, Nylon Lock 5/16-18	7058A011
4	Pad, Foot	8572029
4	Bolt, Carriage, 1/4-20 x 1-1/2", Stainless Steel	7004A020-24
4	Bolt, Carriage, 1/4-20 x 2-1/2", Stainless Steel	7004A020-40
4	Washer, Flat, 1/4", Stainless Steel	7074A024
4	Nut, Nylon Lock 1/4-20	7058A009

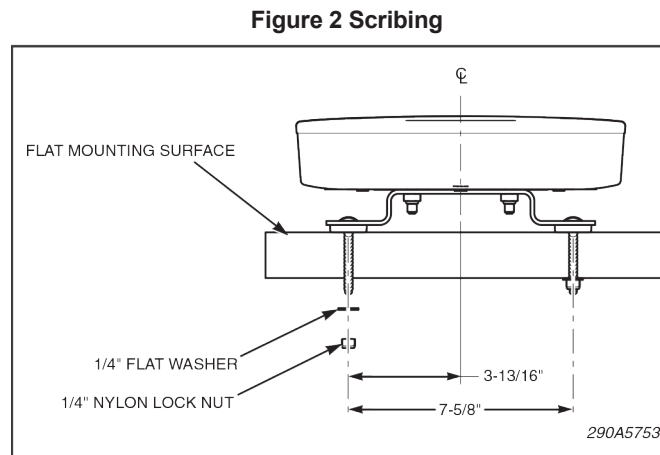
Installing the Legend and LPX Replacement Panel Assemblies

Installing the Mounting Kit

1. Position the light bar assembly on the flat mounting surface. The light bar should be centered on the flat mounting surface. See Figure 1.



2. Scribe a drill mark at least 4-1/8-inch from the end of the light bar and 3-13/16-inches forward of the light bar center. Repeat on the other end of the light bar. Note and record distance "A." See Figure 2.



IMPORTANT: Ensure that the other mounting bolt position marks are AT LEAST 4-1/8 inches in from the end of the light bar.

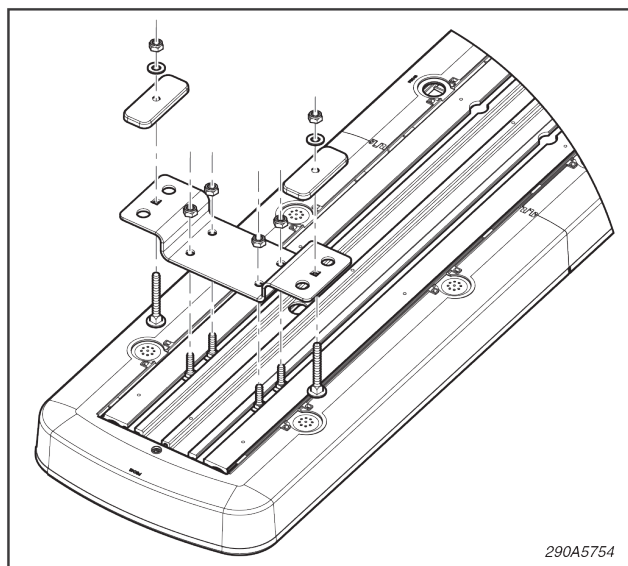
3. Scribe another drill position mark 7-5/8 inches behind from the previously scribed drill position mark. Make sure the holes are centered front to back on the light bar. Repeat on the other end of the light bar. See Figure 2.

⚠ WARNING

DRILLING PRECAUTIONS: Before drilling holes, check the area into which you plan to drill to ensure that you do not damage vehicle components. All drilled holes should be deburred and all sharp edges should be smoothed. Additionally, all exterior drilled holes must be sealed with Motorcraft seam sealer T-A-2-B or equivalent to prevent the potential exposure to carbon monoxide or other potentially harmful fumes. Failure to observe this warning could cause serious injury or death.

4. Drill four 9/32-inch holes at the previously scribed drill position marks.
5. Turn the light assembly over so that the bottom faces up. Place the unit on soft rags or cardboard to avoid marring the plastic domes. Insert two 5/16-18 carriage bolts into each track (four total) via the center access holes and position as shown to match holes in the mounting bracket. Repeat for the other side. See Figure 3.

Figure 3 Inserting the Carriage Bolts



6. Install two rubber foot pads into each mounting bracket. The 1/4-20 carriage bolts are provided in multiple lengths. Select the appropriate length for your installation and insert two 1/4-20 carriage bolts in each mounting bracket.

NOTICE

PROPERLY TIGHTEN NUTS: To avoid damaging the light bar, do not overtighten the nuts.

7. Place a mounting bracket assembly over the four carriage bolts. Position the mounting bracket at the previously recorded distance "A" (Step 2) and install four 5/16-18 nylon lock nuts. Tighten the 5/16-18 nylon lock nuts securely (132 in-lb). Repeat for other side.
8. Turn the light bar back to the upright position and insert the 1/4-20 carriage bolts into the previously drilled holes.
9. Attach the light bar assembly to the flat mounting surface with the 1/4-inch flat washers and 1/4-inch nylon lock nuts, tightening the 1/4-inch nuts securely (75 in-lb).

For technical support, please contact:

Federal Signal Corporation
Service Department
Phone: 1-800-433-9132
Email: emp-service-info@fedsig.com

Getting Repair Service

The Federal Signal factory provides technical assistance with any problems that cannot be handled locally. Any product returned to Federal Signal for service, inspection, or repair must be accompanied by a Return Material Authorization (RMA). Obtain a RMA from a local Distributor or Manufacturer's Representative. Provide a brief explanation of the service requested or the nature of the malfunction.

Installing the Legend and LPX Replacement Panel Assemblies

Address all communications and shipments to the following:

Federal Signal Corporation
Service Department
2645 Federal Signal Dr.
University Park, IL 60484-3167

Limited Warranty

This product is subject to and covered by a limited warranty, a copy of which can be found at www.fedsig.com/SSG-Warranty. A copy of this limited warranty can also be obtained by written request to Federal Signal Corporation, 2645 Federal Signal Drive, University Park, IL 60484, email to info@fedsig.com or call 1 708-534-3400.

This limited warranty is in lieu of all other warranties, express or implied, contractual or statutory, including, but not limited to the warranty of merchantability, warranty of fitness for a particular purpose and any warranty against failure of its essential purpose.

Ordering Replacement Parts

To order replacement parts, call Customer Support at 1-800-264-3578, 7 AM to 5 PM, Monday through Friday (CT) or contact your nearest distributor.

Table 2 Replacement Parts

Description	Part Number
PCB Assembly, End (Configured)	Contact Customer Support
PCB Assembly, Intermediate (Configured)	Contact Customer Support
PCB Assembly, Center (Configured)	Contact Customer Support
PCB Assembly, Controller	Contact Customer Support
Fuse, Mini, 15 Amp	148181-06
Seal, Lip, Clear (5.5 ft per end section; 3.5 ft per center section)	8583020-01
O-Ring, Dome Nut	7067016
Standoff, Nylon	230315



FEDERAL SIGNAL
Safety and Security Systems

2645 Federal Signal Drive
University Park, Illinois 60484-3167

www.fedsig.com

Customer Support

Police/Fire-EMS: 800-264-3578 • +1 708 534-3400

Work Truck: 800-824-0254 • +1 708 534-3400

Technical Support: 800-433-9132 • +1 708 534-3400

© Copyright 2007-2020 Federal Signal Corporation

All product names or trademarks are properties of their respective owners.