

2562302 Rev. B1 0520

## Safety Message to Installers of Warning Light Equipment

### **⚠ WARNING**

People's lives depend on your safe installation of Federal Signal products. It is important to read, understand, and follow all instructions shipped with this product. Listed below are some other important safety instructions and precautions you should follow:

- To properly install a light assembly, you must have a good understanding of automotive electrical procedures and systems, along with proficiency in the installation and use of safety warning equipment.
- A light system is a high current device. In order for it to function properly, make a separate ground connection. If practical, connect it to the negative battery terminal. At a minimum, attach to a solid metal body or chassis part that provides an effective ground path as long as the light system is to be used.
- To be an effective warning device, this product produces bright light that can be hazardous to your eyesight when viewed at close range. Do not stare directly into this lighting product at close range or permanent damage to your eyesight may occur.
- Frequently inspect the light system to ensure that it is operating properly and that it is securely attached to the vehicle.
- Refer to the instruction sheets included with related products for additional precautions and information.
- File these instructions in a safe place and refer to them when maintaining or reinstalling the product.

Failure to follow all safety precautions and instructions may result in property damage, serious injury, or death.

### **Product Overview**

The Legend/LPX light bar family uses three ROC Big Board panel assemblies. End and Intermediate panels are two per bar, all lengths; center panels are one for 53-inch bars, two for 61-inch bars, and three for 70-inch bars. These panels, supplied with LED Options installed, are available from the factory on a custom order basis.

### **Unpacking**

After unpacking the Legend and LPX Replacement Panel Assemblies, inspect the unit for damage that may have occurred in transit. If the contents have been damaged, do not install the panel assemblies. File a claim immediately with the carrier, stating the extent of the damage. Carefully check all envelopes, shipping labels, and tags before removing or destroying them.

### Installation

#### **⚠ WARNING**

**DISCONNECT POWER:** Disconnect ALL power to the light bar before any maintenance is performed. Failure to do so may result in property damage, serious injury, or death to you or others.

#### **⚠ CAUTION**

**COOL BEFORE HANDLING:** After prolonged operation, the unit gets hot and can cause burns. Do not touch the unit while or shortly after it has been operating. Always allow the unit to cool before handling.

### Removing and Inspecting the Dome

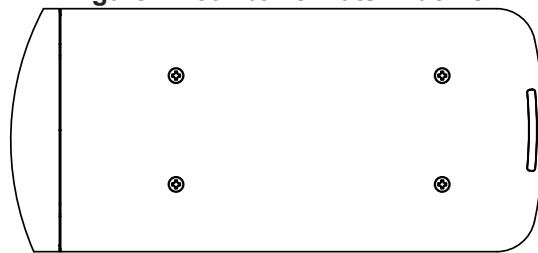
#### **NOTICE**

**PROPERLY TIGHTEN NUTS:** To prevent damage to the light bar, do not overtighten nuts.

To remove the dome:

1. Remove the barrel nuts, and then carefully remove the dome to avoid damaging the lip seal.
2. Verify that an O-ring is under the head of each barrel nut and not stuck to the dome. Use a wooden or plastic pick to remove the O-ring from the dome to prevent tearing the O-ring.
3. Inspect lip seal (on base) and O-rings to ensure that they are not torn, brittle, or damaged. Replace if necessary. See “Ordering Replacement Parts” on page 4.
4. Back the barrel nut counterclockwise until you hear an audible click of the threads engaging, and then tighten normally to prevent cross-threading on reassembly.

Figure 1 Four barrel nuts in dome



290A5678

### Replacing Panel Assembly

To replace the panel assembly:

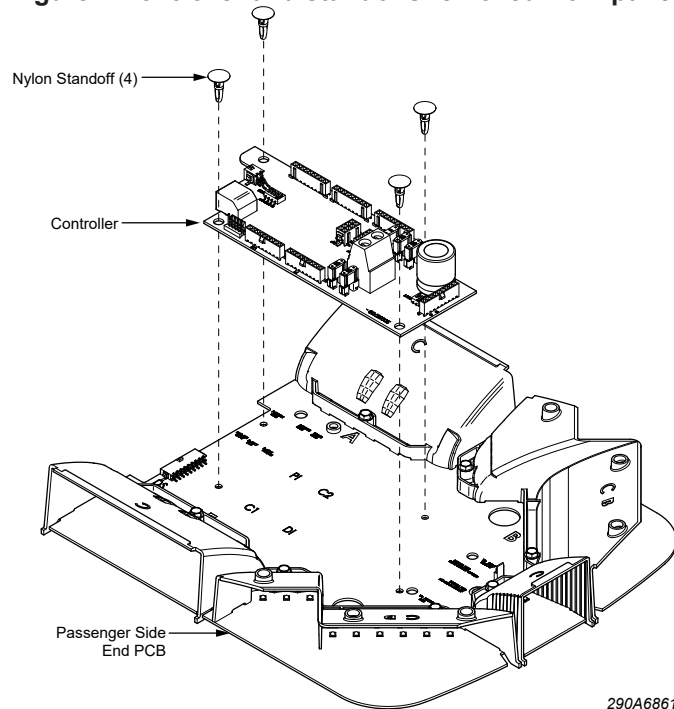
1. Remove the dome. (See “Removing and Inspecting the Dome” above.) Remove the PCB ground screw and invert the panel assembly.
2. Note and record the connections, and then disconnect the wires and harnesses.
3. If required, remove the controller. See “Replacing the PCB Controller” on page 3.
4. Assembly is the reverse of disassembly. Ensure that the ground leads are in place. Do not overtighten the screws.

## Replacing the PCB Controller

To replace the PCB controller:

1. Remove the passenger side end dome (See “Removing and Inspecting the Dome” on page 2.) Remove the PCB ground nut from the end PCB, and invert the PCB, noting ground lead placement on the ground bracket.
2. Note and record the connections, and then disconnect the wires and harnesses.
3. Compress the lock tab on the nylon standoffs and remove the controller with standoffs from the main PCB.
4. Compress the secondary lock tabs and remove the standoffs from the controller.
5. Assembly is the reverse of disassembly. Ensure that the ground leads are in place.

**Figure 2 Controller and standoffs removed from panel**



## Getting Technical Support

For technical support, please contact:

Federal Signal Corporation  
Service Department  
Phone: 1-800-433-9132  
Email: [empserviceinfo@fedsig.com](mailto:empserviceinfo@fedsig.com)

## Getting Repair Service

The Federal Signal factory provides technical assistance with any problems that cannot be handled locally. Any product returned to Federal Signal for service, inspection, or repair must be accompanied by a Return Material Authorization (RMA). Obtain a RMA from a local Distributor or Manufacturer's Representative. Provide a brief explanation of the service requested, or the nature of the malfunction.

## Installing the Legend and LPX Replacement Panel Assemblies

---

Address all communications and shipments to the following:

Federal Signal Corporation  
Service Department  
2645 Federal Signal Dr.  
University Park, IL 60484-3167

### Limited Warranty

This product is subject to and covered by a limited warranty, a copy of which can be found at [www.fedsig.com/SSG-Warranty](http://www.fedsig.com/SSG-Warranty). A copy of this limited warranty can also be obtained by written request to Federal Signal Corporation, 2645 Federal Signal Drive, University Park, IL 60484, email to [info@fedsig.com](mailto:info@fedsig.com) or call +1 708-534-3400.

This limited warranty is in lieu of all other warranties, express or implied, contractual or statutory, including, but not limited to the warranty of merchantability, warranty of fitness for a particular purpose and any warranty against failure of its essential purpose.

### Ordering Replacement Parts

To order replacement parts, call Customer Support at 1-800-264-3578, 7 AM to 5 PM, Monday through Friday (CT) or contact your nearest distributor.

**Table 1 Replacement Parts**

Description	Part Number
PCB Assembly, End (Configured)	Contact Customer Support
PCB Assembly, Intermediate (Configured)	Contact Customer Support
PCB Assembly, Center (Configured)	Contact Customer Support
PCB Assembly, Controller	Contact Customer Support
Fuse, Mini, 15 Amp	148181-06
Seal, Lip, Clear (5.5 ft per end section; 3.5 ft per center section)	8583020-01
O-Ring, Dome Nut	7067016
Standoff, Nylon	230315



**FEDERAL SIGNAL**  
Safety and Security Systems

2645 Federal Signal Drive  
University Park, Illinois 60484-3167

[www.fedsig.com](http://www.fedsig.com)

Customer Support

Police/Fire-EMS: 800-264-3578 • +1 708 534-3400

Work Truck: 800-824-0254 • +1 708 534-3400

Technical Support: 800-433-9132 • +1 708 534-3400

© Copyright 2006 - 2020 Federal Signal Corporation