

**INSTRUCTION SHEET  
FOR  
350213-04 Cuda TriOptic™ HARLEY-DAVIDSON MOTORCYCLE  
WINDSHIELD/COWL MOUNTING BRACKET**

**SAFETY MESSAGE TO INSTALLERS  
AND OPERATORS**

**⚠ WARNING**

People's lives depend on your safe installation of our products. It is important to read, understand and follow all instructions shipped with the products. In addition, listed below are some other important safety instructions and precautions you should follow:

- To properly install this mounting kit, you must have a good understanding of automotive systems, along with proficiency in the installation and use of safety warning equipment.
- **DO NOT** install equipment or route wiring in the deployment path of an airbag.
- When drilling into a vehicle structure, be sure that both sides of the surface are clear of anything that could be damaged.
- The mounting system should be periodically inspected to ensure that it is securely attached to the vehicle.
- File these instructions in a safe place and refer to them when maintaining and/or reinstalling the product.

**Failure to follow all safety precautions and instructions may result in property damage, serious injury, or death to you or others.**

**A. GENERAL.**

The Model 350213-04 is a bracket for mounting Cuda TriOptic light head devices to the windshield/cowl on Harley-Davidson motorcycles. This kit uses hardware supplied with Cuda TriOptic light heads.

**B. UNPACKING.**

After unpacking the kit, inspect it for damage that may have occurred in transit. If the unit has

been damaged, do not attempt to install or operate it. File a claim with the carrier, stating the extent of damage. Carefully check all envelopes, shipping labels, and tags before removing or destroying them. Ensure that the parts listed in the KIT CONTENTS LIST are included in the package.

**C. KIT CONTENTS LIST.**

Qty.	Description	Part No.
1	Mounting Bracket	8625248

**D. INSTALLATION.**

Insert mounting screws supplied with light head into bottom channel of extrusion. See instruction sheet packaged with light head for details.

1. See figure 1. Secure the mounting bracket to the light head using the #8-32 KEPS nuts supplied with light head. Ensure that drain holes in the light head will be pointing down when installed on vehicle. Refer to instructions packaged with light head for details.

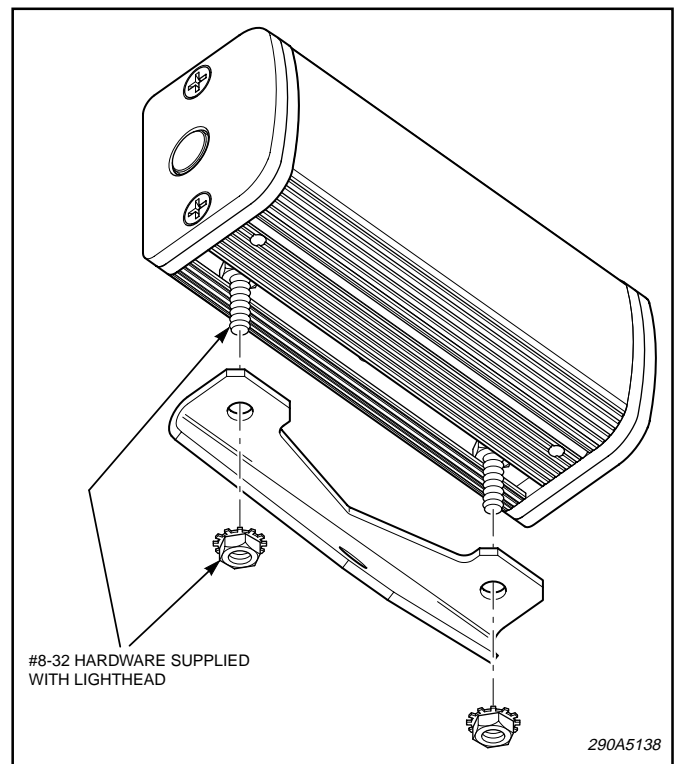


Figure 1.

2. See figure 2. Remove and retain screw from cowl as indicated. Secure assembled bracket/ light head to cowl using previously removed screw. Align light head as desired and tighten screw.

3. For electrical connections refer to instructions packaged with light head. Test light head for proper operation.

#### E. OPERATION.

##### SAFETY MESSAGE TO OPERATORS

##### WARNING

**People's lives depend on your safe use of our products.**

**Listed below are some important safety instructions and precautions you should follow:**

- **Although your warning system is operating properly, it may not completely be effective. People may not see or heed your warning signal. You must recognize this fact and continue driving cautiously.**
- **Also, situations may occur which obstruct your warning signal when natural or man-made objects are between your vehicle and others, such as raising your hood or trunk lid. If these situations occur, be especially careful.**
- **At the start of your shift, you should ensure that the signal is securely attached and operating properly.**
- **Products attached to this bracket contain high intensity LED devices. To prevent permanent eye damage, DO NOT stare into the light beam at close range.**

**Failure to follow these safety precautions may result in property damage, serious injury, or death to you, to passenger, or to others.**

**RETAIN AND REFER TO THIS MESSAGE**

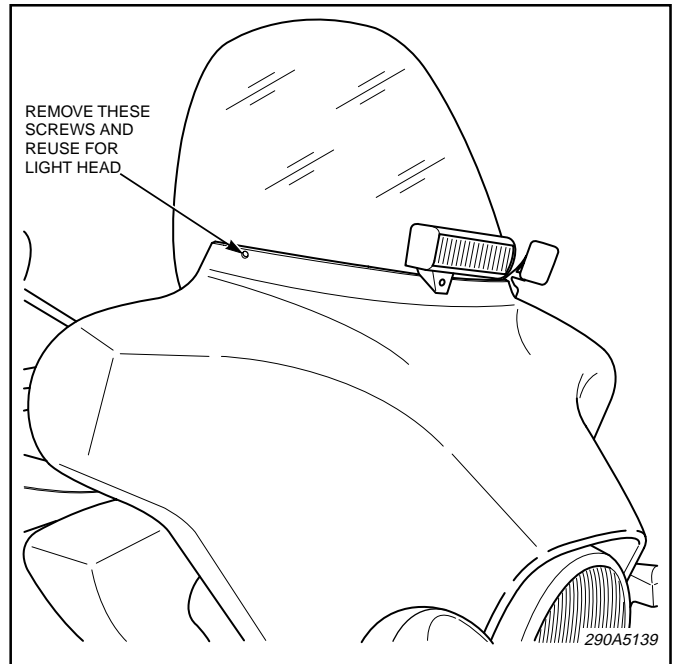


Figure 2.

#### F. MAINTENANCE.

Check periodically to ensure that all bracket fasteners are secure and that the intended light direction is maintained.

#### G. REPLACEMENT PARTS.

Contact your local dealer/distributor for replacement parts availability or contact the Federal Signal Service Department at:

Service Department  
Federal Signal Corporation  
2645 Federal Signal Drive  
University Park, IL 60466  
800-433-9132  
800-343-9706 (fax)  
empserviceinfo@fedsig.com