

BP Series

Speaker



BP100



BP200

FEATURES

BP100

- Features Neodymium driver for increased service life
- Unique design projects sound evenly to the front as well as to the sides of the vehicle
- Black finish helps prevent corrosion and increase service life
- 100 W speaker meets Class A standards when used with any Federal Signal siren
- Two-year warranty

BP200

- 200 W speaker features Neodymium driver for increased service life
- Designed to be attractively recess-mounted through the bumper of a vehicle
- Available with the stainless steel Electric "F" grille or the traditional Chrome Q-Siren® grille
- Sound output meets SAE J1849 and Class A
- Two-year warranty

Constructed of a sturdy, cast aluminium housing

The BP series speakers are designed to perform in all weather conditions and are compatible with most Federal Signal sirens.

Revolutionary Design

The dual diverging manifold design of the BP100 and BP200 projects sound more uniformly than conventional speakers. This means more sound projection to both sides, as well as to the front of the vehicle.

BP100 Speaker

The patented design of the BP100 speaker allows sound to project forward and effectively reduced compartment noise. The BP100 also complies with Class A specifications when used with a Federal Signal siren.

BP200 Speaker

The BP200 speaker incorporates two 100-watt Neodymium drivers to produce a full 200-watt of output. Designed to flush mount through the bumper of a vehicle attractively, the BP200 is available with a choice of two grilles. As a fire truck siren, the BP200-EF includes a polished, stainless steel "Electric F" grille. The BP200-Q includes a backplate and the classic chrome-plated "Q" grille, a staple in the fire industry.

BP Series mounting options

The BP series of compact speakers are available with various mounting options to perfectly fit specific applications. Choose from a selection of BP100 mount kits or select a BP200 model, which includes an integral mounting bracket and hardware.

APPROVALS

- BP100 speaker meets Class A standards when used with any Federal Signal siren
- BP200 Sound output meets SAE J1849 and Class A

HOW TO ORDER

BP100	100 W, Black
BP200-EF	200 W, Stainless steel Electric "F" grille, recess mount
BP200-Q	200 W, Chrome Q-Siren grille, recess mount

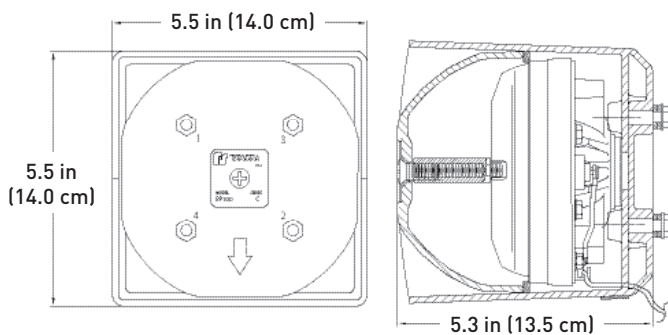
ACCESSORIES AND KITS

BPMT	Kit, universal bumper mount
BPFMT-EF	Recess mount, stainless steel Electric "F" grille

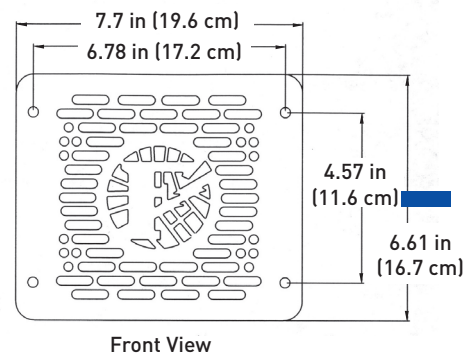
SPECIFICATIONS

	BP100	BP200-EF	BP200-Q
POWER	100 W	200 W	200 W
HOUSING MATERIAL	356 Aluminium		
OPERATING TEMP.	-40° to +176° F (-40° to +80° C)		
INPUT VOLTAGE	32 Vrms		
PHYSICAL SPECIFICATIONS			
LENGTH	5.5 in (14.0 cm)	7.7 in (19.6 cm)	7.7 in (19.6 cm)
WIDTH	5.3 in (13.5 cm)	7.8 in (19.8 cm)	7.8 in (19.8 cm)
HEIGHT	5.5 in (14.0 cm)		
SHIP WEIGHT			
	14 lb (6.4 kg)	2 lb (9.5 kg)	24 lb (10.9 kg)

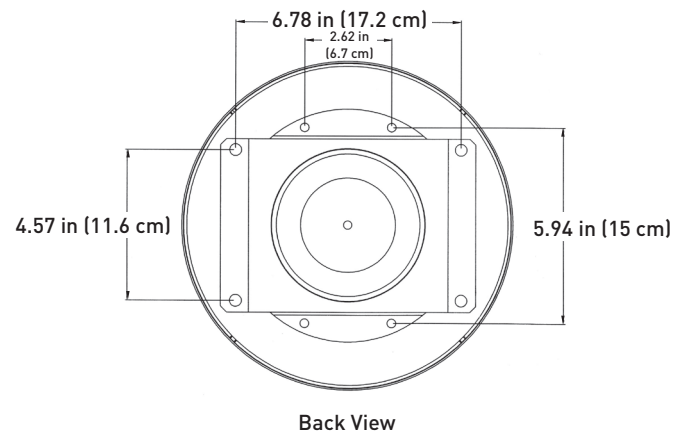
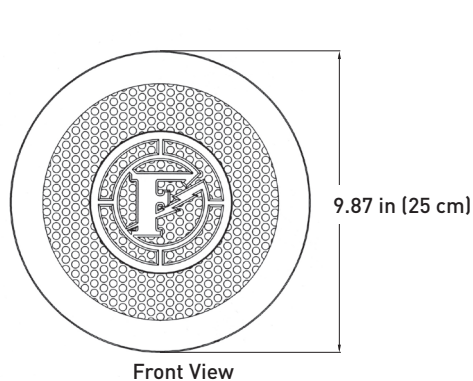
BP100



BP200-EF GRILLE



BP200-Q GRILLE AND BACKPLATE



Warning: Sirens and Speakers may produce LOUD sounds necessary to request the right-of-way. Sirens and Speakers may cause hearing damage. Wear hearing protection.