



325039



325541

▶ Tractor and Utility Lights | Area Lighting

FEATURES

- High powered halogen beam.
- Available in 4.75" - PAR 36, 6.50" - PAR 46 and rectangle.
- Adjustable vertical and horizontal mounts.
- Vibration resistant construction.
- Resistant to heat and inclement weather.
- Heavy gauge metal brackets.
- Standard flood beam pattern.

APPLICATIONS

- Tractors
- Pick-up trucks
- Tow and recovery vehicles
- Recreational vehicles
- Off-road vehicles

Work lamps from Federal Signal are built to go the distance, enduring the toughest punishment any application can dish out.

Standard Round Tractor Lamps (325039, 325040-not pictured)

These lamps feature rubber housings with zinc-plated steel brackets that permit both horizontal and vertical adjustment. They use halogen sealed beam lamps for effective area lighting.

Rectangular Tractor Lamp (325541)

The rectangular tractor lamp offers a rubber housing with a zinc-plated steel bracket. The bracket allows the user to adjust the lamp horizontally and vertically to put light wherever it is needed. This model also comes with a 1/2" mounting stud.

Magnetic Mount Work Lamp (325048-not pictured)

This lamp is ideal for illuminating emergency repairs. It features a single-pole rotary on/off switch, an anti-scratch pad, and a vibration absorbing, corrosion resistant rubber housing. This lamp also comes with a cigarette lighter plug and 9' coiled cord.

Off-Road High Intensity Lamp (323552-not pictured)

This high power lamp is impervious to shock, making it perfect for off-road applications. It features a steel housing with a vertically adjustable mounting bolt, and it also uses a halogen sealed beam lamp that produces 200,000 candlepower.



HOW TO ORDER

Specify model

4.75" Par 36

- 325039 Work lamp, 55W, flood pattern
- 325048 Utility lamp, magnet mount

6.50" Par 46

- 325040 Work lamp, 55W, flood pattern
- 323552 Utility lamp, high-intensity, metal housing

Rectangular

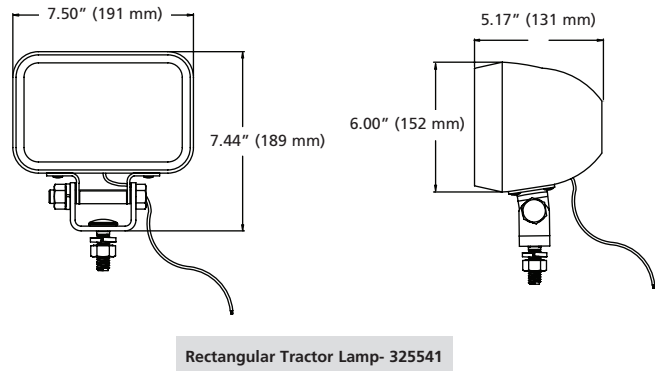
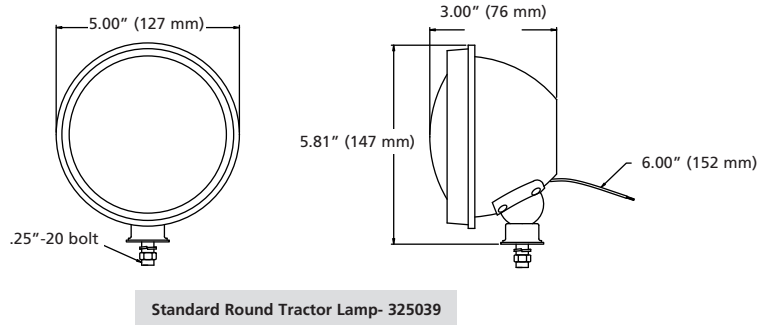
- 325541 Work lamp, sealed beam, flood pattern

Accessories

- 360800 Wire guard for PAR 36 models
- 360900 Wire guard for PAR 46 models

Common Replacement Parts

- 325045 4.75" rubber housing with bolt
- 325046 6.50" rubber housing with bolt
- 620504 Bulb, H3, 24VDC, 65W
- 620510 Bulb, H3, 12VDC, 55W



SPECIFICATIONS

	325039	325040	325541	325048	323552
Specifications					
Amp Draw	4.30	4.30	8.60	2.73	7.69
Wattage Lamp	55W	55W	55W (2)	35W	100W
Beam Spread (H. x V.)	Flood	30° x 25°	Flood	30° x 25°	11° x 6° or Flood
Physical Specifications					
Height	5.0 in (12.7 cm)	6.3 in (15.9 cm)	6.6 in (11.9 cm)	5.0 in (12.7 cm)	6.3 in (15.9 cm)
Diameter	3.0 in (7.6 cm)	4.5 in (11.4 cm)	7.5 in (19.1 cm)	3.0 in (7.6 cm)	3.75 in (9.5 cm)
Ship Weight					
	1.4 lbs (0.6 kg)	2.1 lbs (0.9 kg)	3.6 lbs (1.6 kg)	2.6 lbs (1.2 kg)	2.1 lbs (0.9 kg)

