

## INSTALLATION INSTRUCTIONS FOR JERR-DAN MOUNTING KIT

### SAFETY MESSAGE TO INSTALLERS OF LIGHT SYSTEMS

#### ⚠ WARNING

People's lives depend on your safe installation of our products. It is important to read, understand and follow all instructions shipped with the products. In addition, listed below are some other important safety instructions and precautions you should follow:

- To properly install a light assembly: you must have a good understanding of automotive electrical procedures and systems, along with proficiency in the installation and use of safety warning equipment.
- When drilling into a vehicle structure, be sure that both sides of the surface are clear of anything that could be damaged.
- A light system is a high current device. In order for it to function properly, a separate ground connection must be made. If practical, it should be connected to the negative battery terminal. At a minimum, it may be attached to a solid metal body or chassis part that will provide an effective ground path as long as the light system is to be used.
- Locate light system controls so the VEHICLE and CONTROLS can be operated safely under all driving conditions.
- You should frequently inspect the light system to ensure that it is operating properly and that it is securely attached to the vehicle.
- File these instructions in a safe place and refer to them when maintaining and/or re-installing the product.

Failure to follow all safety precautions and instructions may result in property damage, serious injury, or death to you or others.

### A. GENERAL.

This instruction sheet provides directions and parts for installing the Jet family of light bars on a Jerr-Dan carrier towing and recovery vehicle. Before proceeding with the installation ensure that the parts listed in the KIT CONTENTS LIST are included.

### B. KIT CONTENTS LIST.

Qty.	Description	Part Number
4	Bolt, Carriage Head	8552656A
2	Adapter, Jerr-Dan	8552653A
4	Lockwasher, Split	7074A046
4	Nut, 3/8-16, Acorn	7054016

### C. INSTALLATION.

#### CAUTION

The Jerr-Dan mounting kit is designed to fit Jerr-Dan carrier style towing and recovery vehicles which have been fitted with compatible light bar mounting brackets at the Jerr-Dan factory. Use of this kit on other vehicle configurations is not recommended.

1. Remove and retain the two screws, located at the identification plate, at one end of a dome assembly. Slide the dome assembly out about 4 to 5 inches, along the slots in the extrusion, as shown in figure 1.

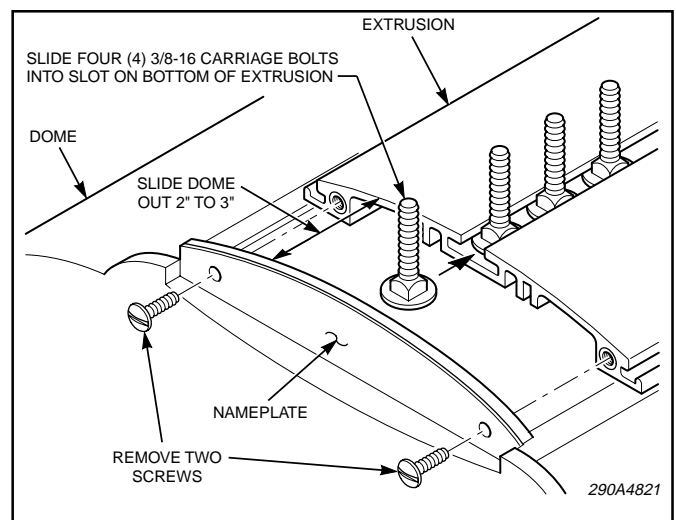


Figure 1.

2. Place soft cloths on the work surface to prevent scratching the domes. Carefully turn the light assembly upside down so that it rests on the dome assemblies.

3. Slide the four 3/8-16 carriage bolts into the slot in the extrusion as shown in figure 1.

4. Slide the dome assembly back into position and secure using the previously removed screws.

5. Secure the light assembly to the flat mounting brackets using the adapters (one on each side of the light assembly), 3/8-16 acorn nuts and 3/8" split lockwashers as shown in figure 2.

**IMPORTANT**

Clean, lightly oil, and torque the mounting bolts to 150 - 175 in-lb.

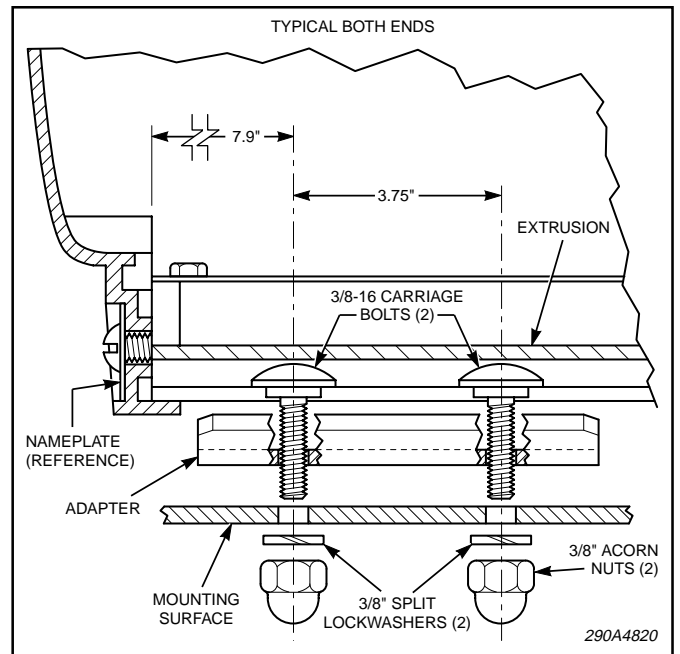


Figure 2.