

# Q-Siren®

Siren



## FEATURES

- The sound of the Q-Siren is a registered trademark of Federal Signal Corporation
- The distinct sound provides recognizable long-distance warning
- Utilizes a unique clutch design that provides a longer coast-down sound while reducing the amp draw
- Beautifully streamlined and polished electro-mechanical siren produces 123 decibels at 10-feet
- Available in traditional Chrome and Black Chrome
- Three-year warranty

### An Iconic Fire Truck Siren

It's not a fire truck unless it's got a Q-Siren. With more than 50 years of fire service tradition and history, the Federal Signal Q-Siren® (model Q2B®) is a beautifully streamlined, chrome-plated siren designed to provide unparalleled reliability for long-life operation. When mounted on a fire truck, the Q-Siren delivers a powerful warning sound, more than any other electromechanical siren.

The Q-Siren is available in traditional chrome and black chrome. The traditional chrome models are a compliment to the fire truck's chrome bumper finish while the black chrome is ideal for blacked out fire trucks.

### Longer Coast-Down Sound

A heavy-duty coaster clutch is standard on Q2B models. The unique coaster clutch design enables the siren to deliver a longer coast-down sound once power is removed to reduce battery drain. The "worry-free" clutch is subject to very little wear and requires no service attention or adjustments. Use the standard electric brake to silence the siren quickly.



## FS TECHNOLOGY



Q-Siren.  
Sound

*The distinctive sound of the Q-Siren electro-mechanical siren is a registered trademark owned by Federal Signal Corporation.*

### Pedestal or Recessed Mounting

The Q-Siren is available in two Q2B models. The Q2B-012PSD and Q2B-P-BLK comes with a pedestal for bumper mounting and the Q2B-012NNSD and Q2B-NN-BLK are designed for recessed mounting in the bumper.

For flat and curved apparatus bumpers, a special bracket, the Q-MT, is available. This rugged, durable mount is easy to install. Constructed of tough 3/8-inch steel, the Q-MT design protects the siren from the impact of rough roads.

### Hands-Free Operation

For increased convenience, the Q2B-SWKIT foot switch kit is also available. The kit comes with everything necessary to wire a foot switch to any Q2B model enabling the operator to power the siren "hands-free."



The Q-MT mount is designed for flat or curved bumpers on fire apparatus.

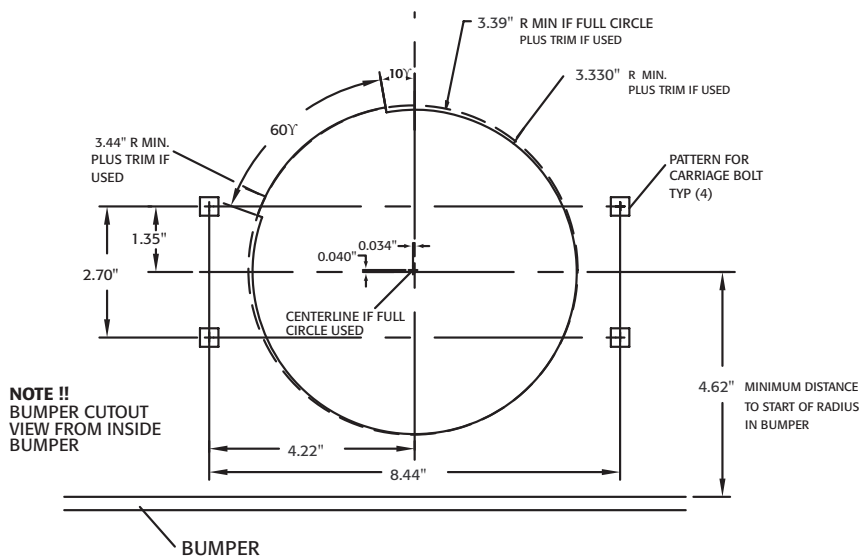
## HOW TO ORDER

Q2B-012NNSD	Chrome, recess mount
Q2B-012PSD	Chrome, pedestal mount
Q2B-NN-BLK	Black Chrome, recess mount
Q2B-P-BLK	Black Chrome, pedestal mount
<b>ACCESSORIES (OPTIONAL)</b>	
Q-MT	Kit, Q2B, bracket for recess mounting Q2B siren
Q2B-SWKIT	Kit, Q2B, Solenoid and Foot Switch
Z8280104B	Front grille, Q2B siren, Chrome
Z8280104B-BC	Front grille, Q2B siren, Black Chrome
Z828005206A	Front grille Assembly, 75th emblem, Chrome
Z828005206A-BC	Front grille Assembly, 75th emblem, Black Chrome

## SPECIFICATIONS

INPUT VOLTAGE	12 Vdc
INPUT CURRENT, OPERATING	100 A
OPERATING TEMP.	-22° to +149° F (-30° to +65° C)
SOUND OUTPUT	123 dB @ 10 ft
<b>PHYSICAL SPECIFICATIONS</b>	
HEIGHT	10.3 in (26.2 cm)
WIDTH	13.6 in (34.5 cm)
DIAMETER	9.9 in (25.1 cm)
SHIP WEIGHT	49.0 lb (23.0 kg)

## BUMPER CUTOUT FOR Q-SIREN (Q-MT)



## MOUNTING DIAGRAM FOR PEDESTAL MOUNT

