

25500739 Rev A0 0521

Safety Message to Installers of Warning Light Equipment
⚠ WARNING

People's lives depend on your safe installation of our products. It is important to read, understand and follow all instructions shipped with the products. Listed below are some other important safety instructions and precautions you should follow:

- To properly install a light assembly, you must have a good understanding of automotive electrical procedures and systems, along with proficiency in the installation and use of safety warning equipment.
- Before drilling into a vehicle structure, ensure that both sides of the surface are clear of anything that could be damaged.
- If a vehicle seat is temporarily removed, verify with the vehicle manufacturer if the seat needs to be recalibrated for proper airbag deployment.
- This product contains high-intensity LED devices. To prevent permanent eye damage, DO NOT stare into the light beam at a close range.
- Frequently inspect the light system to ensure that it is operating properly and that it is securely attached to the vehicle.
- Refer to the instructions packed with related products for additional precautions and information.
- File these instructions in a safe place and refer to them when maintaining or reinstalling the product.

Failure to follow all safety precautions and instructions may result in property damage, serious injury, or death.

Mounting Bracket for MPSC, MPS6U, and MPS3U Lights

This booklet has instructions for using the MPSM-LPH1 License Plate Mounting Bracket to mount the MPSC, MPS6U, or MPS3U light heads. The MPSM-LPH1 bracket is a general license plate holder with horizontal mounting tabs on each side that fits most vehicles.

Unpacking the Kit

After unpacking the kit, inspect it for damage that may have occurred in transit. If it has been damaged, do not attempt to install or operate it. File a claim immediately with the carrier, stating the extent of the damage. Carefully check all envelopes, shipping labels, and tags before removing or destroying them. Ensure that the parts listed in Table 1 are included in the package. If you are missing any parts, contact Customer Support at 1-800-264-3578, 7 a.m. to 5 p.m., Monday through Friday (CT).

Table 1 Kit contents

Qty.	Description	Part Number
1	Center Bracket	8613166
2	Horizontal End Bracket	861302558
4	#10 Pan-Head Steel TORX Screw	7011246A-06
4	6-32 Stainless Steel Phillips Pan Head Machine Screw	7000491A-08
4	6-32 Stainless Steel Keps Nut	7058A046

Installation Instructions for the MPSM-LPH1 License Plate Mounting Bracket Kit

Mounting the Light

⚠ WARNING

AIRBAG DEPLOYMENT: Do not install equipment or route wiring in the deployment path of an airbag. Failure to observe this warning will reduce the effectiveness of the airbag or potentially dislodge the equipment, causing serious injury or death.

IMPORTANT: Plan all cable routing before the installation.

NOTE: For electrical installation instructions, refer to the instructions packed with the light heads.

To mount the lights:

1. Route the wires from the lightheads through the brackets.

NOTICE

DO NOT OVERTIGHTEN SCREWS/NUTS: To avoid damage to the light heads, do not overtighten the screws and nuts.

2. Mount the light heads to the end brackets:
 - The MPSC mounts with the bezel and the two 6-32 screws and keps nuts included with this kit. See Figure 1 on page 3.
 - The MPS6U mounts with the two 6-32 screws and keps nuts included with this kit. See Figure 2 on page 3.
 - The MPS3U mounts with the two 6-32 screws and keps nuts included with this kit. See Figure 3 on page 4.
3. Mount the end brackets to the center bracket with the #10 Type B TORX screws. Do not tighten the screws yet.
4. Mount the light head/bracket assembly behind the license plate with user-supplied hardware.
5. Adjust the aim of the light heads, then tighten the #10 Type B TORX screws.
6. Connect the MPSC, MPS6U light heads, or MPS3U light heads as described in the instructions provided with the light heads.

⚠ WARNING

LIGHT HAZARD: To be an effective warning device, an emergency warning system produces bright light that can be hazardous to your eyesight when viewed at a close range. Do not stare directly into this lighting product at a close range, or permanent damage to your eyesight may occur.

7. Test the light heads for proper operation.

Installation Instructions for the MPSM-LPH1 License Plate Mounting Bracket Kit

Figure 1 MPSC light head mounted to license plate holder

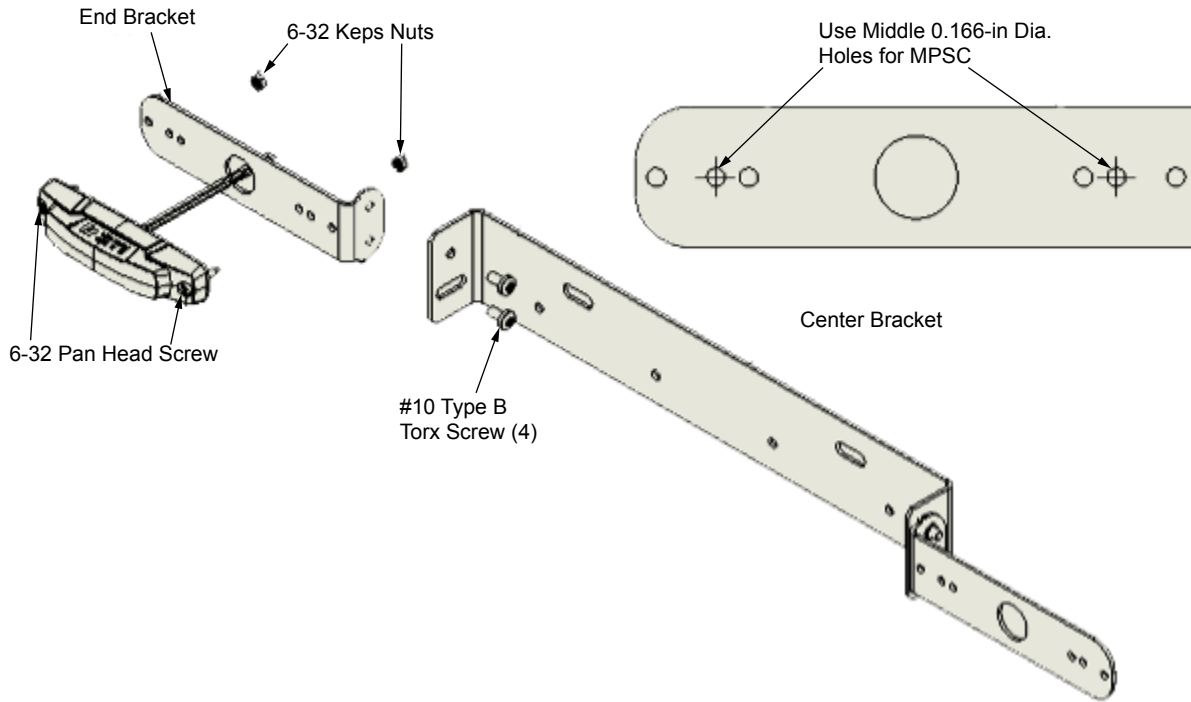
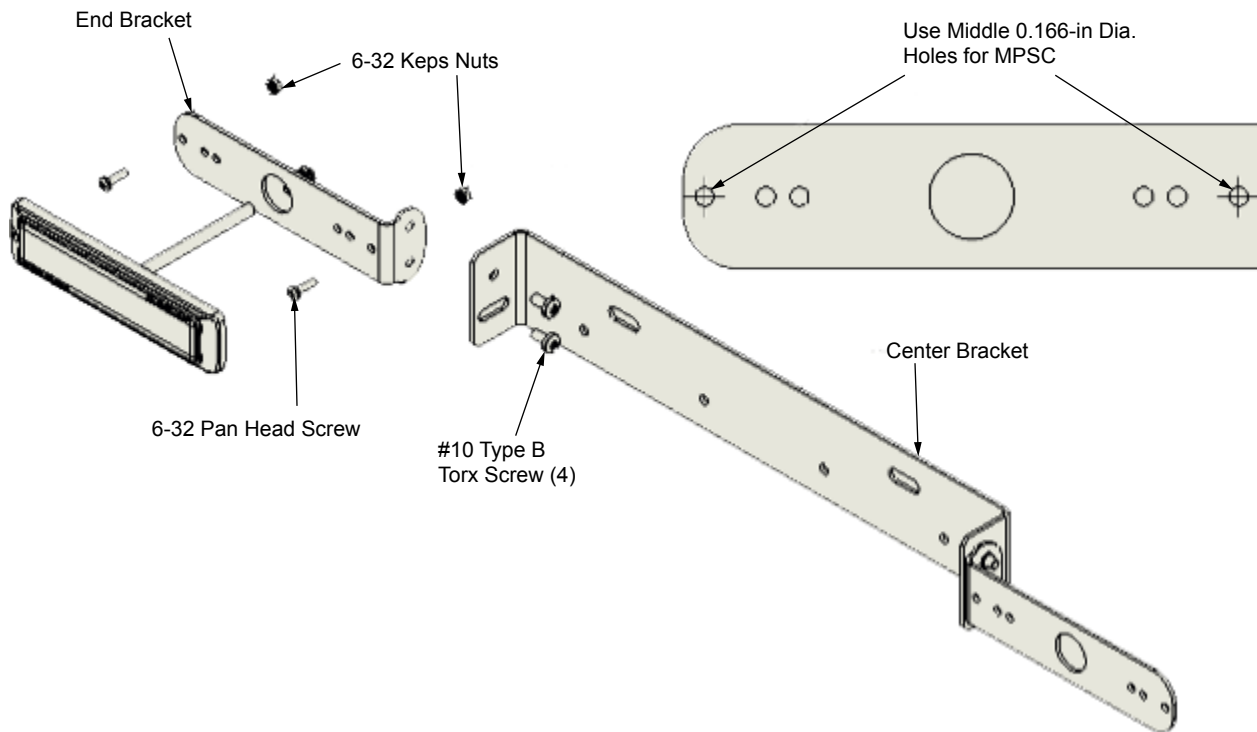
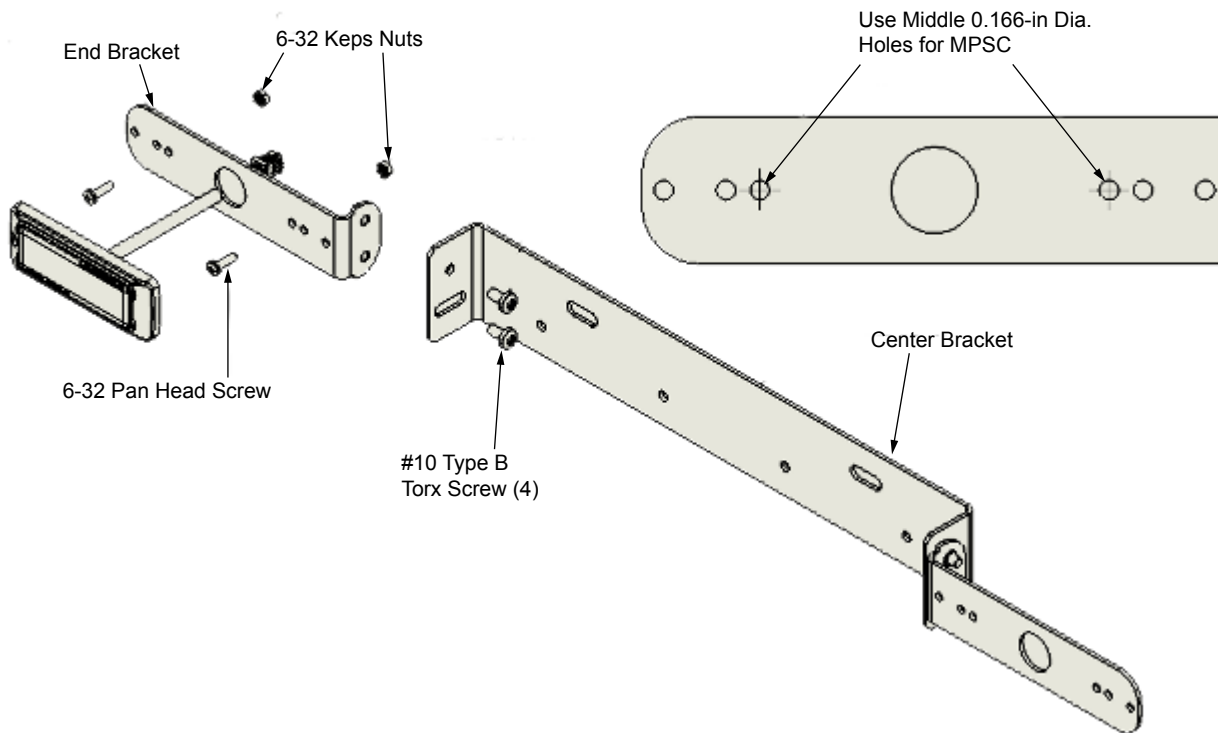


Figure 2 MPS6U light head mounted to license plate holder



Installation Instructions for the MPSM-LPH1 License Plate Mounting Bracket Kit

Figure 3 MPS3U light head mounted to license plate holder



2645 Federal Signal Drive
University Park, Illinois 60484-3167

www.fedsig.com

Customer Support

Police/Fire-EMS: 800-264-3578 • +1 708 534-3400

Work Truck: 800-824-0254 • +1 708 534-3400

Technical Support: 800-433-9132 • +1 708 534-3400

© Copyright 2021 Federal Signal Corporation

All product names or trademarks are properties of their respective owners.