

25500715 Rev. A0 0321

Safety Message to Installers of Warning Light Equipment

⚠ WARNING

People's lives depend on your proper installation and servicing of Federal Signal products. It is important to read and follow all instructions shipped with this product and the original product. Listed below are some other important safety instructions and precautions you should follow:

- To properly install a light assembly, you must have a good understanding of automotive electrical procedures and systems, along with proficiency in the installation and use of safety warning equipment.
- Do not install equipment or route wiring in the deployment path of an airbag.
- If a vehicle seat is temporarily removed, verify with the vehicle manufacturer if the seat needs to be recalibrated for proper airbag deployment.
- When drilling into a vehicle structure, be sure that both sides of the surface are clear of anything that could be damaged.
- To be an effective warning device, this product produces bright light that can be hazardous to your eyesight when viewed at close range. Do not stare directly into this lighting product at close range or permanent damage to your eyesight may occur.
- You should frequently inspect the light system to ensure that it is operating properly and that it is securely attached to the vehicle.
- Refer to the instruction sheets included with related products for additional precautions and information.
- File these instructions in a safe place and refer to them when maintaining or reinstalling the product.

Failure to follow all safety precautions and instructions may result in property damage, serious injury, or death.

Overview

This publication has instructions for using the MPSM6-GRL3 Grille Mounting Kit and MicroPulse® 6 light heads in the grille of the Chevrolet Tahoe. For electrical installation instructions, refer to the Installation and Maintenance Instructions packed with the light head.

NOTE: User supplied disconnects may be required on the wiring to ease assembly.

Unpacking the Kit

After unpacking the kit, inspect it for damage that may have occurred in transit. If it has been damaged, do not attempt to install or operate it. File a claim immediately with the carrier, stating the extent of damage. Carefully check all envelopes, shipping labels, and tags before removing or destroying them. Ensure that the parts listed in Table 1 on page 2 are included in the package. If you are missing any parts, contact Customer Support at 1-800-264-3578, 7 a.m. to 5 p.m., Monday through Friday (CT).

Table 1 Kit contents

Qty.	Description	Part Number
2	MPS6U 21TAH External Grille Bracket Assembly	861303627
4	MPS6U 21TAH Grille Bracket External Retaining Washer	861303628
8	#10-32 Stainless Steel El Stop Nut	7058061
8	#10 Stainless Steel Flat Washer	7072A015
8	#6-32 Stainless Steel Keps® Nut	7058A046
8	#6-32 Stainless Steel Phillips Pan Head Screw	7000491-08

Installing the Lights

IMPORTANT: Plan all cable routing before installation.

⚠ WARNING

AIRBAG DEPLOYMENT: Do not install equipment or route wiring in the deployment path of an airbag. Failure to observe this warning will reduce the effectiveness of the airbag or potentially dislodge the equipment, causing serious injury or death.

NOTICE

DRILLING PRECAUTIONS : Before drilling holes, check the area into which you plan to drill to ensure you do not damage vehicle components. All drilled holes should be deburred and all sharp edges should be smoothed. All wires going through drilled holes should be protected by a grommet or convolute/split-loom tubing.

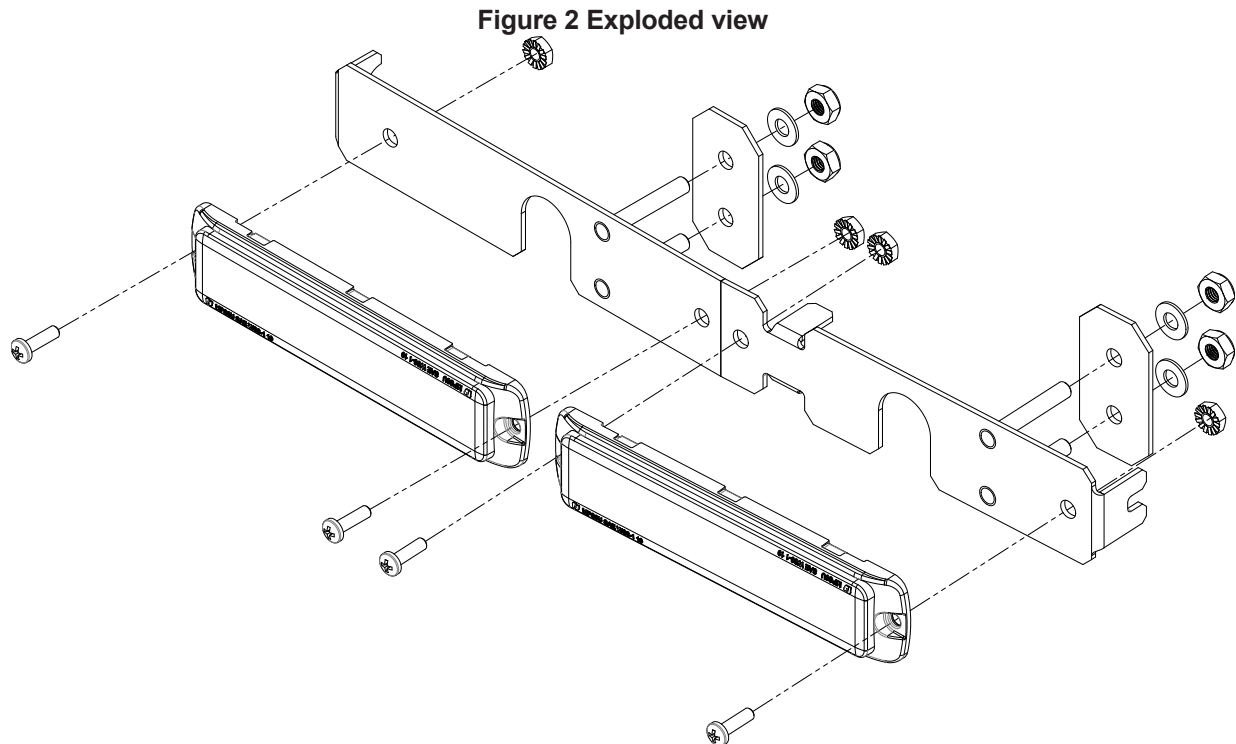
To install the light heads:

1. Remove the front fascia according to the vehicle manufacturer's instructions.
2. Attach the light heads to the bracket using the #6 screws and Keps nuts. The wire access slot will face down on the passenger side and up on the driver side.

Figure 1 Brackets positioned on vertical bars on grille



3. Attach the light head/bracket assembly to the grille in the location shown using the supplied retaining washer brackets, #10 washers and nuts.



4. Tighten the mounting hardware. Do not overtighten.
5. Repeat steps 2-4 for the opposite side of the grille.
6. Complete the wiring according to the instructions supplied with the light head.
7. Reassemble the vehicle according to the manufacturer's instructions.

⚠ WARNING

LIGHT HAZARD; To be an effective warning device, an emergency warning system produces bright light that can be hazardous to your eyesight when viewed at a close range. Do not stare directly into the lights at a close range or permanent damage to your eyesight may occur.

8. Test the lights for proper operation.

Getting Technical Support and Service

For technical support and service, please contact:

Service Department
Federal Signal Corporation
Phone: 1-800-433-9132
Email: empSERVICEinfo@fedSIG.com

Getting Repair Service

The Federal Signal factory provides technical assistance with any problems that cannot be handled locally. Any product returned to Federal Signal for service, inspection, or repair must be accompanied by a Return Material Authorization (RMA). Obtain a RMA from a local Distributor or Manufacturer's Representative. Provide a brief explanation of the service requested, or the nature of the malfunction.

Address all communications and shipments to the following:

Federal Signal Corporation
Service Department
2645 Federal Signal Dr.
University Park, IL 60484-3167

Limited Warranty

This product is subject to and covered by a limited warranty, a copy of which can be found at www.fedsig.com/SSG-Warranty. A copy of this limited warranty can also be obtained by written request to Federal Signal Corporation, 2645 Federal Signal Drive, University Park, IL 60484, email to info@fedsig.com or call +1 708-534-3400.

This limited warranty is in lieu of all other warranties, express or implied, contractual or statutory, including, but not limited to the warranty of merchantability, warranty of fitness for a particular purpose and any warranty against failure of its essential purpose.



FEDERAL SIGNAL Safety and Security Systems

2645 Federal Signal Drive
University Park, Illinois 60484

www.fedsig.com

Customer Support

Police/Fire-EMS: 800-264-3578 • +1 708 534-3400

Work Truck: 800-824-0254 • +1 708 534-3400

Technical Support 800-433-9132 • +1 708 534-3400

© 2021 Federal Signal Corporation

All product names or trademarks are properties of their respective owners.