



► Model 310-MV

AudioMaster® Two-Way Intercoms

Federal Signal's AudioMaster® 310-MV is an industrial intercom that provides reliable two-way communications and superior sound quality.

The AudioMaster 310-MV's standard features include volume control, call button, balanced line output, dust and watertight housing, listen/talk switch, remote device activation and the ability to power another intercom at 24 Vdc.

This heavy duty intercom will operate from -31° to 150°F (-35° to 66°C) in both indoor and outdoor applications. Remote device activation allows you to activate an auxiliary signal, such as a horn or light.

The AudioMaster 310-MV intercom is easy to operate. Press the toggle switch to talk and then release to listen. Additionally, press the call button to get the attention of personnel at another intercom.

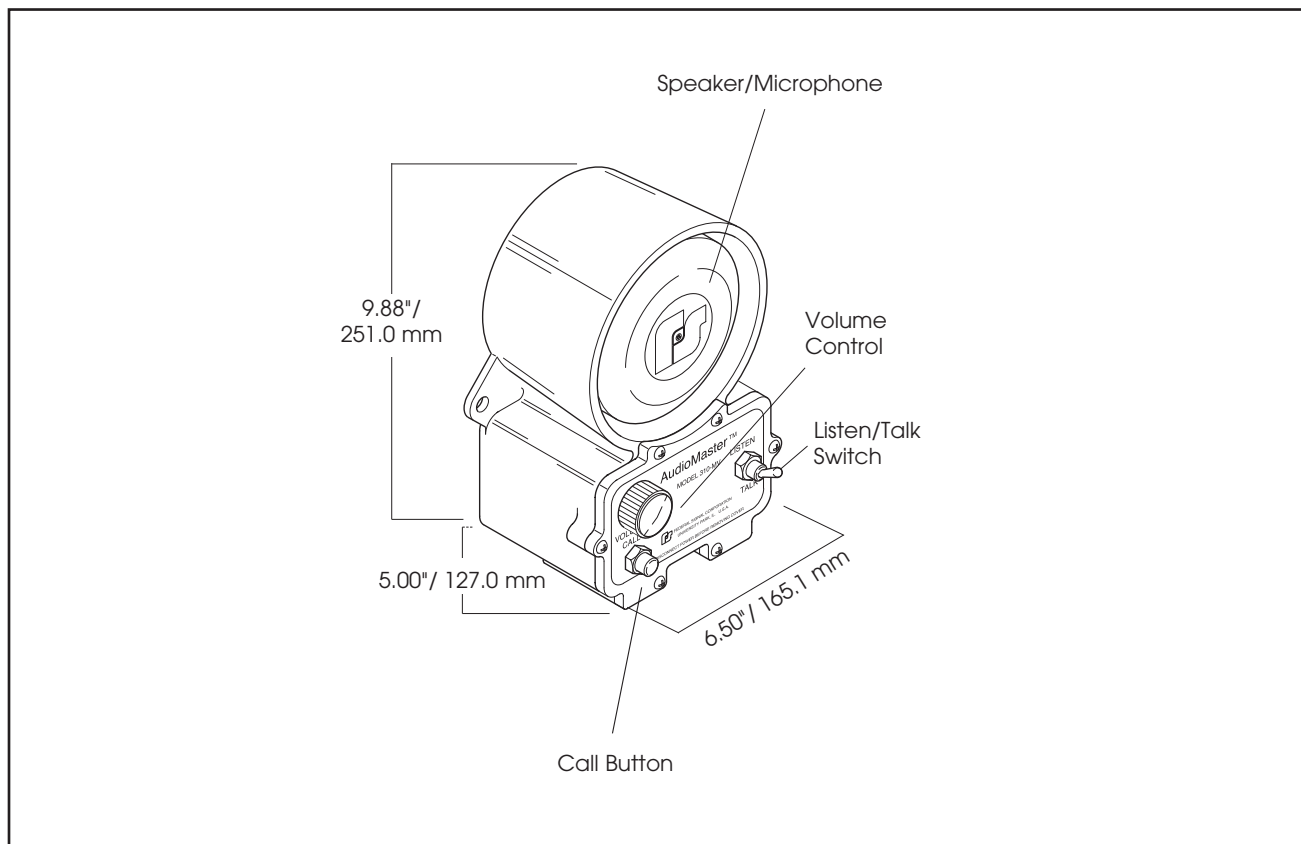
The 310-MV is ideal for use at oil refineries, petrochemical plants, offshore platforms, pulp and paper mills, water treatment facilities, airports, shipyards, or anywhere reliable two-way communication is important for safe and efficient operation.

FEATURES

- Multi-voltage design accepts 24 Vdc and 120 Vac/240 Vac
- Heavy-duty industrial intercom for indoor or outdoor applications
- Balanced line output
- Call button
- Indoor/outdoor use
- Talk/Listen switch
- Volume control
- Auxiliary remote signal contact
- Conformal coated PCB
- Type 4X, IP65 enclosure
- Marine Listed
- CSA Certified
- UL Listed

MODEL	VOLTAGE	OPERATING CURRENT	STANDBY CURRENT	FREQUENCY RESPONSE (-6 dBA)	INPUT IMPEDANCE
310-MV	24VDC	465 mA	62 mA	150Hz-12KHz	3400 Ohms
	120VAC 50/60Hz	163 mA	70 mA	150Hz-12KHz	3400 Ohms
	240VAC 50/60Hz	82 mA	35 mA	150Hz-12KHz	3400 Ohms

AudioMaster® Two-Way Intercom (310-MV)



S P E C I F I C A T I O N S

Speaker Rating:		25 watt
Operating Temperature:	-31°F to 150°F	-35°C to 66°C
Net Weight:	9.9 lb	4.5 kg
Shipping Weight:	11.5 lb	5.2 kg
Height:	9.88"	251.0 mm
Width:	6.50"	165.1 mm
Depth:	5.00"	127.0 mm

H O W T O O R D E R

Specify Model:

310-MV – Intercom, 24 Vdc / 120 Vac / 240 Vac, industrial, wall mount

R E P L A C E M E N T P A R T S

Description	Part Number
PC Board Assembly	K2001915C
Connector, 10 Pin	K140A326A-01
Gasket, rubber	K8590013B
Kit, potentiometer	K8590237A
Kit, toggle switch	K122A298A
Kit, call button and boot	K8590241A