



► Model 300GCX

SelecTone® Hazardous Location 15 W Amplified Speakers

Model 300GCX SelecTone® Amplified Speaker is designed to produce tones, digital voice messages, and live public address in harsh environments with high ambient noise levels.

The rugged speaker cone and projector are constructed of spun aluminum. The amplification circuitry, tone module, and gain control are contained in a housing constructed of diecast aluminum. All surfaces are sealed with powder-coat paint. Dust- and moisture-proof gaskets provide protection from the elements.

SelecTone Amplified Speakers are used individually or as part of a plant-wide emergency notification system. Model UTM Universal Tone Module with (32) tones, or model TM33-SD Custom Tone Module is plugged into a single SelecTone Amplified Speaker for stand-alone use or into a SelecTone Command Unit for plant-wide signaling.

For plant-wide signaling, a Connector Kit is installed into each SelecTone Amplified Speaker and wired to a central controller, SelecTone Command Unit or CommCenter® Digital Message Center. Command Units and CommCenters broadcast tones, voice messages, melodies, and live public address to an unlimited number of SelecTone Amplified Speakers.

Applications for SelecTone include emergency warning, evacuation, start/dismissal, public address, and process control signaling.



FEATURES

- Available in 24 Vac/dc, 120 Vac, and 240 Vac
- Reliable, solid-state circuitry
- Digital signal amplification
- Fused input and output
- Built-in gain control, adjustable between 0 dBa to 110 dBa at 10' (0 dBa to 120 dBa at 1 m)
- Cast copper-free aluminum housing, spun aluminum projector
- Type 4X, IP66 enclosure
- IP69K compliant
- Indoor/outdoor use
- CSFM Approved
- UL and cUL Listed for Class I, Division 2, Groups A, B, C, and D; Class II, Division 2, Groups F and G; Class III

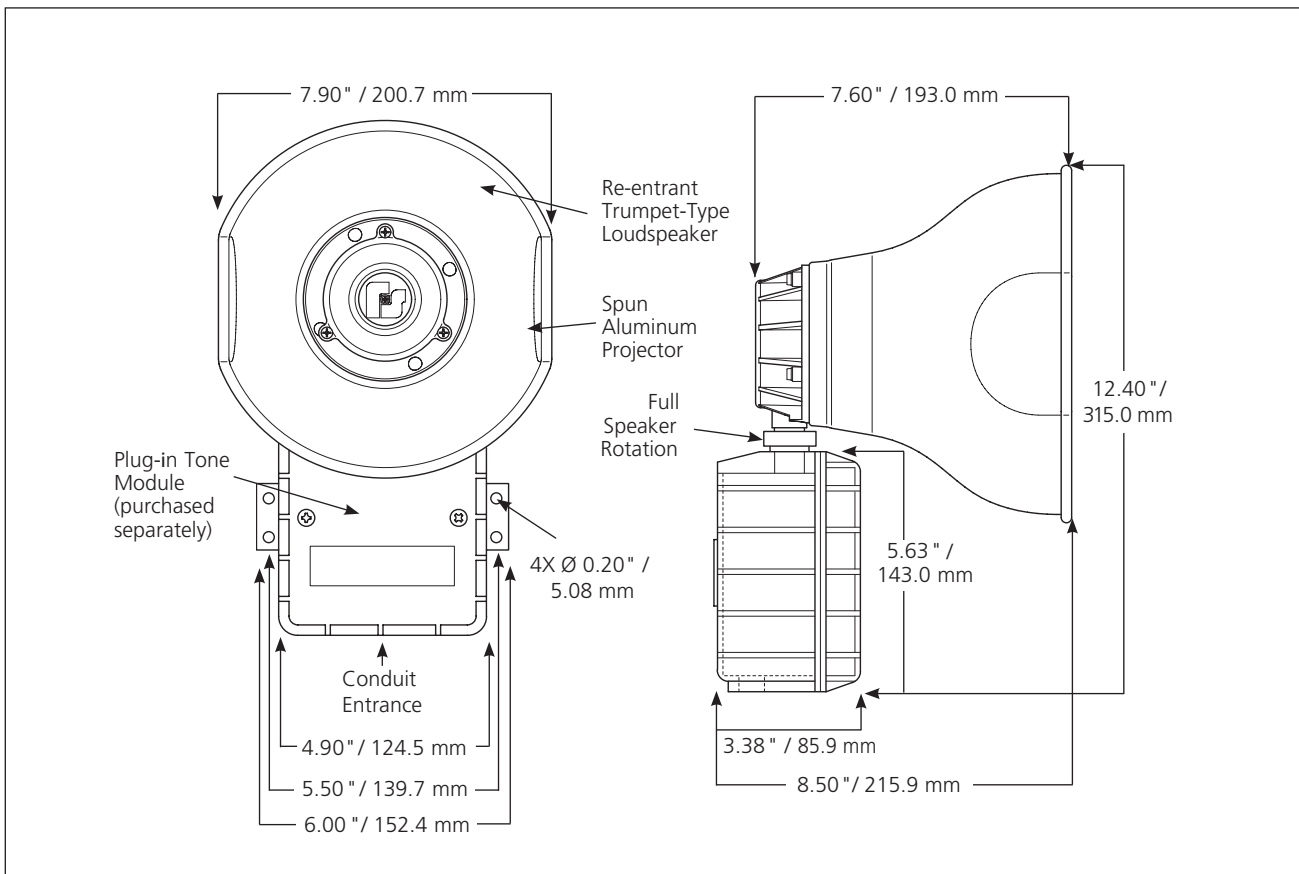
MODEL	OPERATING VOLTAGE	OPERATING CURRENT	STANDBY CURRENT*	DECIBELS	
				10'	1 m
300GCX-024	24 Vdc	0.67 A	50 mA	110	120
	24 Vac 50/60 Hz	0.90 A	100 mA	100	110
300GCX-120	120 Vac 50/60 Hz	0.20 A	30 mA	110	120
300GCX-240	240 Vac 50/60 Hz	0.10 A	15 mA	110	120

*When used as a powered loud speaker

HAZARDOUS LOCATION RATING: 300GCX

T-CODE AT MAXIMUM AMBIENT TEMPERATURE, °C

HAZARDOUS LOCATION	40°C	66°C
Class I, Division 2, Groups A, B, C, D	T3	T2C
Class II, Division 2, Groups F, G	T6	T6
Class III	T6	T6



SelecTone® Hazardous Location 15 W Amplified Speakers (300GCX)

SPECIFICATIONS

Operating Temperature:	-67° to 150°F (-55° to 66°C)
Rated Power:	15 watt
Net Weight:	
24 Vac/dc	5.5 lb (2.5 kg)
120/240 Vac	5.5 lb (2.5 kg)
Shipping Weight:	
24 Vac/dc	6.7 lb (3.0 kg)
120/240 Vac	6.7 lb (3.0 kg)
Height:	12.40 in (315.0 mm)
Width:	7.90 in (200.7 mm)
Depth:	8.50 in (215.9 mm)

HOW TO ORDER

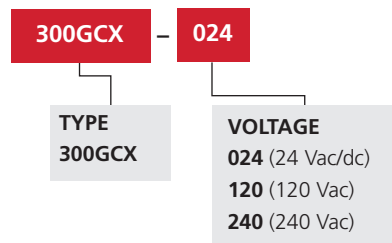
Description	Part Number
-------------	-------------

1. Select Model

2. Select Required Accessory (sold separately):

A. For stand-alone operation, select Tone Module:	
Universal Tone Module	UTM
Custom Tone Module	TM33-SD
B. For use in systems*, select Connector Kit:	
25 V _{rms} , 1 V _{rms}	AM25CK
70 V _{rms} , 1 V _{rms}	AM70CK
10 V _{rms} , 1 V _{rms}	300CK
2.7 V _{rms} , 1 V _{rms}	T-300CK
1 V _{rms} , 1 V _{rms}	E-300CK

*Call the factory for design assistance



ACCESSORIES

Description	Part Number
Speaker Rotational Mounting Kit	SEL-KIT-RS

REPLACEMENT PARTS

Description	Part Number
PCBA, Amp Motherboard, 15 W, 24 Vac/dc	K2001961B-05
PCBA, Amp Motherboard, 15 W, 120/240 Vac	K2001961B-04
Amplifier PCBA, 15 W	K2005502D-02
XFMR, 15 W, 120 Vac, 1.3 A	K120857A
XFMR, 15 W, 240 Vac, 1.3 A	K120858A
Speaker Assembly, 15 W	K8593082A
Voice Coil, 15 W	K8593035A
Gasket	K288A043